

Durham E-Theses

Phytosociology and community boundaries of the British heath foundation

Bridgewater, P.

How to cite:

Bridgewater, P. (1970) *Phytosociology and community boundaries of the British heath foundation*, Durham theses, Durham University. Available at Durham E-Theses Online:
<http://etheses.dur.ac.uk/9690/>

Use policy

The full-text may be used and/or reproduced, and given to third parties in any format or medium, without prior permission or charge, for personal research or study, educational, or not-for-profit purposes provided that:

- a full bibliographic reference is made to the original source
- a [link](#) is made to the metadata record in Durham E-Theses
- the full-text is not changed in any way

The full-text must not be sold in any format or medium without the formal permission of the copyright holders.

Please consult the [full Durham E-Theses policy](#) for further details.

APPENDIX I

Synopsis of classification employed in
Section V.



APPENDIX I.

SYNOPSIS OF CLASSIFICATION

I. Erica cinerea heath

1. THYMUS DRUCEI COMPLEX

- (a) Genista pilosa community
 - (i) Hypnum ericetorum variant.
 - (ii) Campanula rotundifolia variant.
 - (iii) Carex flacca variant.
 - (α) Ulex gallii sub-variant.
 - (β) Hieracium sect. glandulosi sub-var.
 - (γ) Erica vagans sub-var.
 - (δ) Daucus gummifer sub-var.
- (b) Daucus gummifer-Dactylis glomerata community
 - (i) Genista tinctoria variant.
 - (α) Armeria maritima sub-var.
 - (ii) Rumex acetosa variant.
 - (α) Ulex europaeus sub-var.
 - (iii) Cladonia rangiformis variant.
 - (iv) Anthoxanthum odoratum variant.
- (c) Thymus drucei community
 - (i) Pedicularis sylvatica variant.
 - (ii) Erica tetralix variant.
 - (iii) Hypnum ericetorum variant.
 - (iv) Agrostis tenuis variant.
 - (α) Luzula campestris sub-var.
 - (β) Anthoxanthum odoratum sub-var.
 - (v) Koeleria cristata variant.
- (d) Hydrocotyle vulgaris community
- (e) Carex panicea community
 - (i) Breutelia chrysocoma variant.
 - (ii) Prunella vulgaris variant.

2. ULEX GALLII - AGROSTIS SETACEA COMPLEX

- (a) Erica ciliaris community
 - (i) Carex panicea variant.
 - (ii) Diplophyllum albicans variant.
 - (iii) Erica tetralix variant.

- (b) Vaccinium myrtillus community
 - (i) Deschampsia flexuosa variant.
 - (a) Cladonia spp. sub-var.
 - (ii) Erica tetralix variant.

- (c) Erica tetralix community
 - (i) Sieglingia decumbens variant.
 - (a) Agrostis setacea sub-var.
 - (B) Calypogeia arguta sub-var.
 - (ii) Cladonia spp. variant.
 - (a) Carex binervis sub-var.

- (d) Agrostis setacea community
 - (i) Erica tetralix variant.

- (e) Viola lactea community
 - (i) Betonica officinalis variant.
 - (a) Campylopus introflexus sub-var.
 - (B) Plantago maritima sub-var.
 - (iii) Hypericum humifusum variant.
 - (a) Holcus lanatus sub-var.

- (f) Agrostis tenuis community

- (g) Sieglingia decumbens community
 - (i) Carex binervis variant.
 - (ii) Anthoxanthum odoratum variant.
 - (a) Vaccinium myrtillus sub-var.

3. ERICA VAGANS COMPLEX

(a) Erica tetralix community

- (i) Anagallis tenella variant.
 - (α) Carex demissa sub-var.
 - (β) Zygonium ericetorum sub-var.
- (ii) Genista anglica variant.
- (iii) Agrostis setacea variant.

(b) Daucus gummifer community

- (i) Carlina vulgaris variant.
- (ii) Geranium sanguineum variant.

4. ULEX GALLII COMPLEX

(a) Festuca rubra community

- (i) Agrostis montana variant.
 - (α) Campanula rotundifolia sub-var.
- (ii) Hypnum ericetorum variant.

(b) Ulex gallii community

- (i) Molinia caerulea variant.
 - (α) Hypnum ericetorum sub-var.
- (ii) Ulex europaeus variant.
- (iii) Scirpus caespitosus variant.

(c) Carex flacca community

- (i) Lotus corniculatus variant.

(d) Polytrichum piliferum community

- (i) Digitalis purpurea variant.
 - (α) Teucrium scorodonia sub-var.
- (ii) Cladonia squamosa variant.

5. ERICA CILIARIS COMPLEX

(a) Ulex minor community

- (i) *Scirpus caespitosus* variant.
 - (α) *Zygonium ericetorum* sub-var.
 - (β) *Linum catharticum* sub-var.
 - (γ) *Ulex europaeus* sub-var.

(b) Erica ciliaris community

- (i) *Lythrum salicaria* variant.
- (ii) *Narthecium ossifragum* variant.
 - (α) *Shoenus nigricans* sub-var.
 - (β) *Eriophorum angustifolium* sub-var.

6. VACCINIUM MYRTILLUS COMPLEX

(a) Hylocomium splendens community

(b) Pohlia nutans community

- (i) *Erica tetralix* variant.
 - (α) *Nardus stricta* sub-var.
- (ii) *Carex binervis* variant.
 - (α) *Anthoxanthum odoratum* sub-var.
 - (β) *Cladonia crispata* sub-var.

(c) Agrostis setacea community

(d) Sieglingia decumbens community

- (i) *Nardus stricta* variant.

7. ARCTOSTAPHYLOS UVA-URSI COMPLEX

(a) Vaccinium vitis-idaea community

(b) Arctous alpina community

- (i) *Juniperus nana* variant.
 - (α) *Pleurozia purpurea* sub-var.

8. ULEX EUROPAEUS COMPLEX

(a) Ulex europaeus community

- (i) Erica tetralix variant.
- (ii) Serratula tinctoria variant.
 - (α) Sieglingia decumbens sub-var.

9. TEUCRIUM SCORODONIA COMPLEX

(a) Teucrium scorodonia community

- (i) Agrostis stolonifera variant.
- (ii) Festuca ovina variant.
 - (α) Luzula campestris sub-var.
 - (β) Geranium sanguineum sub-var.

10. SCIRPUS CAESPITOSUS COMPLEX

(a) Scirpus caespitosus community

- (i) Diplophyllum albicans variant.
- (ii) Carex binervis variant.
 - (α) Juncus squarrosus sub-var.

(b) Agrostis tenuis community

- (i) Carex pulicaris variant.
- (ii) Carex flacca variant.
 - (α) Carex hostiana sub-var.

II. Calluna vulgaris heath

1. ULEX MINOR COMPLEX

(a) Erica tetralix community

- (i) Leucobryum glaucum variant.
- (ii) Betula spp. variant.
- (iii) Pteridium aquilinum variant.

- (iv) *Agrostis setacea* variant.
 - (α) *Pteridium aquilinum* sub-var.
 - (β) *Ulex europaeus* sub-var.
 - (γ) *Zygonium ericetorum* sub-var.
 - (δ) *Campylopus brevipilus* sub-var.
- (b) *Deschampsia flexuosa* community
 - (i) *Festuca rubra* variant.
 - (ii) *Vaccinium myrtillus* variant.
 - (α) *Agrostis setacea* sub-var.
- (c) *Ulex minor* community
 - (i) *Agrostis setacea* variant.
 - (ii) *Ulex europaeus* variant.

2. DESCHAMPSIA FLEXUOSA COMPLEX

- (a) *Erica cinerea* community
 - (i) *Pteridium aquilinum* variant.
 - (α) *Pohlia nutans* sub-var.
 - (ii) *Quercus* spp. variant.
- (b) *Deschampsia flexuosa* community
 - (i) *Betula* spp. variant.
 - (α) *Vaccinium myrtillus* sub-var.
 - (ii) *Quercus* spp. variant.
 - (α) *Polytrichum commune* sub-var.
 - (β) *Luzula campestris* sub-var.
 - (γ) *Potentilla erecta* sub-var.

3. ERICA CINEREA COMPLEX

- (a) *Carex arenaria* community
 - (i) *Cornicularia aculeata* variant.
 - (ii) *Rosa pimpinellifolia* variant.
 - (α) *Plantago coronopus* sub-var.
 - (iii) *Cladonia coccifera* variant.
 - (iv) *Potentilla erecta* variant.
 - (v) *Erica tetralix* variant.

(b) Diplophyllum albicans community

- (i) *Agrostis stolonifera* variant.
- (ii) *Agrostis tenuis* variant.
 - (α) *Cladonia chlorophaea* sub-var.
- (iii) *Usnea sub-florida* variant.

4. FESTUCA RUBRA COMPLEX

(a) Carex arenaria community

- (i) *Pteridium aquilinum* variant.
 - (α) *Ulex gallii* sub-var.
 - (β) *Deschampsia flexuosa* sub-var.
- (ii) *Sarothamnus scoparius* variant.
- (iii) *Erica cinerea* variant.
 - (α) *Ammophila arenaria* sub-var.
 - (β) *Cuscuta epithymum* sub-var.

(b) Agrostis tenuis community

- (i) *Lotus corniculatus* variant.
- (ii) *Sieglingia decumbens* variant.
 - (α) *Holcus lanatus* sub-var.
 - (β) *Potentilla erecta* sub-var.

(c) Festuca rubra community

- (i) *Cladonia impexa* variant.
 - (α) *Luzula campestris* sub-var.

5. POHLIA NUTANS COMPLEX

(a) Pohlia nutans community

- (i) *Erica tetralix* variant.
 - (α) *Scirpus caespitosus* sub-var.
 - (β) *Cladonia coccifera* sub-var.
- (ii) *Cladonia coccifera* variant.

6. SIEGLINGIA DECUMBENS COMPLEX

(a) Sieglingia decumbens community

- (i) Campanula rotundifolia variant.
- (ii) Brachypodium pinnatum variant.

7. ULEX GALLII COMPLEX

(a) Ulex gallii community

- (i) Campylopus flexuosus variant.
 - (α) Cladonia uncialis sub-var.
- (ii) Carex arenaria variant.
- (iii) Festuca rubra variant.
 - (α) Carex pilulifera sub-var.

III. Vaccinium myrtillus heath

1. POHLIA NUTANS COMPLEX

(a) Melampyrum pratense community

- (i) Cladonia chlorophaea variant.
 - (α) Cladonia coccifera sub-var.
 - (β) Erica cinerea sub-var.
 - (γ) Vaccinium vitis-idaea sub-var.
- (ii) Galium saxatile variant.

(b) Pohlia nutans community

- (i) Vaccinium vitis-idaea variant.
- (ii) Cladonia chlorophaea variant.
 - (α) Nardus stricta sub-var.
 - (β) Cladonia coccifera sub-var.

2. CALLUNA VULGARIS COMPLEX

(a) Calluna vulgaris community

- (i) Erica tetralix variant.
 - (a) Carex binervis sub-var.
- (ii) Pohlia nutans variant.
- (iii) Festuca ovina variant.
- (iv) Luzula multiflora variant.
 - (a) Leucobryum glaucum sub-var.
 - (b) Pteridium aquilinum sub-var.

(b) Erica cinerea community

- (i) Empetrum nigrum variant.

3. DESCHAMPSIA FLEXUOSA COMPLEX

(a) Rhytidiadelphus loreus community

- (i) Carex binervis variant.
 - (a) Molinia caerulea sub-var.
 - (b) Polytrichum commune sub-var.
- (ii) Blechnum spicant variant.
 - (a) Luzula sylvatica sub-var.
- (iii) Campanula rotundifolia variant.
 - (a) Thymus drucei sub-var.
 - (b) Peltigera canina sub-var.

(b) Empetrum nigrum community

- (i) Rhytidiadelphus loreus variant.
- (ii) Juniperus communis variant.
- (iii) Erica cinerea variant.
 - (a) Sieglingia decumbens sub-var.
 - (b) Pohlia nutans sub-var.
- (iv) Gymnocolea inflata variant.
- (v) Juncus squarrosus variant.

(c) Deschampsia flexuosa community

- (i) Carex pilulifera variant.
- (ii) Pteridium aquilinum variant.
 - (α) Diplophyllum albicans sub-var.
- (iii) Molinia caerulea variant.
- (iv) Cladonia arbuscula variant.
 - (α) Carex binervis sub-var.
 - (B) Diplophyllum albicans sub-var.
- (v) Vaccinium vitis-idaea variant.
- (vi) Erica cinerea variant.

4. ERICA CINEREA COMPLEX

(a) Nardus stricta community

- (i) Carex binervis variant.
- (ii) Erica tetralix variant.
- (iii) Sieglingia decumbens variant.

(b) Erica cinerea community

- (i) Pohlia nutans variant.
- (ii) Ulex europaeus variant.
- (iii) Pteridium aquilinum variant.
- (iv) Agrostis tenuis variant.

5. CAREX BIGELOWII COMPLEX

(a) Calluna vulgaris community

- (i) Anastrepta orcadensis variant.
 - (α) Chamaepericlymenum suecicum sub-var.
 - (B) Pleurozia purpurea sub-var.
- (ii) Ochrolechia frigida variant.
 - (α) Juniperus nana sub-var.

(b) Carex bigelowii community

- (i) Ochrolechia frigida variant.
- (ii) Alchemilla alpina variant.
- (iii) Anastrepta orcadensis variant.

IV. Erica tetralix heaths

1. ZYGOGONIUM ERICETORUM COMPLEX

(a) Sphagnum compactum community

(i) Rhynchospora alba variant.

(α) Drosera rotundifolia sub-var.

(ii) Cladonia impexa variant.

(α) Sphagnum tenellum sub-var.

(β) Cladonia floerkeana sub-var.

(iii) Campylopus brevipilus variant.

(iv) Gymnocolea inflata variant.

(α) Campylopus brevipilus sub-var.

(β) Juncus squarrosus sub-var.

(b) Zygogonium ericetorum community

(i) Erica cinerea variant.

(α) Juncus squarrosus sub-var.

(ii) Pteridium aquilinum variant.

(iii) Polytrichum juniperinum variant.

2. MOLINIA CAERULEA COMPLEX

(a) Dicranum scoparium community

(i) Nardus stricta variant.

(ii) Eriophorum angustifolium variant.

(b) Scirpus caespitosus community

(i) Carex nigra variant.

(α) Juncus squarrosus sub-var.

(β) Hypnum ericetorum sub-var.

(ii) Cladonia impexa variant.

(c) Deschampsia flexuosa community

(i) Eriophorum vaginatum variant.

(α) Vaccinium myrtillus sub-var.

(d) Ulex_gallii_community

- (i) *Holcus lanatus* variant.
 - (α) *Hydrocotyle vulgaris* sub-var.
 - (β) *Erica cinerea* sub-var.
- (ii) *Shoenus nigricans* variant.
 - (α) *Succisa pratensis* sub-war.

APPENDIX II

Key to the vegetation types described
for British Heathlands.

APPENDIX II.

KEY TO THE VEGETATION TYPES DESCRIBED
FOR BRITISH HEATHLANDS

Abbreviations used are as follows:-

- 1) NAA. - The vegetation under examination does not conform to the preceding condition(s).
- 2) AA. - The vegetation under examination conforms to the preceding condition.
- 3) Where two species are cited, separated by a comma, (i.e. *Plantago maritima*, *Carex flacca* present) this should be read as "Plantago maritima and/or Carex flacca present".

-o-o-o-o-o-

- | | | | |
|----|--|-------------|----|
| 1. | <i>Ulex gallii</i> present. | | 2 |
| | NAA. | | 40 |
| 2. | 2 of the 3 following species present:
<i>Scilla verna</i> , <i>Plantago maritima</i> , <i>Carex flacca</i> . | I.1.a.iii.α | |
| | NAA. | | 3 |
| 3. | <i>Ulex minor</i> present. | I.8.a.i | |
| | NAA. | | 4 |
| 4. | <i>Erica ciliaris</i> present. | (I.2.a) | 5 |
| | NAA. | | 6 |
| 5. | 2 of these 3 species present: <i>Carex panicea</i> , <i>Calypogeia fissa</i> , <i>Polygala vulgaris</i> . | I.2.a.i | |
| | <i>Diplophyllum albicans</i> present. | I.2.a.ii | |
| | <i>Erica tetralix</i> present. | I.2.a.iii | |
| | AA. with <i>Gymnocolea inflata</i> present. | I.2.a.iii.α | |
| 6. | 3 of these 4 species present: <i>Viola lactea</i> , <i>Agrostis stacea</i> , <i>Carex pilulifera</i> , <i>Agrostis montana</i> . | | 7 |
| | NAA. | | 9 |

(ii)

7. *Betonica officinalis*, *Thymus drucei*
present. 8
Hypericum humifusum present. I.2.e.ii
8. *Plantago maritima*, *Serratula tinctoria*
present. I.2.e.i.β
NAA. I.2.e.i.α
9. 3 of these 5 species present: *Rosa*
pimpinellifolia, *Thymus drucei*, *Rumex*
acetosa, *Dactylis glomerata*, *Agrostis*
tenuis. I.2.f
NAA. 10
10. 2 of these 3 species present: *Erica*
vagans, *Schoenus nigricans*, *Carex*
flacca (I.3.a). 11
NAA. 14
11. *Agrostis setacea* present. I.3.a.iii
NAA. 12
12. *Genista anglica* and *Carex pulicaris*
present. I.3.a.ii
NAA. (I.3.a.i). 13
13. 2 of these 3 species present: *Carex*
demissa, *C. hostiana*, *C. pulicaris*. I.3.a.i.α
NAA. I.3.a.i.β
14. SOUTH WALES ONLY - 2 of these 5
species present: *Deschampsia flexuosa*,
Nardus stricta, *Vaccinium myrtillus*,
Galium saxatile, *Molinia caerulea*. III.4.c.iii
NAA. or AA., but not in South Wales. 15
15. 3 of these 4 species present: *Carex*
arenaria, *Dicranum scoparium*, *Hypnum*
ericetorum, *Festuca rubra*. 16
NAA. 17
16. 2 of these 4 species present: *Campanula*
rotundifolia, *Pteridium aquilinum*, *Rumex*
acetosella, *Pleurozium schreberi*. II.4.a.i
NAA. II.7.a.ii

17. 3 of these 5 species present: *Agrostis tenuis*, *Molinia caerulea*, *Potentilla erecta*, *Erica tetralix*, *Pleurozium schreberi*. 18
 NAA. 27
18. *Festuca ovina*, *Holcus lanatus* present.(IV.2.d.i) 19
 NAA. 20
19. *Ulex europaeus*, *Hydrocotyle vulgaris*
 present. IV.2.d.i.α
 NAA. IV.2.d.i.β
20. *Erica tetralix* and *Carex binervis*
 present. 21
 NAA. 24
21. *Sieglingia decumbens* present (I.2.c.i) 22
 NAA. 23
22. *Carex hostiana*, *Polygala serpyllifolia*
 present. I.2.c.i.α
Calypogeia arguta present. I.2.c.i.β
23. *Polygala serpyllifolia*, *Cladonia* spp.
 present. I.2.c.ii
 AA., with *Carex panicea* present. I.2.c.ii.α
24. *Carex binervis*, *Nardus stricta*
 present. I.2.g.i
 NAA. 25
25. *Anthoxanthum odoratum*, *Galium saxatile*
 present. I.2.g.ii
 AA. with *Vaccinium myrtillus* present. I.2.g.ii.α
 NAA. 26
26. *Agrostis tenuis*, *Ulex europaeus*
 present. II.7.a.iii
 AA. with *Carex pilulifera*, *Quercus*
 spp. seedlings. II.7.a.iii.α
27. 3 of these 4 species present: *Festuca rubra*, *Anthoxanthum odoratum*, *Galium saxatile*, *Sieglingia decumbens* (I.4.a). 28
 NAA. 29

28. *Agrostis montana*, *Carex pilulifera*. I.4.a.i
 AA. with *Campanula rotundifolia*. I.4.a.i.α
 NAA. I.4.a.ii
29. 2 of these 3 species present: *Carex flacca*, *Thymus drucei*, *Filipendula vulgaris*. I.4.c
 AA. with *Cirsium acaule*, *Lotus corniculatus*. I.4.c.i
 NAA. 30
30. 2 of these 3 species present: *Polytrichum piliferum*, *Deschampsia flexuosa*, *Pohlia nutans* (I.4.d). 31
 NAA. 32
31. *Jasione montana*, *Sarothamnus scoparius* present. I.4.d.i
 AA. with *Teucrium scorodonia*, *Aira praecox*. I.4.d.i.α
 NAA. I.4.d.ii
32. 4 of these 5 species present: *Cladonia uncialis*, *C. arbuscula*, *Sphagnum compactum*, *S. tenellum*, *Rhacomitrium lanuginosum*. 33
Agrostis tenuis, *Sieglingia decumbens* present. 35
 NAA. 36
33. 2 of these 4 species present: *Zygonium ericetorum*, *Cornicularia aculeata*, *Cladonia gracilis*, *Scirpus caespitosus*. 34
 NAA. IV.2.a.i
34. 2 of these 3 species present: *Carex panicea*, *C. nigra*, *Sieglingia decumbens*. I.4.b.iii
 NAA. IV.1.a.iii
35. *Ulex europaeus*, *Pteridium aquilinum*. I.4.b.ii
 NAA. I.4.b.i
 AA. with *Hypnum ericetorum* present. I.4.b.i.α
36. *Dicranum scoparium*, *Hypnum ericetorum* present. (In East Anglia only). 37
 NAA. 38

37. *Campylopus flexuosus* present. II.7.a.i
 AA. with *Cladonia uncialis*, *Polytrichum juniperinum* present. II.7.a.i.α
 NAA. II.7.a.iii
38. *Vaccinium myrtillus* present (I.2.b). 39
 NAA. I.2.d
 AA. with *Erica tetralix*. I.2.d.i
39. *Deschampsia flexuosa* present. I.2.b.i
 AA. with *Cladonia arbuscula* present. I.2.b.i.α
Erica tetralix present. I.2.b.ii
40. 4 of these 6 species present: *Festuca ovina*, *Thymus drucei*, *Hypochoeris radicata*, *Plantago lanceolata*, *Viola riviniana*, *Holcus lanatus*. 41
 NAA. 57
41. *Genista pilosa* present (I.1.a). 42
 NAA. 45
42. 2 of these 4 species present: *Carex flacca*, *Plantago maritima*, *Scilla verna*, *Betonica officinalis* (I.1.a.iii). 43
 NAA. 44
43. *Schoenus nigricans*, *Carex pulicaris* present. I.1.a.iii.β
Erica vagans present. I.1.a.iii.γ
Daucus gummifer present. I.1.a.iii.δ
44. *Agrostis setacea*, *Hypnum ericetorum* present. I.1.a.i
Campanula rotundifolia, *Anthoxanthum odoratum* present. I.1.a.ii
45. 2 of these 3 species present: *Daucus gummifer*, *Dactylis glomerata*, *Anthyllis vulneraria* (I.1.b). 46
 NAA. 49
46. *Rumex acetosa*, *Armeria maritima* present. 47
 NAA. 48

47. *Genista tinctoria*, *Plantago maritima*
present. I.1.b.i.α
Ulex europaeus present. I.1.b.ii.α
NAA. I.1.b.ii
48. 2 of these 3 species present: *Scilla*
verna, *Plantago maritima*, *Serratula*
tinctoria. I.1.b.i
2 of these species present: *Leontodon*
taraxacoides, *Campanula rotundifolia*,
Anthoxanthum odoratum. I.1.b.iv
Cladonia rangiformis, *Hypnum*
ericetorum present. I.1.b.iii
49. *Pedicularis sylvatica* present. I.1.c.i
NAA. 50
50. *Erica tetralix*, *Plantago maritima*
present. I.1.c.ii
NAA. 51
51. *Hypnum ericetorum* present. I.1.c.iii
NAA. 52
52. *Agrostis tenuis* present (I.1.c.iv). 53
NAA. 54
53. *Luzula campestris* present. I.1.c.iv.α
Anthoxanthum odoratum present. I.1.c.iv.β
54. *Koeleria cristata*, *Scilla verna*
present. I.1.c.v
NAA. 55
55. 2 of these 3 species present: *Hydrocotyle*
vulgaris, *Molinia caerulea*, *Brachypodium*
sylvaticum. I.1.d
NAA. 56
56. 2 of these 4 species present: *Breutelia*
chrysocoma, *Alchemilla alpina*, *Selaginella*
selaginoides, *Galium boreale*. I.1.e.i
2 of these 3 species present: *Antennaria*
dioica, *Prunella vulgaris*, *Koeleria*
cristata. I.1.e.ii

57. 2 of these 3 species present: *Erica vagans*, *Schoenus nigricans*, *Sanguisorba officinalis* (I.3.b). 58
 NAA. 59
58. *Carlina vulgaris* present. I.3.b.i
Geranium sanguineum present. I.3.b.ii
59. *Erica ciliaris* present (I.5). 60
 NAA. 64
60. *Ulex minor*, *Agrostis setacea* present (I.5.a). 61
 NAA. 62
61. *Scirpus caespitosus* present. I.5.a.i
 AA. with *Rhynchospora alba*, *Drosera intermedia*. I.5.a.i.α
 Or with *Schoenus nigricans*, *Linum catharticum*. I.5.a.i.β
 Or with *Ulex europaeus* present. I.5.a.i.γ
62. *Nartheccium ossifragum*, *Gentiana pneumonanthe* present (I.5.b.ii). 63
 NAA. I.5.b.i
63. *Schoenus nigricans* present. I.5.b.ii.α
Eriophorum angustifolium present. I.5.b.ii.β
64. *Erica cinerea* present, with 4 of these 5 species: *Deschampsia flexuosa*, *Potentilla erecta*, *Pleurozium schreberi*, *Dicranum scoparium*, *Vaccinium myrtillus*. 65
 NAA. 86
65. *Teucrium scorodonia* present (Montgomeryshire only) (I.9.a). 66
 NAA. 68
66. *Agrostis stolonifera*, *Pseudoscleropodium purum* present. I.9.a.i
 NAA (I.9.a.ii). 67
67. *Luzula campestris* present. I.9.a.ii.α
Geranium sanguineum present. I.9.a.ii.β
68. *Vaccinium vitis-idaea* and *Hylocomium splendens* present. 69
 NAA. 70

69. 2 of these 3 species present: *Lathyrus montana*, *Genista anglica*, *Pyrola media*. I.7.a
NAA. I.6.a
70. 2 of these 3 species present: *Arctostaphylos uva-ursi*, *Diplophyllum albicans*, *Arctous alpina* (I.7.b). 71
NAA. 72
71. *Juniperus nana* present. I.7.b.i
AA. with *Pleurozia purpurea* present. I.7.b.i.a
72. 2 of these 3 species present: *Melampyrum pratense*, *Calypogeia mulleriana*, *Pohlia nutans*. III.1.1.a.i.β
NAA. 73
73. *Pohlia nutans* present (I.6.b). 75
NAA.
74. *Nardus stricta*, *Scirpus caespitosus* present. I.6.b.i.α
NAA. I.6.b.i
75. *Carex binervis* present (I.6.b.ii). 76
NAA. 77
76. *Anthoxanthum odoratum* present. I.6.b.ii.α
Melampyrum pratense, *Cladonia* div. spp. present. I.6.b.ii.β
77. *Agrostis setacea*, *Luzula multiflora* present. I.6.c
NAA. 78
78. *Juncus squarrosus*, *Polytrichum commune* present. I.6.d
AA. with *Nardus stricta*, *Rhytidiadelphus loreus*. I.6.d.i
NAA. 79
79. *Empetrum nigrum* present. 80
NAA. 82
80. *Festuca rubra*, *Viola canina* present. III.3.b.i
NAA. (III.4.b.iii). 81

81.	Sieglingia decumbens, Polytrichum juniperinum present.	III.4.b.iii.a	
	Pohlia nutans, Cladonia spp. present.	III.4.b.iii.B	
82.	2 of these 3 species present: Campanula rotundifolia, Thymus drucei, Viola riviniana.	III.4.a.iii.a	
	NAA.		83
83.	Nardus stricta present (II.5.a).		84
	NAA. (II.5.b).		85
84.	Carex binervis present.	III.5.a.i	
	Erica tetralix present.	III.5.a.ii	
	Sieglingia decumbens, Agrostis tenuis present.	III.5.a.iii	
85.	Pohlia nutans present.	III.5.b.i	
	Ulex europaeus present.	III.5.b.ii	
	Pteridium aquilinum present.	III.5.b.iii	
86.	Ulex minor present.		87
	NAA.		107
87.	Ulex europaeus present.		88
	NAA.		92
88.	Serratula tinctoria present.	I.8.a.ii	
	AA. with Sieglingia decumbens present.	I.8.a.iii.a	
	NAA.		89
89.	Erica tetralix present.		90
	NAA.	II.1.c.ii	
90.	Potentilla erecta present.	I.8.a.i	
	NAA.		91
91.	Agrostis setacea present.	II.1.a.iv.B	
	NAA.	II.1.a.iii	
92.	Erica tetralix present (II.1.a).		93
	NAA.		96
93.	Agrostis setacea present (II.1.a.iv).		94
	NAA.		95

94.	<i>Pteridium aquilinum</i> present.	II.1.a.iv.α	
	<i>Zygonium ericetorum</i> present.	II.1.a.iv.β	
	<i>Campylopus brevipilus</i> present.	II.1.a.iv.δ	
95.	<i>Leucobryum glaucum</i> present.	II.1.a.i	
	NAA.	II.1.a.ii	
96.	<i>Agrostis setacea</i> present.		97
	NAA. (II.1.b).		98
97.	<i>Deschampsia flexuosa</i> present.	II.1.b.ii.α	
	NAA.	II.1.c.i	
98.	<i>Vaccinium myrtillus</i> present.	II.1.b.ii	
	<i>Festuca rubra</i> present.	II.1.b.i	
99.	4 of these 5 species present: <i>Rhacomitrium lanuginosum</i> , <i>Scirpus caespitosus</i> , <i>Hylocomium splendens</i> , <i>Molinia caerulea</i> , <i>Rhytidiadelphus loreus</i> .		100
	NAA.		103
100.	<i>Agrostis tenuis</i> , <i>Sieglingia decumbens</i> present (I.10.b).		101
	NAA. (I.10.a).		102
101.	<i>Nardus stricta</i> , <i>Carex flacca</i> present.	I.10.b.ii	
	AA. with <i>Carex hostiana</i> present.	I.10.b.ii.α	
	NAA.	I.10.b.i	
102.	<i>Carex binervis</i> present.	I.10.a.ii	
	AA. with <i>Juncus squarrosus</i> , <i>Nardus stricta</i> .	I.10.a.ii.α	
	NAA.	I.10.a.i	
103.	<i>Carex arenaria</i> present.		104
	NAA.		112
104.	<i>Erica cinerea</i> present.		105
	NAA.		111
105.	2 of these 3 species present: <i>Campanula rotundifolia</i> , <i>Festuca rubra</i> , <i>Rumex acetosella</i> (II.4.a.iii).		106
	NAA.		107

106. *Ammophila arenaria* present. II.4.a.iii.α
 NAA. III.4.a.iii.β
107. *Cornicularia aculeata*, *Cladonia uncialis*
 present. II.3.a.i
 NAA. 108
108. *Rosa pimpinellifolia*, *Lotus corniculatus*
 present. II.3.a.ii
 AA. + *Plantago coronopus*. II.3.a.ii.α
 NAA. 109
109. *Cladonia coccifera* present. II.3.a.iii
 NAA. 110
110. *Potentilla erecta*, *Luzula multiflora*
 present. II.3.a.iv
 NAA. II.3.a.v
111. *Sarothamnus scoparius* present. II.4.a.ii
 NAA. II.4.a.i
 AA. with *Deschampsia flexuosa*
 present. II.4.a.i.β
112. *Carex flacca*, *Helianthemum nummularium*
 present (II.6). 113
 NAA. 114
113. *Pohlia nutans*, *Bromus erecta* present. II.6.a.i
Brachypodium pinnatum, *Poterium*
sanguisorba present. II.6.a.ii
114. 2 of these 3 species present: *Deschampsia*
flexuosa, *Dicranum scoparium*, *Hypnum ericetorum*
 (not in areas disturbed by mining). 115
 NAA. 153
115. 2 of these 3 species present: *Melampyrum*
pratense, *Calypogeia mulleriana*, *Pteridium*
aquilinum (III.1.a). 116
 NAA. 118
116. *Cladonia chlorophaea*, *C. crispata*
 present (III.1.a.i). 117
Galium saxatile, *Agrostis tenuis*. III.1.a.ii

117.	<i>Cladonia coccifera</i> , <i>C. squamosa</i> present.	III.1.a.i.α	
	<i>Vaccinium vitis-idaea</i> .	III.1.a.i.δ	
118.	<i>Pohlia nutans</i> present.		119
	NAA.		124
119.	<i>Vaccinium myrtillus</i> present.		120
	NAA.		124
120.	<i>Vaccinium vitis-idaea</i> present.		121
	NAA.		122
121.	<i>Carex nigra</i> , <i>Eriophorum angustifolium</i> present.	III.1.b.i	
	NAA.	III.4.c.v	
122.	2 of these 3 species present: <i>Rhytidiadelphus</i> <i>squarrosus</i> , <i>Plagiothecium undulatum</i> , <i>Sieglingia decumbens</i> (III.1.b.ii).		123
	NAA.	III.3.a.ii	
123.	<i>Nardus stricta</i> , <i>Juncus squarrosus</i> present.	III.1.b.ii.α	
	<i>Cladonia coccifera</i> present.	III.1.b.ii.β	
124.	<i>Erica tetralix</i> , <i>Scirpus caespitosus</i> present (IV.2.c).		125
	NAA.	II.2.a.i.α	
125.	<i>Eriophorum vaginatum</i> present.	IV.2.c.i	
	AA. with <i>Vaccinium myrtillus</i> present.	IV.2.c.i.α	
126.	<i>Erica cinerea</i> present (II.2.a).		127
	NAA.		128
127.	<i>Pteridium aquilinum</i> .	II.2.a.i	
	<i>Quercus</i> spp. seedlings present.	II.2.a.ii	
128.	<i>Carex bigelowii</i> , <i>Empetrum hermaphroditum</i> present.		129
	NAA.		134
129.	<i>Calluna vulgaris</i> present (III.6.a).		130
	NAA. (III.6.b).		133

130. *Anastrepta orcadensis*, *Listera cordata*
 present (III.6.a.i). 140
 NAA. 132
131. *Chamaepericlymenum sueicium*, *Rubus chamaemorus*
 present. III.6.a.i.α
Pleurozia purpurea, *Herberta*
hutchinsiae present. III.6.a.i.β
132. *Ochrolechia frigida*, *Scirpus caespitosus*
 present. III.6.a.ii
 AA. with *Juniperus nana* present. III.6.a.ii.α
Blechnum spicant, *Chamaepericlymenum*
sueicium. III.6.a.iii
133. *Alectoria nigricans*, *Ochrolechia frigida*
 present. III.6.b.i
Alchemilla alpina, *Festuca ovina*
 present. III.6.b.ii
Anastrepta orcadensis present. III.6.b.iii
134. *Vaccinium myrtillus* present. 135
 NAA. 151
135. *Betula* spp. (seedlings) & *Pteridium aquilinum*
 present (Berkshire only). II.2.b.i.α
 NAA. 136
136. *Erica tetralix* present. III.3.a.i
 AA. with *Carex binervis* present. III.3.a.i.α
 NAA. 137
137. 2 of these 3 species present: *Campanula*
rotundifolia, *Thymus drucei*, *Carex*
capillaris. III.3.a.iii
 NAA. 138
138. *Luzula multiflora* present (III.3.a.iv). 139
 NAA. 140
139. *Leucobryum glaucum*, *Anthoxanthum*
odoratum. III.3.a.iv.α
Pteridium aquilinum present. III.3.a.iv.β

140.	2 of these 3 species present: <i>Rhytidiadelphus loreus</i> , <i>Galium saxatile</i> , <i>Agrostis tenuis</i> .		141
	NAA.		150
141.	<i>Empetrum nigrum</i> present.	III.4.b.i	
	NAA.		142
142.	<i>Hylocomium splendens</i> , <i>Sieglingia decumbens</i> present.		143
	NAA.		147
143.	2 of these 3 species present: <i>Carex pilulifera</i> , <i>C. binervis</i> , <i>Anthoxanthum odoratum</i> .	III.4.c.i	
	NAA.		144
144.	<i>Carex binervis</i> present.		145
	NAA.		146
145.	<i>Molinia caerulea</i> present.	III.4.a.i.α	
	<i>Polytrichum commune</i> present.	III.4.a.i.β	
146.	<i>Blechnum spicant</i> present.	III.4.a.ii	
	AA. with <i>Luzula sylvatica</i> present.	III.4.a.ii.α	
	<i>Campanula rotundifolia</i> present.	III.4.a.iii	
	AA. with <i>Peltigera canina</i> present.	III.4.a.iii.β	
147.	<i>Cladonia arbuscula</i> present.		148
	NAA.		149
148.	<i>Carex binervis</i> present.	III.4.c.iv.α	
	<i>Diplophyllum albicans</i> present.	III.4.c.iv.β	
149.	<i>Molinia caerulea</i> present.	III.4.c.iii	
	<i>Pteridium aquilinum</i> present.	III.4.c.ii	
	AA. with <i>Diplophyllum albicans</i> present.	III.4.c.ii.α	
150.	<i>Juniperus communis</i> present.	III.4.b.ii	
	<i>Gymnocolea inflata</i> , <i>Cladonia uncialis</i> present.	III.4.b.iv	
	<i>Juncus squarrosus</i> present.	III.4.b.v	
151.	<i>Betula</i> species (seedlings) present.	II.2.b.i	
	NAA.		152

152.	<i>Fagus sylvatica</i> seedlings, <i>Carex pilulifera</i> present.	II.2.b.ii.α	
	<i>Luzula campestris</i> , <i>Agrostis tenuis</i> present.	II.2.b.ii.β	
	<i>Potentilla erecta</i> , <i>Holcus mollis</i> present.	II.2.b.ii.γ	
153.	<i>Erica tetralix</i> ; <i>Molinia caerulea</i> present.		154
	NAA.		167
154.	<i>Pohlia nutans</i> present.		155
	NAA.		158
155.	<i>Carex nigra</i> , <i>Salix repens</i> present (IV.2.b.i).		156
	NAA. (II.5.a.i).		157
156.	<i>Juncus squarrosus</i> present.	IV.2.b.i.α	
	<i>Hypnum ericetorum</i> present.	IV.2.b.i.β	
157.	<i>Scirpus caespitosus</i> , <i>Gymnocolea inflata</i> present.	II.5.a.i.α	
	<i>Cladonia coccifera</i> present.	II.5.a.i.β	
158.	<i>Sphagnum compactum</i> , <i>Scirpus caespitosus</i> present.		159
	NAA. (IV.1.b).		166
159.	<i>Eriophorum angustifolium</i> and <i>Aulacomnium palustre</i> present.	IV.2.a.ii	
	NAA.		160
160.	<i>Cladonia impexa</i> present.		161
	NAA.		163
161.	<i>Calypogeia mulleriana</i> present.	IV.2.b.ii	
	NAA. (IV.1.a.ii).		162
162.	<i>Sphagnum tenellum</i> , <i>Campylopus atrovirens</i> present.	IV.1.a.ii.α	
	<i>Dicranum scoparium</i> , <i>Odontoschisma denudatum</i> present.	IV.1.a.ii.β	
163.	<i>Campylopus brevipilus</i> , <i>Agrostis setacea</i> present.	IV.1.a.iii	
	NAA.		164

164.	<i>Gymnocolea inflata</i> present (IV.1.a.iv).	165
	NAA.	IV.1.a.i
	AA. with <i>Drosera rotundifolia</i> .	IV.1.a.i.a
165.	<i>Campylopus brevipilus</i> present.	IV.1.a.iv.α
	<i>Juncus squarrosus</i> present.	IV.1.a.iv.β
166.	<i>Pteridium aquilinum</i> present.	IV.1.b.ii
	<i>Polytrichum juniperinum</i> present.	IV.1.b.iii
	<i>Erica cinerea</i> present.	IV.1.b.i
	AA. + <i>Juncus squarrosus</i> , <i>Cladonia floerkeana</i> .	IV.1.b.i.α
167.	3 of these 4 species present: <i>Agrostis tenuis</i> , <i>Festuca rubra</i> , <i>Pleurozium schreberi</i> , <i>Campanula rotundifolia</i> .	168
	NAA.	171
168.	<i>Sieglingia decumbens</i> present (II.4.b.ii).	169
	NAA.	170
169.	<i>Holcus lanatus</i> present.	II.4.b.ii.α
	<i>Nardus stricta</i> present.	II.4.b.ii.β
170.	<i>Lotus corniculatus</i> , <i>Cerastium arvense</i> present.	II.4.b.i
	<i>Cladonia impexa</i> , <i>Cornicularia aculeata</i> present.	II.4.c.i
	AA. with <i>Luzula campestris</i> present.	II.4.c.i.α
171.	<i>Cladonia coccifera</i> , <i>Pohlia nutans</i> present.	II.5.a.ii
	NAA. (II.3.b).	172
172.	<i>Agrostis stolonifera</i> present.	II.3.b.i
	<i>Usnea sub-florida</i> present.	II.3.b.iii
	<i>Agrostis tenuis</i> present.	II.3.b.ii
	AA. with <i>Cladonia chlorophaea</i> present.	II.3.b.ii.α

APPENDIX III

A description of some phytosociological
scales.

In the literature at present there are a large number of scales, particularly for cover/abundance.

Perhaps two of the commonest scales used are the Hult-Sernander (1887), in Fennoscandia, and the Braun-Blanquet (1928), in Central Europe. They are compared below:-

<u>Hult-Sernander</u>	<u>Braun-Blanquet</u>
+ = minor constituents	r = erratic, cover less than 5%
1 = less than 1/16 cover	+ = occasional, " " " 5%
2 = " " 1/8 "	1 = common, " " " 5%
3 = " " 1/4 "	2 = very common, cover 5%-20%
4 = " " 1/2 "	3 = cover 20%-50%, any no. of individuals
5 = 1/2 to complete cover of the plot	4 = cover 50%-75%, " " " individuals
	5 = cover 75%-100%, " " " individuals

The scales are essentially similar in that they concentrate on the lower amounts of cover and abundance, but the Braun-Blanquet scale is capable of greater sensitivity of description.

Search for a more sensitive and precise scale led to modifications by Domin (1933) and Doing Kraft (1954), detailed below:-

Domin

+	sparse, cover very small			
1	sparsely present, cover small			
2	scattered, cover small			
3	plentiful, cover small			
4	very common, c.5% cover			
5	"	"	, c.20% cover	
6	cover 25%-30%	irrespective of number of individuals		
7	" 30%-50%	" " " "	"	"
8	" 50%-75%	" " " "	"	"
9	" over 75%	" " " "	"	"
10	" 100%	" " " "	"	"

Doing Kraft

r	(raro), sporadic, cover less than 5%
p	(paupulum), occasional, cover less than 5%
a	(amplius), common, " " " 5%
m	(multum), very common, " " " 5%
O1	cover 5%-15%
O2	" 15%-25%

(ii)

03, cover	25%-35%
04, "	35%-45%
05, "	45%-55%
06, "	55%-65%
07, "	65%-75%
08, "	75%-85%
09, "	85%-95%
10, "	95%-100%

Meijer-Drees (1949) proposed an adaption of the Braun-Blanquet scale, such that the numerals from 2-5 had a + or - superscript. Each numerical value then took the % cover value midway in its range, i.e. 3 - cover 37.5%, 3⁺ - little under 50% cover, 4⁻ - little over 50% cover, etc.

The Domin scale is recommended by Poore (1955b), and has been one of the most frequently used scales in British Phytosociological literature, e.g. McVean & Ratcliffe (1962), Proctor & Ivmey-Cook (1965). The scale is interconvertible with that of Braun-Blanquet, as Poore (loc. cit.) notes.

Although there are some advantages in using this scale, there is a greater likelihood of different workers producing discrepancies than with the + - 5 scale, or the Doing Kraft scale. This latter, however, does not give enough weight to the lower end of the end, where it is of great importance.

Segal and Barkman (1960) attempted to answer these problems by proposing a scale that had an initial geometric increase (to 50% cover), and then continued as an arithmetic increase to 100% cover, using some of the differing ideas contained in the scales described above. Their scale is reproduced below:-

r	=	exists sporadically in the whole vegetation area	
+r	=	sporadic (1-2 individuals) within the plot	
+p	=	small number, (3-20 individuals per plot), cover	1%
+a	=	" " " " " " " "	1-2%
+b	=	" " " " " " " "	2-5%
lp	=	scattered, (20-100 individuals per plot), cover	1%
la	=	" " " " " " " "	1-2%
lb	=	" " " " " " " "	2-5%

(iii)

2m	=	numerous	(100	individuals	per	plot),	cover	5%
2a	=	regardless	of	the	number	of	individuals,	"	5%-12.5%
2b	=	"	"	"	"	"	"	"	12.5%-25%
3(a,b)	=	"	"	"	"	"	"	"	25%-50%
4(a,b)	=	"	"	"	"	"	"	"	50%-75%
5(a,b)	=	"	"	"	"	"	"	"	75%-100%

With the last three categories the a and b can be used or not, depending on circumstances. If it is used then 3a = cover 25%-37.5%, 3b = cover 37.5%-50%, etc. The symbols p and m are those used in the scale of Doing Kraft (loc. cit.). The scale is interconvertible with that of Braun-Blanquet by the following conversion scheme:-

<u>Barkman & Segal</u>		<u>Braun-Blanquet</u>
r, +r = 0	2a = 6	r = 0
+p = 1	2b = 7	+ = 2 (1-3)
+a, lp = 2	3 = 8	1 = 3 (2-4)
+b, la = 3	4 = 9	2 = 6 (5-7)
lb = 4	5 = 10	3 = 8
2m = 5		4 = 9
		5 = 10

This scale is obviously particularly sensitive and useful, but the amount of time needed in the field to analyse a vegetation plot with this scale is much larger than the normal Braun-Blanquet scale, for relatively little more information. In fact, a numerical technique is probably preferable to this kind of extended analysis. Doing (pers. comm.) has suggested that the usefulness of extended scales such as these is minimal, and that for most purposes the normal Braun-Blanquet scale is perfectly adequate.

Sociability is usually noted as an extra feature, to help create a 'mental picture' of the vegetation in the authors, or any of his readers, mind.

APPENDIX IV

Similarity Coefficients and description of
quantitative techniques.

I. Similarity Coefficients, used in either divisive or agglomerative methods, vary enormously, particularly with regard to the results they produce. Although of slightly distinct nature, the correlation coefficient χ^2 or χ has been used with extremely good results (Lange, 1968).

Euclidean distance (Williams, Lambert & Lance, 1966), has also been used. In this, individuals are expressed in a spatial model, the j'th coordinate being 1 if the individual is present or 0 if absent. From the typical 2 x 2 table (fig. (i)) this coefficient may be calculated as $b + c$.

The largest 'family' of similarity coefficients spawned have been the "non-metric" type. Sneath (1957), following Jaccard (1902), proposed the coefficient $S = a/(a+b+c)^*$, for use in the numerical taxonomy of bacteria (see fig. (ii)).

In earlier types of simple ordination the 'Coefficient of Floral Community' proposed by Kulczynski (1928) and used by Sørensen (1948) has been used, i.e. $CC = 2a/(b+2a+c)$. These coefficients are all monotonic, and, as Williams & Dale (1965) point out, non-metric, because they ignore the "double negatives" (i.e. the values in the 'd' cell of fig. (i)).

For this reason, they do not present an entirely accurate

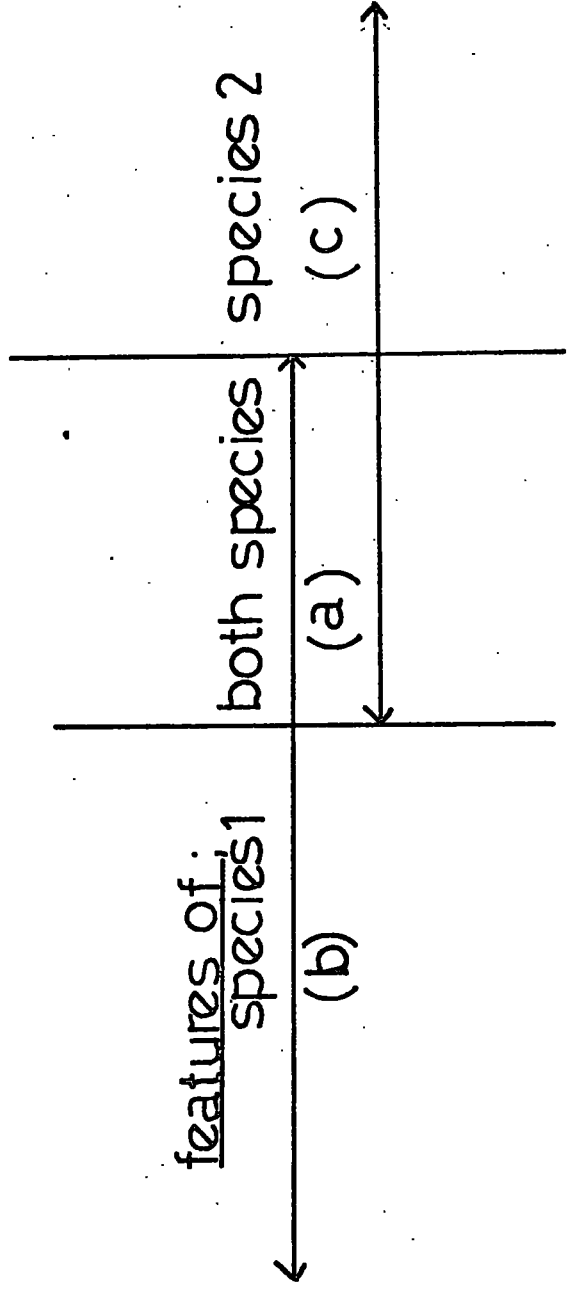
*N.B. All small letters used in this and the following formulae are all taken from fig. (i).

	species 2		
	+	-	
species 1	a	b	
	-	d	
			N

(N = total no. of quadrats)

2 X 2 TABLE

fig (i)



N.B. small letters as in fig(i)

fig (ii)

(ii)

picture of the data being analysed, although the general trends are, of course, valid. An example of a metricated coefficient follows:-

$$(a+d)/(a+b+c+d).$$

II. Association Analysis

This technique was proposed in 1959 by Williams & Lambert. Essentially related to the system of analysis proposed by Goodall (1953), the chief difference being the lack of 'pooling' in the method of Williams & Lambert.

The analysis tests for heterogeneity in vegetation, using an association coefficient, by comparing all species in a simple 2 x 2 table (as fig. (i)). These coefficients are entered in a species x species matrix, and then summed for each species. The species which has the highest summed coefficient is then used to divide the data set, i.e. all those quadrats with the species form sub-set A and all those without form sub-set B. This process continues until a pre-determined termination level is reached.

Williams & Lambert (1960) suggest several "Indices of Association", i.e. χ^2 , χ^2 with Yates correction, χ^2/N , $\sqrt{\chi^2/N}$. As the authors indicate, no one index could be defended as 'right' in any sense. Williams* noted that the success of method lay simply within the properties of the χ^2 statistic, and any subsequent refinement could only serve to clarify the basic results obtained.

This technique is more properly known as 'Normal

*N.B. In a B.B.C. Broadcast, 1964, noted in the B.B.C. publication 'Experiment', 1964.

Association Analysis'.

III. Group Analysis.

Somewhat analogous to Normal Analysis, this technique uses the concept of species gregarity rather than homogeneity. Crawford & Wishart (1967) in proposing this method suggest that species with high mean sample densities are the 'controlling species' in vegetation units, and suggest the product of the mean sample density (V) and probability of occurrence (P) is a useful measure of the contribution of a species to the species group forming a quadrat. This is termed the 'Group element potential' (GEP), and is rendered absolute by taking the quotient of the GEP and the mean sample density for all quadrats in a population (V_m).

These GEP values can then be used as a measure of the contribution of group attribute (x) to any quadrat (j), i.e. the sum of all the GEP's for $j = S$. Again, this is rendered absolute by the quotient of S and S_m (= the sum of all GEP values), and is called the Set Element Potential (SEP). Fig. (iii) shows equations for these operations.

Thus, for any quadrat, there is a value S (representing its positive attributes) and \bar{S} its negative. Similarly, for each species there is a positive quadrat attribute, obtained by summing the SEP values from all the quadrats in which it occurs ($\leq S$) and a negative attribute, from those in which it does not appear ($\leq \bar{S}$).

From this information a 2 x 2 table can be constructed, as (vi) in Fig. (iii). The statistic μ'^2 * can be calculated, i.e. $\mu'^2 = (A - e_A)^2 + (B - e_B)^2 + (C - e_C)^2 + (D - e_D)^2$.
*(Observed result - expected result)².

$$(i) P = \frac{\text{no. of occurrences of 'x'}}{\text{no. of quadrats in sample}} = \frac{f}{N}$$

$$(ii) V = \frac{\text{total no. of species occurrences with 'x'}}{\text{no. of occurrences of 'x'}} = \frac{M}{f}$$

$$(iii) V_m = \frac{\text{total no. of species occurrences}}{\text{no. of quadrats in sample}} = \frac{\sum M}{N}$$

$$(iv) GEP = \frac{P * V}{V_m}$$

$$(v) SEP = \frac{S}{S_m}$$

(S = \sum GEP for quadrat j)

(vi) 2X2 TABLE FOR SPECIES 'x'

$\sum \bar{S}_x (A)$	$\sum \bar{S}_x (B)$	$\sum \bar{S}$
$\sum S_x (C)$	$\sum S_x (D)$	$\sum S$
N - f	f	N

N. B. \bar{x} = all species except 'x'
 \underline{x} = species 'x'

fig. (iii)

(iv)

Crawford & Wishart (1967) note that this reduces effectively to $\mu'^2 = (D - P * \sum S)^2$ or $\mu'^2 = (\sum S_x - (\sum S * S))^2$. In a way analogous to Association analysis, division of the data takes place on the species with the highest value of μ'^2 , although termination of division is effected by use of an arbitrarily set value of the 'Group Coefficient' - $C = (1/N) * \sum S$.

IV. Information Analysis

Several workers have suggested using an 'Information statistic', as a form of similarity coefficient. Williams, Lambert & Lance (1966) suggest the following statistic:-

$$I = pn \log n - \sum_{j=1}^p [a_j \log a_j + (n - a_j) \log (n - a_j)]$$

where n = no. of individuals, p = no. of attributes and a_j = no. of individuals with j 'th attribute.

This is a rather primitive form of Information statistic, which has been refined many times since. In using the statistic to construct a hierarchy, the most efficient pathway is obtained by fusing those groups which give the lowest increase in 'Information' (ΔI). Qualitatively this reduces to $2(b+c) \log 2$ (see fig. (i) for nomenclature).

V. Inverse Association and Information Analysis

Just as the techniques of Association Inverse analysis outlined above seek to divide a data set of quadrats into groups on the basis of species content, so a data set of species can be divided into groups on the basis of quadrat distribution, the actual technique remaining identical.



VI. Nodal Analysis

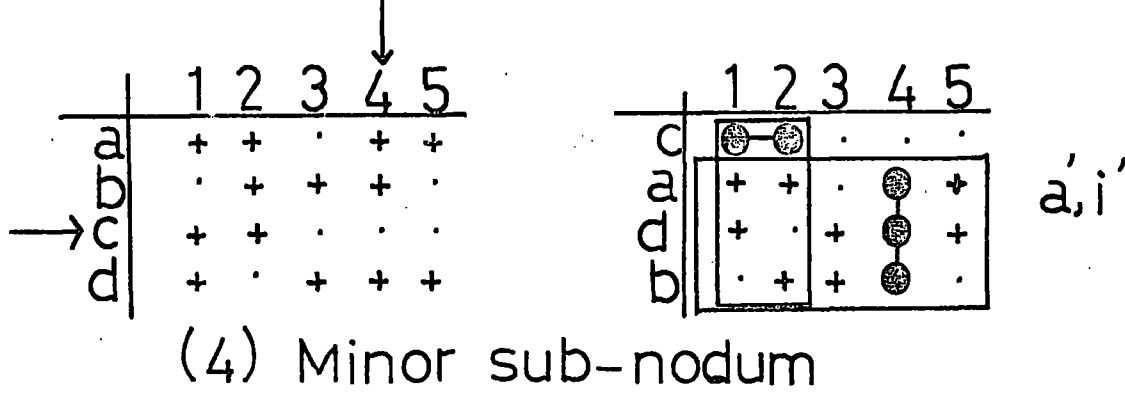
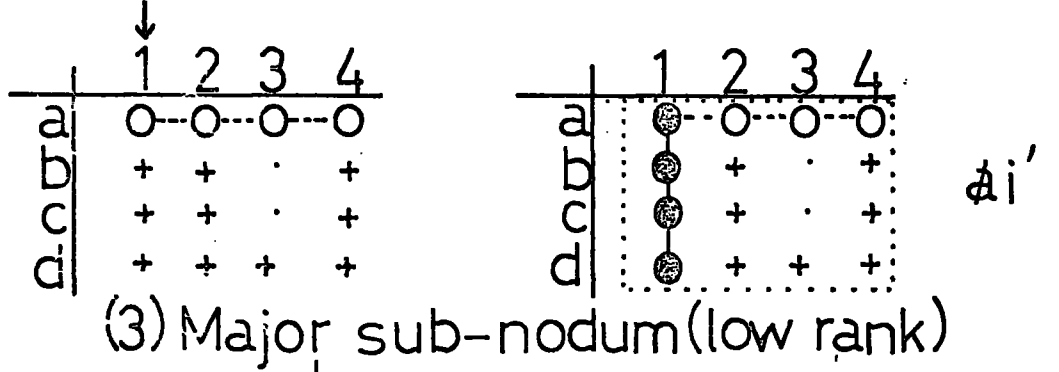
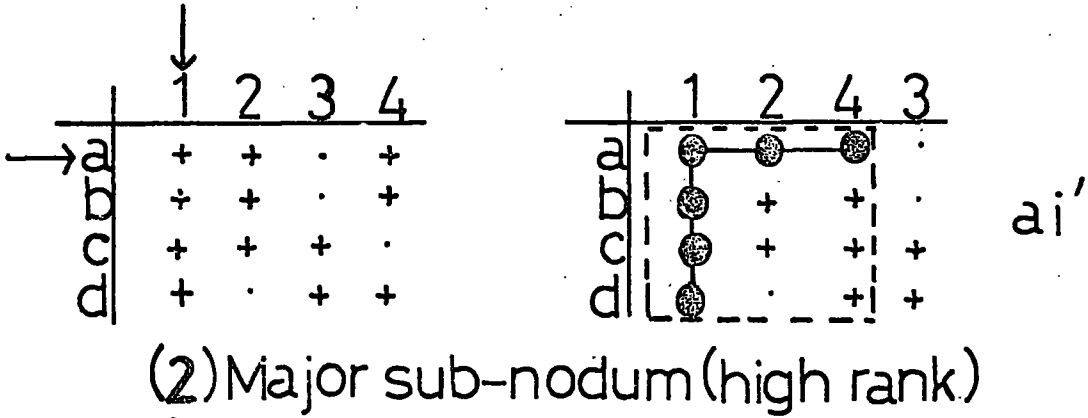
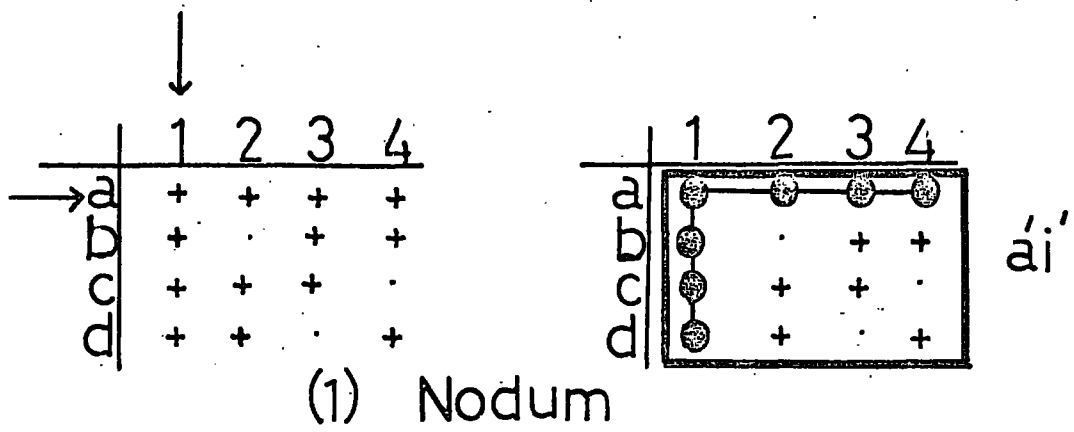
Subsequent refinement of the techniques Normal and Inverse Association analysis led to the development of Nodal analysis, utilizing fully the concept of "species in habitat-habitat in species" (Lambert & Williams, 1962), i.e. the total interdependence of environment and plant community.

The aim of this analysis is to produce abstracted (but not abstract) vegetational units, each with some ecological validity. The groups obtained by division of the data sets of species and quadrats are entered in a two-way table, consisting of 'rows' defined by species groups and 'columns' defined by quadrat groups.

Each intersection of row and column produces a 'cell'. At this stage certain species quadrats are known as parameters, because of their property of dividing the original data-sets. They are known as 'sub-division parameters', and conventionally entered as open circles in the two-way table.

The full 'rows' and 'columns' of this table are again subjected to analysis by the Association index, and any species/quadrat that reaches a significant index value is termed a 'co-incidence parameter' conventionally noted by an arrow.

Individual cells may be characterised as in fig. (iv). These 'units' are obtained by double definition of species/quadrat, and are thus a potentially powerful ecological tool.



→ = coincidence parameter
 -o-o-o- = subdivision parameter

fig. (iv)

VII. Simple Ordination

There are two main ways of utilising this technique - use of a similarity coefficient, or by use of the 'Wisconsin 2-step conversion' of importance values.

An importance value is defined (Whitaker, 1967) as additional information used to weigh the samples, i.e. density, biomass, frequency, etc., and are expressed as a percentage.

The Braun-Blanquet scale values can be used as such; and were in Section II. They can be converted to percentages as follows:

r = 0.5%	cover	3 = 37.5%	cover
+ = 1 %	"	4 = 62.5%	"
1 = 2.5%	"	5 = 87.5%	"
2 = 10 %	"		

As an illustration of the steps involved in the Wisconsin 2-step method, the following example of 3 species and 4 quadrats is used;

(i) all importance values are placed in a table:

Species	Quadrat			
	1	2	3	4
A	10	10	70*	70
B	80	80*	.	.
C	90*	80	20	30

(ii) all values are then converted to a % of the maximum

(* in (i)):

	1	2	3	4
A	14.3	14.3	100	100
B	100	100	.	.
C	100	88.8	22.2	33.3
Σ	214.3	203.1	122.2	133.3

(vii)

(iii) all the columns are then summed, and new values calculated as a % of the column:

	1	2	3	4
A	6.7	70	81.8	75
B	46.6	49	.	.
C	46.6	44	18.2	25

The % similarity (PS) between any two quadrats is then obtained by summing the smallest value obtained for each species in the two quadrats, i.e. for % similarity of 2 and 3 - $7.0 (A) + 0 (B) + 18.2 (C) = 25.2$.

Each of these % similarity values is then substrated from 100, to give the spatial separation.

From this, the quadrat with the lowest (100-PS) value is chosen as the first reference point of the x axis, and the quadrat least similar as the second point. All quadrats are then plotted against this axis (the 'x' axis) by the intersecting arcs method, and perpendicular projection gives the linear measure on the x axis for each point. From the cluster of points produced, the pair closest together on the x axis, yet least similar, are chosen as the reference points for the y axis, and the process repeated. As many axes as required may be constructed, but the first three axes (x, y, z) usually contain the maximum of relevant information. From these axes and the quadrat positions on them, 2-dimensional graphs or 3-dimensional models can be constructed to clarify the data.

APPENDIX V

Vegetation Tables.

N.B. For Cladonia squarrosa read Cladonia squamosa.
All tables designated M/R are constancy tables
from tables in McVean & Ratcliffe (1962).



I.1.a. GENISTA PILOSA COMMUNITY

Releve number.	59	60	62	63	79	80	81	61	78	21	22	23	28	82	83	84	85	72	23
Exposition.	1	1	1	1	1	1	1	1	1	45	45	45	1	1	1	1	1	1	1
Slope.	E	W	W	W	NW	NW	NW	W	NW	SW	SW	SW	W	S	S	S	S	SW	N
Phanerogam % cover.	2	0	0	0	10	10	10	0	10	5	5	5	20	20	20	20	20	25	25
Cryptogam % cover.	100	100	100	100	100	100	100	100	100	100	100	100	100	100	100	100	100	100	100
Releve area (sq. m.).	2	5	10	10	40	15	2	5	15	-	-	-	-	-	-	-	-	-	2
Number of species.	10	10	10	10	10	10	10	10	10	5	5	5	5	10	10	10	10	10	5
	13	11	11	10	10	10	11	8	13	14	13	17	12	18	15	19	15	13	16

Differentials of the variants

Hypnum ericetorum	+	1.3	1.3	1.3	3.4	2.3	+	1.3	2.3											+
Agrostis setacea	+.	2.		1.2	+.				1.2					+.						
Campanula rotundifolia										1.1	1.1	1.1								
Agrostis tenuis	1.2									+	1.2	+						1.2		
Anthoxanthum odoratum											2.1	1.1								
Pteridium aquilinum										+	r	r								
Carex flacca										1.2	1.2	+.	1.2	+	(+)	+	+	+	2.2	1.2
Plantago maritima							+						1.2	+	+	+	+	+	(+)	
Hieracium sabauda														+	+	+	+	+	+	
Serratula tinctoria	1.2												+	+	1.1	1.1	1.1	+	+	
Betonica officinalis														1.1	1.1	+	+	1.1	1.1	
Ulex gallii													2.3	3.3	3.3	3.3	3.3	3.3	3.3	
Hieracium glandulosi																				1.1
Schoenus nigricans																				
Carex pulicaris																				
Agrostis canina																				+
Linum catharticum																				
Poterium sanguisorba																				
Carex caryophyllea																				
Carlina vulgaris																				
Erica vagans																				
Sarothamnus maritimus																				
Daucus gummifer																				

Differentials of community

Genista pilosa	2.2	2.2	2.2	2.2	1.2	2.2	3.3	2.2	+	+	+	1.2	2.3	1.2	+	+	1.3	1.2	1.2	
Carex pilulifera	+.	2.	1.2	2.2				1.2	+				+							1.2
Scilla verna		1.1	+			+							+	+	+	+	+	+		

Differentials of complex

Erica cinerea	4.4	4.4	5.5	4.4	4.4	4.4	4.4	5.5	4.4	4.4	5.5	5.5	4.3	3.3	4.3	3.3	3.3	3.3	3.3	4.4
Calluna vulgaris	2.3	2.3	2.3	3.3	2.3	1.2	1.2	1.3	1.2		1.2			3.3	2.3	3.3	3.3			2.3
Potentilla erecta		1.2	1.2	1.2	1.1	1.2	1.2		1.1	+	1.1	+	1.2	1.2	+	+	1.1	1.2	1.2	
Viola riviniana					1.1	1.1	1.1		+			+	+	+	1.1	+			1.1	1.1
Sieglingia decumbens									+	+	+	+								1.2
Festuca ovina	1.2	1.2	+					1.2		2.2	2.2	2.2	1.2	2.2	1.2	1.2	1.2			
Lotus corniculatus	+					+	+			1.2	1.2	1.2								+
Thymus drucei							+		1.2				2.3	1.2	1.3	2.3			1.2	1.2
Hypochaeris radicata	+		1.1		+						+	+	+		+	+				
Plantago lanceolata											+	+								+
Holcus lanatus	+										+	+								
Polygala vulgaris		+	+	+																

Companion species

Cladonia impexa			1.3	1.3				+.												
Festuca rubra					1.2	1.2	1.2		+											
Galium saxatile	+	1.1						+												
Agrostis montana					1.2					+		+					1.2		1.1	
Galium verum																				
Viola lactea								+	1.1										1.1	
Centaurea erythraea																				
Polygala serpyllifolia																				+

Additional species: 78₁, Cladonia arbuscula 1.2; 42₁, Minuartia gerardii +.2, Hemeraria ciliata 1.1, Trifolium bocconeii +, Koleria cristata 1.2; 84₁, Solidago virgaurea +; 76₁, Pilosella officinarium +; 39₁, Filipendula vulgaris 1.2; 125₁, Trifolium striatum +, Genista tinctoria ssp. litoralis +; 124₁, Silene maritima +; 41₁, Aira caryophyllea +, Leucanthemum vulgare +; 23₁, Brachypodium sylvaticum 1.2; 62₁, Pedicularis sylvatica 1.1.

24	25	75	76	87	88	89	86	30	74	42	124	125	41	37	36	39
1	1	1	1	1	1	1	1	1	1	1	1	1	1	1	1	1
N	N	SW	SW	S	S	S	S	W	SW	SE	SE	SE	SW	SW	SW	W
25	25	20	20	20	20	20	20	20	20	10	10	10	5	20	20	20
100	100	100	100	100	100	100	100	100	100	100	100	100	100	100	100	100
10	15	-	-	-	-	-	-	-	-	-	-	-	-	-	-	-
5	5	5	5	5	5	5	5	5	5	5	5	5	5	5	5	5
17	16	18	18	16	14	15	13	11	12	14	16	17	12	11	13	10

1.3 2.3

1.2 1.2 1.2 3.3 2.2 2.2 1.2 1.2 2.2 2.2 3.3 1.2 1.2 2.2 1.2 2.2
 1.2 1.1 1.2 + 1.1 + + +.2 1.1 1.2 1.2
 + 1.1 1.1 1.2 2.2 1.2 1.2 1.2 + +
 1.1 1.1 2.2 1.1 + + + 2.2 1.2 +

1.1 1.1 + 1.1
 2.2 2.2
 + + 1.1
 +
 + +
 2.2 2.2
 1.2 1.2
 1.1 +

(+) 4.4 1.2
 1.2 2.2
 1.2 + +

2.3 2.3 1.2 1.2 2.3 3.3 3.3 2.3 2.3 2.3 3.3 2.3 1.2 3.3 2.2 3.3 2.2
 1.2 + + + + + + + + + + 1.1 +

4.4 4.4 + 3.3 3.3 3.3 3.3 3.3 3.3 3.3 1.2 3.3 3.3 3.3 3.3 3.3
 1.2 + 2.3 1.2 1.2 3.3 3.3 3.3 3.3 3.3 3.3 3.3 1.2 1.2
 1.2 + 1.1 1.1 1.1 1.2 1.2 1.2 1.2 1.2 1.2 1.2 1.1 1.2
 + + 3.3 3.3 1.2 2.2 2.2 2.1 + 2.3 1.2 + 1.2 2.2 2.2 + 3.3
 + + 3.3 2.3 2.3 1.2 2.2 1.3 2.3 1.2 3.3 + + 3.3 2.3 1.2 +
 1.2 1.3 3.3 2.3 2.3 1.2 2.2 1.3 2.3 1.2 3.3 + + 3.3 2.3 1.2 1.2
 + + + + + + + + + + + + + + +
 + + + + + + + + + + + + + + + 1.2

+ +
 1.2
 + +

+ 1.2

I.1.b. DAUCUS GUMMIFER-DACTYLIS GLOMERATA COMMUNITY

| | | | | | | | | | | | | | | | | | | |
|-----------------------|-----|-----|-----|-----|-----|-----|-----|-----|-----|-----|-----|-----|-----|-----|-----|-----|-----|-----|
| Releve number. | 21 | 22 | 48 | 49 | 40 | 38 | 16 | 17 | 18 | 50 | 51 | 20 | 21 | 22 | 11 | 12 | 11 | 12 |
| | 2 | 2 | 1 | 1 | 1 | 1 | 1 | 1 | 1 | 1 | 1 | 1 | 1 | 1 | 1 | 1 | 2 | 4 |
| Exposition. | W | SW | S | S | W | W | S | NW | NW | SW | SW | W | S | S | SW | NW | NW | W |
| Slope. | 25 | 15 | 15 | 15 | 20 | 20 | 5 | 15 | 15 | 15 | 15 | 10 | 15 | 15 | 10 | 10 | 2 | 15 |
| Phanerogam % cover. | 100 | 100 | 100 | 100 | 100 | 100 | 100 | 100 | 100 | 100 | 100 | 100 | 100 | 100 | 100 | 100 | 100 | 100 |
| Cryptogam % cover. | - | - | - | - | - | - | - | - | - | - | - | - | - | - | - | - | - | - |
| Releve area (sq. m.). | 5 | 10 | 5 | 5 | 5 | 5 | 5 | 5 | 5 | 10 | 10 | 10 | 10 | 10 | 10 | 10 | 10 | 10 |
| Number of species. | 14 | 15 | 17 | 18 | 16 | 13 | 12 | 15 | 11 | 10 | 11 | 14 | 12 | 13 | 11 | 16 | 11 | 14 |

Differentials of variants

| | | | | | | | | | | | | | | | | | | |
|------------------------|-----|-----|-----|-----|-----|-----|-----|-----|-----|-----|-----|-----|-----|-----|-----|-----|-----|---|
| Sarothamnus maritimus | + | 2.2 | 1.1 | 1.1 | 2.3 | 2.3 | 2.2 | 1.2 | 2.2 | 1.1 | 1.1 | | | | | | | |
| Carex flacca | | | 1.2 | 1.2 | 2.2 | 2.2 | | | | + | | | | | | | | |
| Serratula tinctoria | + | 2.2 | 1.1 | 1.1 | 2.3 | 2.3 | | | | | | | | | | | | |
| Plantago maritima | | | 1.2 | 2.2 | | | 1.2 | 1.2 | 1.2 | | | + | + | + | | | | |
| Scilla verna | | | + | + | | | 1.1 | + | 1.1 | | | | | | | | | |
| Betonica officinalis | + | + | 2.1 | 1.2 | | + | | | | 1.2 | | | | | | | | + |
| Campanula rotundifolia | | | | | | | | | | | | | | | | | | |
| Anthoxanthum odoratum | | | | | | | | | | | | | + | | | | | |
| Leontodon taraxacoides | | | | | | | | | | | | | | | | | | |
| Leucanthemum vulgare | | | | | | | | | | | | | | | | | | |
| Koeleria cristata | | | | | + | | | | | | | | + | | | | | |
| Hypnum ericetorum | | | | | | | | | | | | | | | | | | |
| Campylopus introflexus | | | | | | | | | | | | | | | | | | |
| Cladonia rangiformis | | | | | | | | | | | | | | | | | | |
| Parmelia physodes | | | | | | | | | | | | | | | | | | |
| Cladonia crispata | | | | | | | | | | | | | | | | | | |
| C. squarrosa | | | | | | | | | | | | | | | | | | |
| C. uncialis | | | | | | | | | | | | | | | | | | |
| Rumex acetosa | 1.1 | 1.1 | | | | | | | | | | 1.1 | + | + | 1.1 | 1.1 | 1.1 | + |
| Armeria maritima | 2.2 | + | | | | | | | | | + | | + | 1.2 | | | | + |
| Ulex europaeus | | 3.3 | | | | | | | | | | + | 2.2 | 4.4 | 5.5 | 5.5 | | |
| Silene maritima | | | | | | | | | | | | | + | + | + | 1.2 | | |

Differentials of community

| | | | | | | | | | | | | | | | | | | |
|----------------------|-----|-----|-----|---|-----|-----|---|---|---|---|-----|-----|-----|-----|-----|-----|-----|-----|
| Daucus gummifer | + | 1.1 | 1.2 | + | 1.2 | 1.2 | + | + | + | + | + | + | + | + | + | + | + | + |
| Dactylis glomerata | 2.2 | 1.2 | + | | 1.2 | | | | | | 1.2 | 1.2 | 1.2 | 1.2 | 1.2 | 1.2 | 1.2 | +2 |
| Jasione montana | | | | | | | + | + | | | | + | | | | | | |
| Anthyllis vulneraria | | | | | | | + | + | + | | | | + | + | + | + | + | |
| Agrostis tenuis | | | | | | | | | | | | | | | + | 1.2 | + | 1.2 |

Differentials of complex

| | | | | | | | | | | | | | | | | | | |
|----------------------|-----|-----|-----|-----|-----|-----|-----|-----|-----|-----|-----|-----|-----|-----|-----|-----|-----|-----|
| Erica cinerea | 3.3 | 4.3 | 3.3 | 3.3 | 3.3 | 3.3 | 3.3 | 3.3 | 3.3 | 1.2 | 2.2 | 3.3 | 4.4 | 3.3 | + | 1.2 | | 3.3 |
| Calluna vulgaris | 3.3 | 2.3 | | + | 2.3 | 1.2 | 4.4 | 1.2 | 2.2 | 5.5 | 4.4 | 4.4 | 3.3 | 3.3 | | | 5.5 | 3.3 |
| Potentilla erecta | 1.2 | 1.2 | 1.2 | 1.2 | | | | 3.3 | | | | | | | | 1.2 | 1.2 | |
| Viola riviniana | | | | | 1.2 | | | + | | | | + | | | 1.2 | + | | |
| Sieglingia decumbens | | | | | + | + | | | | | | + | | | | | | |
| Festuca ovina | 1.2 | 1.2 | 3.3 | 3.3 | 2.3 | 2.3 | 1.2 | 1.2 | 3.3 | 1.2 | 1.2 | 1.2 | + | 1.2 | + | 1.2 | + | |
| Lotus corniculatus | 1.2 | 1.1 | | 1.2 | 1.2 | 1.2 | + | + | 1.2 | 1.1 | 1.1 | 1.2 | 1.2 | + | | + | | |
| Thymus drucei | 1.2 | | 2.3 | 1.2 | 2.3 | 2.3 | | | | | | | | | | | | |
| Hypochaeris radicata | 1.2 | + | 1.2 | 1.2 | | | + | + | + | | + | 1.1 | | | | | | |
| Plantago lanceolata | | | 1.2 | + | | | | + | + | + | + | | | + | + | + | | 1.1 |
| Holcus lanatus | | 1.1 | 1.2 | 1.2 | 2.2 | 2.2 | + | 1.2 | 1.2 | + | 1.2 | 2.2 | 1.2 | + | + | + | | |
| Polygala vulgaris | | | + | 1.1 | | + | | | | | | | | | | | | |

Companion species

| | | | | | | | | | | | | | | | | | | |
|-----------------------|--|--|--|-----|--|--|--|--|--|--|--|--|--|--|---|--|---|-----|
| Rubra pegrina | | | | | | | | | | | | | | | | | | 1.2 |
| Teucrium scorodonia | | | | | | | | | | | | | | | | | + | 1.2 |
| Festuca rubra | | | | | | | | | | | | | | | | | | + |
| Pilosella officinarum | | | | | | | | | | | | | | | | | | + |
| Galium saxatile | | | | | | | | | | | | | | | | | + | + |
| Agrostis montana | | | | 1.2 | | | | | | | | | | | | | | |
| Cuscuta epithymum | | | | | | | | | | | | | | | | | | 2.2 |
| Achillea millefolium | | | | | | | | | | | | | | | + | | | |
| Rubus discolors | | | | | | | | | | | | | | | | | | + |
| Hedera helix | | | | | | | | | | | | | | | | | | |
| Luzula capestris | | | | | | | | | | | | | | | | | | |

Additional species: 48₁, Erica tetralix 1.2; 40₁, Filipendula vulgaris +; 12₄, Sedum anglicum +; 14₄₅, Rosa pimpinellifolia 2.1; 12₂, Cladonia coccifera +; 10₄, Frullania tamarisci 2.3; 24₂, Galium verum +; 23₂, Polygala serpyllifolia +; 14₁, Aira caryophylla +, Trifolium repens +; 12₁, Heracleum sphondylium +; 3₅, Aira praecox +.

| | | | | | | | | | | | | | | | |
|-----|-----|-----|-----|-----|-----|-----|-----|-----|-----|----|-----|-----|-----|-----|-----|
| 5 | 6 | 7 | 1 | 2 | 3 | 4 | 19 | 70 | 20 | 10 | 5 | 7 | 8 | 9 | 10 |
| 49 | 49 | 49 | 71 | 71 | 71 | 71 | 45 | 1 | 45 | 45 | 71 | 71 | 71 | 71 | 71 |
| NW | NW | NW | S | S | S | S | S | S | S | SW | S | SE | S | S | S |
| 20 | 20 | 20 | 10 | 10 | 30 | 10 | 3 | 20 | 3 | 10 | 15 | 10 | 15 | 10 | 10 |
| 100 | 100 | 100 | 100 | 100 | 100 | 100 | 100 | 100 | 100 | 95 | 100 | 100 | 100 | 100 | 100 |
| 5 | 5 | 10 | - | - | 2 | - | - | - | - | 10 | - | 10 | - | - | - |
| 5 | 5 | 5 | 10 | 10 | 10 | 10 | 5 | 5 | 5 | 10 | 10 | 10 | 10 | 10 | 10 |
| 12 | 14 | 10 | 13 | 12 | 9 | 10 | 9 | 11 | 9 | 7 | 12 | 8 | 16 | 12 | 10 |

1.2 1.2 + + 2.2 1.1
 + 2.2 1.2 1.2 + 2.2 + +
 3.2 2.2
 1.2 1.2 1.2 1.2 1.2 1.2 1.2 + + + 1.2 + 1.1
 + + 1.1 +
 + 1.1 + 1.2
 + 1.1 + 1.2
 + 1.2 1.2
 + 1.1 2.1 2.1 1.1 1.1 1.1
 3.3 4.4 5.5 2.2 3.3 4.4 4.4 + 3.3 4.4 5.5 4.4 3.3 3.3 3.3
 4.4 3.3 2.3 5.5 4.4 3.3 4.4 3.3 3.3 + 4.4 4.4 5.5 +
 1.2 1.2 1.2 1.1 1.2 1.1 1.1 1.1 1.1 1.2 1.1
 1.1 1.1 + 1.2 2.1 1.1 +
 1.2 2.2 2.2 + 1.2 3.3 2.2 1.2 2.2 2.2 3.3 1.2 1.2
 1.2 1.1 1.2 1.2 + 1.2 1.2 + 1.2 1.2
 1.3 2.3 1.3 + 1.1 + + 1.1 1.1 1.1 1.1 1.1
 + + 1.2 + 1.2 + 1.2 1.2 1.2 1.1 1.1 + +
 1.1 + 1.2 1.2 + 1.2 1.2 1.2 1.1 1.1 + +
 1.2
 + 1.2 + 3.3 1.2
 1.2 1.2 1.2 1.2 2.2 2.2 1.2 + 1.1 1.1
 1.2 1.2 + + +
 + + +

Additional species: ⁴49, Pteridium aquilinum +, Pseudoscleropodium purum 1.2; ²⁶45, Silene
 maritima +; ⁷71, Leontodon taraxacoides +; ⁵⁴1, Galium verum 1.1; ²⁰45, Leontodon autumalis +;
²⁷45, Taraxacum vulgare +; ²⁸45, Cladonia chlorophaea +; ¹⁰45, Cladonia fimbriata 2.3;
⁵71, Primula vulgaris 1.1.

I.1.d. HYDROCOTYLE VULGARIS COMMUNITY

| | | | | | | | |
|-----------------------|-----|-----|-----|-----|-----|-----|-----|
| Releve number. | 16 | 17 | 24 | 18 | 19 | 20 | 25 |
| | 2 | 2 | 45 | 2 | 2 | 2 | 45 |
| Exposition. | W | W | SW | W | W | W | SW |
| Slope. | 25 | 25 | 3 | 25 | 25 | 25 | 3 |
| Phanerogam % area. | 100 | 100 | 100 | 100 | 100 | 100 | 100 |
| Cryptogam % area. | - | - | - | - | - | - | - |
| Releve area (sq. m.). | 5 | 5 | 5 | 5 | 5 | 5 | 5 |
| Number of species. | 10 | 8 | 8 | 8 | 9 | 9 | 10 |

Differentials of Community

| | | | | | | | |
|-------------------------|-----|-----|-----|-----|-----|-----|-----|
| Hydrocotyle vulgaris | 1.2 | 3.3 | 3.2 | 2.3 | 1.1 | 2.2 | 2.2 |
| Brachypodium sylvaticum | 1.2 | 1.2 | | + | + | 1.2 | |
| Primula vulgaris | + | + | | (+) | 1.1 | + | |
| Molinia caerulea | | +2 | | | 1.2 | | 1.2 |

Differentials of complex

| | | | | | | | |
|----------------------|-----|-----|-----|-----|-----|-----|-----|
| Erica cinerea | 3.3 | 3.3 | | | | | 3.3 |
| Calluna vulgaris | 4.3 | 3.3 | 4.4 | 5.5 | 5.5 | 5.5 | 4.4 |
| Potentilla erecta | 1.2 | 1.2 | + | 2.2 | 2.2 | 2.2 | + |
| Viola riviniana | | | | + | | + | |
| Sieglingia decumbens | + | | + | + | | | |
| Festuca ovina | | | | | + | + | |
| Lotus corniculatus | | | 1.2 | | + | | 1.2 |
| Thymus drucei | 1.2 | 1.3 | | 1.3 | (+) | 1.3 | |
| Holcus lanatus | | | 1.2 | | | + | 1.2 |

Companion species

| | | | | | | | |
|---------------|--|--|-----|--|--|--|-----|
| Festuca rubra | | | 2.2 | | | | 1.2 |
|---------------|--|--|-----|--|--|--|-----|

Additional species: 25, Galium verum (+),
 45, Angelica sylvestris +; 16, Carex panicea +,
 2, Pulicaria dysenterica +; 24, Carex nigra +.
 45,

I.l.e. CAREX PANICEA COMMUNITY

| Releve number. | (MV
1a) | MV
1 | (MV
1b) |
|-----------------------|------------|---------|------------|
| Exposition. | - | | - |
| Slope. | - | | - |
| Phanerogam % area. | - | | - |
| Cryptogam % area. | - | | - |
| Releve area (sq. m.). | - | | - |
| Number of species. | - | | - |

Differentials of variants

| | | |
|----------------------------|-----|-----|
| Breutelia chrysocoma | II | |
| Selaginella selaginoides | II | |
| Alchemilla alpina | II | |
| Anemone nemorosa | II | |
| Cirsium heterophyllum | II | |
| Galium boreale | II | |
| Geum rivale | II | |
| Primula vulgaris | III | |
| Ranunculus acris | II | |
| Trollius europaeus | III | |
| Acrocladium cuspidatum | II | |
| Ctenidium molluscum | III | |
| Rhytidiadelphus squarrosus | III | |
| Blechnum spicant | II | |
| Prunella vulgaris | | III |
| Trifolium repens | | III |
| Koleria cristata | | III |
| Antennaria dioica | | II |
| Trifolium pratense | | II |
| Leontodon autumnalis | | II |
| Pilosella officinarum | | II |
| Carex pilulifera | | II |

Differentials of community

| | |
|----------------------------|----|
| Carex panicea | V |
| Agrostis canina | V |
| Anthoxanthum odoratum | V |
| Festuca rubra | V |
| Molinia caerulea | IV |
| Euphrasia officinalis agg. | IV |
| Hypericum pulchrum | IV |
| Linum catharticum | IV |
| Plantago maritima | IV |
| Polygala serpyllifolia | IV |
| Succisa pratensis | IV |
| Hylocomium splendens | IV |
| Pseudoscleropodium purum | IV |
| Frullaria tamarisci | IV |
| Carex pulicaris | IV |

Differentials of complex

| | |
|----------------------|---|
| Erica cinerea | V |
| Thymus drucei | V |
| Festuca ovina | V |
| Sieglingia decumbens | V |
| Lotus corniculatus | V |

I.l.e. Continued

| | |
|-----------------------------|----|
| <i>Plantago lanceolata</i> | V |
| <i>Calluna vulgaris</i> | V |
| <i>Potentilla erecta</i> | IV |
| <i>Viola riviniana</i> | IV |
| <i>Hypochaeris radicata</i> | II |

Companion species

| | |
|-----------------------------------|-----|
| <i>Salix repens</i> | II |
| <i>Nardus stricta</i> | II |
| <i>Lathyrus montana</i> | III |
| <i>Hypnum ericetorum</i> | III |
| <i>Rhytidiadelphus triquetrus</i> | II |

I.2.a. ERICA CILIARIS COMMUNITY

| | | | | | | | | | | | | | | | | |
|-----------------------|-----|-----|-----|-----|-----|-----|-----|-----|-----|-----|-----|-----|-----|-----|-----|-----|
| Releve number. | 159 | 157 | 155 | 156 | 160 | 161 | 158 | 146 | 145 | 148 | 147 | 144 | 150 | 151 | 152 | 149 |
| Exposition. | SE | SE | SE | E | E | E | SE | SW | SW | SW | SW | W | SW | SW | SW | SW |
| Slope. | 10 | 10 | 10 | 10 | 15 | 15 | 10 | 5 | 5 | 5 | 5 | - | 20 | 20 | 20 | 20 |
| Phanerogam % cover. | 100 | 100 | 100 | 95 | 100 | 100 | 100 | 95 | 95 | 95 | 95 | 95 | 100 | 100 | 100 | 100 |
| Cryptogam % area. | 2 | 15 | 10 | 10 | 2 | 2 | 5 | 30 | 30 | 30 | 30 | 25 | 20 | 40 | 15 | 10 |
| Releve area (sq. m.). | 10 | 10 | 10 | 10 | 10 | 10 | 10 | 10 | 10 | 10 | 10 | 10 | 10 | 10 | 10 | 10 |
| Number of species. | 9 | 9 | 10 | 13 | 11 | 8 | 9 | 9 | 9 | 8 | 9 | 6 | 8 | 8 | 14 | 12 |

Differentials of variants

| | | | | | | | | | | | | | | | | |
|-----------------------|-----|-----|-----|-----|-----|-----|-----|-----|-----|-----|--|--|--|--|--|--|
| Carex panicea | 2.3 | 1.2 | 1.2 | 1.2 | 1.2 | 1.2 | + | | | | | | | | | |
| Polygala vulgaris | 1.2 | 1.2 | 1.2 | + | + | + | + | | | | | | | | | |
| Calypogeia fissa | + | 1.3 | 1.3 | + | + | + | 1.2 | | | | | | | | | |
| Cascuta epithymum | + | + | + | + | + | + | + | | | | | | | | | |
| Diplophyllum albicans | | | | | | | | 2.3 | 3.3 | 2.3 | | | | | | |
| Erica tetralix | | | | | | | | | | | | | | | | |
| Hypnum ericetorum | | | | | | | | | | | | | | | | |
| Cladonia impexa | | | | | | | | 1.3 | 2.3 | 2.3 | | | | | | |
| Zygonium ericetorum | | | | | | | | | | | | | | | | |
| Cladonia arbuscula | | | | | | | | | | | | | | | | |
| Gymnocolea inflata | | | | | | | | | | | | | | | | |
| Pedicularis sylvatica | + | | | | | | | | | | | | | | | |

Differentials of community

| | | | | | | | | | | | | | | | | |
|----------------|-----|-----|-----|-----|-----|-----|-----|-----|-----|-----|-----|-----|-----|-----|---|-----|
| Erica ciliaris | 2.3 | 3.3 | 4.4 | 3.3 | 2.3 | 4.4 | 4.4 | 4.4 | 5.5 | 5.5 | 3.3 | 3.3 | 4.4 | 4.4 | + | 1.2 |
|----------------|-----|-----|-----|-----|-----|-----|-----|-----|-----|-----|-----|-----|-----|-----|---|-----|

Differentials of complex

| | | | | | | | | | | | | | | | | |
|-------------------|-----|-----|-----|-----|-----|-----|-----|-----|-----|-----|-----|-----|-----|-----|-----|-----|
| Ulex gallii | 3.3 | 2.3 | 1.2 | 2.2 | 2.3 | 2.3 | 3.3 | 2.3 | 1.2 | 1.2 | 3.3 | 3.3 | 2.2 | 1.2 | 1.2 | 1.2 |
| Agrostis setacea | 1.2 | 1.2 | 3.3 | 3.3 | 1.2 | 1.2 | 1.2 | 1.2 | 1.2 | 1.2 | 2.2 | (+) | | | | |
| Erica cinerea | 3.3 | 3.3 | + | 1.2 | 3.3 | 2.2 | 1.2 | + | + | + | 2.2 | 3.3 | | | | |
| Potentilla erecta | | | | 1.2 | | | | | | | | | | | | |
| Calluna vulgaris | 1.2 | 1.2 | | + | 2.2 | 1.2 | 1.2 | 1.2 | 2.2 | 2.2 | 3.2 | 2.3 | 1.2 | 2.2 | | |
| Molinia caerulea | + | 1.2 | + | 1.2 | 2.2 | + | + | + | 1.2 | 1.2 | 1.2 | 1.2 | + | + | + | |

Companion species

| | | | | | | | | | | | | | | | | |
|------------------------|---|--|--|--|--|--|--|--|--|--|--|--|--|--|--|--|
| Polygala serpyllifolia | | | | | | | | | | | | | | | | |
| Carex pilulifera | + | | | | | | | | | | | | | | | |
| Viola lactea | + | | | | | | | | | | | | | | | |
| Campylopus introflexus | | | | | | | | | | | | | | | | |
| Cephalozia bicuspidata | | | | | | | | | | | | | | | | |

Additional species: 156₁, Viola canina +; 146₁, Calypogeia trichomanes 2.3; 151₁, Salix repens +; 152₁, Sphagnum contortum 2.3.

I.2.b. VACCINIUM MYRTILLUS COMMUNITY

| | | | | | | | | | | | | | | | | | | | | | | | |
|-----------------------|-----|-----|----|-----|-----|-----|-----|-----|-----|-----|-----|-----|-----|-----|-----|-----|----|-----|-----|-----|-----|-----|-----|
| Releve number. | 32 | 1 | 9 | 11 | 12 | 13 | 2 | 3 | 5 | 5 | 4 | 7 | 8 | 9 | 5 | 3 | 4 | 5 | 6 | 7 | 15 | 14 | 22 |
| Exposition. | N | E | N | S | W | W | NE | NE | NE | NE | NE | E | E | E | E | N | N | N | NW | W | N | N | N |
| Slope. | - | 2 | 2 | 5 | 25 | 5 | 5 | 5 | 5 | 5 | 5 | 3 | - | - | 3 | 3 | 3 | 3 | 3 | 2 | - | - | 3 |
| Phanerogam % cover. | 100 | 100 | 80 | 100 | 100 | 100 | 100 | 100 | 100 | 100 | 100 | 100 | 100 | 100 | 100 | 100 | 95 | 100 | 100 | 100 | 100 | 100 | 100 |
| Cryptogam % area. | 30 | - | 15 | 80 | 90 | 80 | 80 | 80 | 80 | 80 | 80 | 95 | 95 | 95 | 95 | 20 | 20 | - | 65 | - | 15 | 15 | - |
| Releve area (sq. m.). | 10 | 10 | 10 | 10 | 10 | 10 | 10 | 10 | 10 | 10 | 10 | 10 | 10 | 10 | 10 | 10 | 10 | 10 | 10 | 10 | 10 | 10 | 10 |
| Number of species. | 12 | 7 | 9 | 7 | 12 | 9 | 9 | 10 | 10 | 10 | 8 | 14 | 17 | 13 | 10 | 10 | 10 | 8 | 12 | 8 | 11 | 8 | 8 |

Differentials of variants

| | | | | | | | | | | | | | | | | | | | | | | | |
|-----------------------|-------|-----|-----|-----|-----|-----|-----|-----|-----|-----|-----|-----|-----|-----|-----|-----|-----|-----|-----|-----|-----|-----|-----|
| Deschampsia flexuosa | + 2.2 | 3.2 | (+) | 1.2 | 2.2 | 2.2 | 2.2 | 2.2 | 2.2 | 2.2 | 2.2 | 2.2 | 2.2 | 2.2 | 2.2 | 2.2 | 2.2 | 2.2 | 2.2 | 2.2 | 2.2 | 2.2 | 2.2 |
| Pleurozium schreberi | 3.3 | | | 2.3 | | 3.3 | | 3.3 | | 4.4 | 3.3 | 4.4 | 3.3 | 4.4 | | | | | 3.3 | | | | |
| Cladonia arbuscula | | | | | | | | | | 1.2 | 1.2 | 1.2 | | | | | | | | | | | |
| C. pyxidata | | | | | | | | | | 2.3 | 2.3 | 2.3 | | | | | | | | | | | |
| C. chlorophaea | | | | | | | | | | | | | | | | | | | | | | | |
| Erica tetralix | | | | | | | | | | | | | | | | | | | | | | | |
| Calypogeia mülleriana | | | | | | | | | 2.2 | | | | | | | | | | | | | | |

Differential of community

| | | | | | | | | | | | | | | | | | | | | | | | |
|---------------------|-----|-----|-----|---|-----|-----|-----|-----|-----|-----|-----|-----|-----|-----|-----|-----|-----|-----|-----|-----|-----|-----|-----|
| Vaccinium myrtillus | 1.2 | 2.3 | 1.3 | + | 4.4 | 4.4 | 4.4 | 4.4 | 4.4 | 4.4 | 4.4 | 4.4 | 4.4 | 4.4 | 4.4 | 4.4 | 4.4 | 4.4 | 4.4 | 4.4 | 4.4 | 4.4 | 4.4 |
|---------------------|-----|-----|-----|---|-----|-----|-----|-----|-----|-----|-----|-----|-----|-----|-----|-----|-----|-----|-----|-----|-----|-----|-----|

Differentials of complex

| | | | | | | | | | | | | | | | | | | | | | | | |
|-------------------|-------|-----|-----|-----|-----|-----|-----|-----|-----|-----|-----|-----|-----|-----|-----|-----|-----|-----|-----|-----|-----|-----|-----|
| Ulex gallii | + 3.3 | 2.2 | 1.2 | 2.2 | 3.3 | 3.3 | 3.3 | 3.3 | 3.3 | 3.3 | 3.3 | 3.3 | 3.3 | 3.3 | 3.3 | 3.3 | 3.3 | 3.3 | 3.3 | 3.3 | 3.3 | 3.3 | 3.3 |
| Agrostis setacea | + 1.2 | | | 1.2 | +2 | +2 | + | +2 | +2 | +2 | +2 | +2 | +2 | +2 | +2 | +2 | +2 | +2 | +2 | +2 | +2 | +2 | +2 |
| Erica cinerea | 1.2 | 1.2 | + | 3.3 | 2.2 | 2.2 | 2.2 | 2.2 | 2.2 | 2.2 | 2.2 | 2.2 | 2.2 | 2.2 | 2.2 | 2.2 | 2.2 | 2.2 | 2.2 | 2.2 | 2.2 | 2.2 | 2.2 |
| Potentilla erecta | 2.3 | | | | | | | | | | | | | | | | | | | | | | |
| Calluna vulgaris | 4.4 | 4.4 | 1.2 | 5.5 | 4.5 | 4.4 | 3.3 | 3.3 | 3.3 | 4.4 | 5.5 | 5.5 | 4.4 | 3.3 | 4.4 | 4.4 | 4.4 | 4.4 | 5.5 | 5.5 | 5.5 | 5.5 | 5.5 |
| Molinia caerulea | 1.2 | | | 4.2 | | | | | | | | | | | | | | | | | | | |

Companion species

| | | | | | | | | | | | | | | | | | | | | | | | |
|------------------------------|--|--|--|--|--|--|--|--|--|--|--|--|--|--|--|--|--|--|--|--|--|--|--|
| Agrostis tenuis | | | | | | | | | | | | | | | | | | | | | | | |
| Dicranum scoparium | | | | | | | | | | | | | | | | | | | | | | | |
| Hypnum ericetorum | | | | | | | | | | | | | | | | | | | | | | | |
| Cladonia impexa | | | | | | | | | | | | | | | | | | | | | | | |
| Sorbus aucuparia (seedlings) | | | | | | | | | | | | | | | | | | | | | | | |
| Pteridium aquilinum | | | | | | | | | | | | | | | | | | | | | | | |

Additional species: ⁶3, Carex panicea +, Pinus sylvestris (seedling) r; ¹⁵5, Polygala serpyllifolia +; ³²9, Sieglingia decumbens +, Carex binervis +; ⁴3, Zygonium ericetorum 2.3, Pohlia nutans +; ¹³9, Cornicularia aculeata 3.3.

I.2.c. ERICA TETRALIX COMMUNITY

| Releve number. | 28 | 29 | 30 | 31 | 32 | 33 | 34 | 35 | 36 | 8 | 9 | 10 | 11 | 12 | 13 | 14 | 16 | 18 | 23 | 28 | 33 | 35 | 11 | 12 | 13 | 16 | 127 | 128 | 137 |
|----------------------|----|----|----|----|-----|-----|-----|-----|-----|-----|-----|-----|-----|-----|-----|-----|-----|-----|-----|-----|-----|-----|-----|-----|-----|-----|-----|-----|-----|
| Exposition. | N | N | NW | NW | W | NW | S | S | S | S | W | NW | SE | SE | SE | N | N | E | S | W | W | NW | NW | NW | NW | 5 | 1 | 1 | |
| Slope. | 3 | 2 | 10 | 10 | 10 | 10 | 5 | 5 | 5 | 5 | 3 | 5 | 3 | 3 | 3 | 3 | 3 | 2 | 3 | 3 | 10 | 10 | 10 | 10 | 10 | 100 | 100 | 100 | |
| Phanerogam % cover. | 90 | 95 | 85 | 85 | 100 | 100 | 100 | 100 | 100 | 100 | 100 | 100 | 100 | 100 | 100 | 100 | 100 | 100 | 100 | 100 | 100 | 100 | 100 | 100 | 100 | 100 | 100 | 100 | |
| Cryptogam % cover. | 50 | 5 | 30 | 30 | 2 | 2 | - | - | - | - | 20 | 20 | - | 2 | 2 | 10 | 10 | 10 | 10 | 3 | 3 | 3 | 3 | 2 | 20 | 10 | 10 | 10 | |
| Releve area (sq. m). | 10 | 10 | 10 | 10 | 10 | 10 | 10 | 10 | 10 | 10 | 7 | 10 | 10 | 10 | 10 | 9 | 9 | 7 | 5 | 6 | 6 | 6 | 8 | 9 | 7 | 10 | 10 | 10 | |
| Number of species. | 11 | 14 | 14 | 13 | 16 | 17 | 13 | 16 | 17 | 11 | 8 | 9 | 11 | 7 | 9 | 9 | 7 | 5 | 6 | 6 | 6 | 8 | 8 | 9 | 7 | 10 | 8 | 7 | |

Differentials of variants

| | | |
|------------------------|-------------|-------------|
| Cladonia squarrosa | 1.2 1.2 + | + |
| C. floerkeana | 1.2 1.2 1.2 | + |
| Polygala serpyllifolia | 1.2 1.1 | + 1.1 1.1 + |
| Cladonia crispata | 1.3 | 1.2 + |
| C. degenerens | 1.2 1.2 + | + |
| C. coccifera | 1.3 2.3 1.3 | |
| Gymnocolea inflata | + | + |
| Carex hostiana | + | 1.2 |
| C. panicea | 1.2 1.2 | 1.2 1.2 + |
| C. binervis | + | 1.1 1.1 |
| Sieglingia decumbens | + | 1.1 1.1 |
| Agrostis tenuis | 1.2 1.2 | |
| Galium saxatile | 1.2 1.2 | |
| Calypogeia arguta | 1.2 + | + |
| Cuscuta epithymum | 1.2 + | 1.2 |

Differentials of community

| | | | | | |
|-------------------|---|---|---------|-------------|---------------------------------------|
| Erica tetralix | 3.3 1.2 + 3.3 4.4 4.4 | 3.3 4.4 4.4 4.4 + | 1.2 2.2 | 1.2 3.3 1.2 | 1.2 + 1.2 1.2 2.2 1.2 2.2 2.2 3.3 4.4 |
| Ulex gallii | 2.2 1.2 1.2 1.2 1.2 2.3 3.3 3.3 2.2 2.2 2.3 | 4.4 4.4 4.4 3.3 4.4 3.3 4.4 2.3 4.4 2.3 3.3 3.3 3.3 1.2 | | | |
| Agrostis setacea | 2.2 1.2 1.2 2.2 3.2 1.2 1.2 3.2 3.2 2.2 2.2 | 2.2 + 2.2 + 2.2 2.2 2.2 | | | |
| Erica cinerea | 2.3 + 1.2 1.1 1.1 1.2 3.3 2.2 2.2 2.2 2.2 1.2 | 3.3 3.3 3.3 3.3 3.3 3.3 2.2 3.3 2.2 3.3 2.2 3.3 3.3 1.2 | | | |
| Potentilla erecta | + | 1.1 2.2 2.2 1.1 1.2 1.2 | + | | |
| Calluna vulgaris | 3.3 5.5 5.5 3.3 1.2 1.2 2.3 1.2 1.2 1.2 + | 1.2 2.2 3.3 4.4 3.3 4.4 3.3 4.4 3.3 2.2 5.5 3.3 2.2 5.5 3.3 1.2 | | | |
| Molinia caerulea | 2.2 + 1.2 1.2 2.3 3.3 3.3 1.2 + 2.2 2.2 1.2 | 1.2 2.2 2.2 1.2 + 1.2 1.2 | | | |

Companion species

| | | | | | |
|------------------------------|-----|-------------|---|-------------|-------|
| Carex pilulifera | + | 1.2 + | | | |
| Dicranum scoparium | | | + | | 2.3 |
| Hypnum ericetorum | | | + | 3.3 3.3 | 3.3 + |
| Cladonia impexa | + | | | 1.2 2.3 | 1.2 |
| C. chloropoea. | | | + | | |
| Zygogonium ericetorum | 3.3 | 3.3 3.3 3.3 | | | |
| Cladonia arbuscula | | | | 1.2 | |
| Polytrichum juniperinum | | | | | |
| Pinus sylvestris (seedlings) | r | | r | (+) (+) (+) | r |
| Ulex europaeus | | | | | |
| Cladonia gracilis | 1.2 | 1.2 | | | |
| Parmelia physodes | | | | | + |

Additional species: 131 1, Calypogeia mulleriana 1.2, 13 3, Pteridium aquilinum 1.1, 137 1, Cladonia pyxidata +.

I.2.d. AGROSTIS SETACEA COMMUNITY

Releve number. 141 142 50 51 55 57 56 139 140 153 162 43 52 53 54 138
 Exposition. N S W NE 2 W W W N N SW E W NE SE E N
 Slope. - 15 - 2 2 - - - 5 5 20 2 - 30 30 - 35
 Phanerogam % cover. 100 100 100 100 100 100 100 100 100 100 100 100 100 100 90
 Cryptogam % cover. 40 - - 30 20 70 - - - - 50 - 10
 Relieve area (sq. m.). 10 10 10 10 10 10 10 10 10 10 10 10 10 10 10
 Number of species. 8 6 9 10 8 9 8 8 6 7 6 10 9 8 6 8

Differentials of variants

Erica tetralix + 1.2 + 3.3 + 1.2 +
 Hypnum ericetorum 2.3 3.3 4.4 2.3
 Parmelia physodes + + 2.3 1.2

Differentials of community and complex

Ulex gallii 2.2 3.3 3.3 3.3 3.3 3.3 1.2 2.3 3.3 3.3 3.3 3.3 3.3 3.3 3.3
 Agrostis setacea 2.2 +.2 1.2 1.2 1.2 +.2 2.2 1.2 2.2 2.2 2.2 2.2 2.2 2.2 3.2
 Erica cinerea 2.2 3.3 2.2 1.2 3.3 3.3 2.2 3.3 4.3 3.3 4.4 4.4 3.3 2.2 4.4 3.3
 Potentilla erecta 4.4 3.3 4.4 3.3 4.4 3.3 5.5 3.3 1.1 2.2 1.2 2.2 1.2 1.2
 Calluna vulgaris 1.2 1.2 2.2 1.2 3.3 2.2 1.2 + 2.2 1.2 1.2 1.2 1.2 1.2
 Molinia caerulea

Companion species

Viola lactea + +
 Cladonia pyxidata + +
 Betula (seedling) + 2.2 + 2.3 + 1.2
 Cladonia impexa r
 Pinus sylvestris seedling r
 Zygogonium ericetorum 3.3 2.3 + +
 Polygala serpyllifolia + +

Additional species: 139 1, Cladonia degenerens 1.2; 43 3, Sorbus aucuparia (seedlings) +;
 51 3, Cladonia uncialis +, Scirpus caespitosus 1.2; 52 3, Calypogeia mülleriana 1.3,
 Campylopus flexuosus +; 53 3, Cladonia arbuscula +, Leucobryum glaucum 1.2; 55 3, Dicranum
 scoparium 1.2.

I.2.e. VIOLA LACTEA COMMUNITY

| | | | | | | | | | | | | | | | |
|-----------------------|-----|-----|-----|----|----|-----|-----|-----|-----|-----|----|-----|-----|-----|-----|
| Releve number. | 31 | 32 | 33 | 34 | 26 | 71 | 73 | 27 | 29 | 77 | 91 | 92 | 93 | 94 | 95 |
| Exposition. | 1 | 1 | 1 | 1 | 1 | 1 | 1 | 1 | 1 | 1 | 1 | 1 | 1 | 1 | 1 |
| Slope. | W | W | W | W | E | SW | SW | E | E | NW | S | S | S | S | S |
| Phanerogam % cover. | 30 | 30 | 30 | 30 | 2 | 25 | 25 | 2 | 2 | 10 | 20 | 20 | 20 | 20 | 20 |
| Cryptogam % cover. | 100 | 100 | 100 | 95 | 90 | 100 | 100 | 100 | 100 | 100 | 80 | 100 | 100 | 100 | 100 |
| Releve area (sq. m.). | 5 | 5 | 5 | 5 | 10 | 10 | 10 | 10 | 10 | 10 | 10 | 10 | 10 | 10 | 10 |
| Number of species. | 13 | 12 | 16 | 13 | 11 | 15 | 10 | 9 | 10 | 7 | 9 | 9 | 10 | 10 | 10 |

Differentials of variants

| | | | | | | | | | | | | | | | |
|------------------------|-----|-----|-----|-----|-----|-----|-----|-----|-----|---|-----|-----|-----|-----|-----|
| Betonica officinalis | + | + | + | + | + | + | + | 1.1 | 1.1 | + | | | | | |
| Thymus drucei | 1.2 | 2.2 | 2.2 | 1.2 | 1.2 | 1.2 | 1.2 | 1.2 | 1.2 | | | | | | |
| Carex flacca | (+) | 1.2 | + | + | + | + | + | | | | | | | | |
| Campylopus introflexus | 1.1 | 1.1 | + | + | | | | | | | | | | | |
| Cladonia rangiformis | + | + | + | + | | | | | | | | | | | |
| C. impexa | + | + | + | + | | | | | | | | | | | |
| Polygala serpyllifolia | + | | | | | | | | | | | | | | |
| Serratula tinctoria | | | | | | | | | | | | | | | |
| Plantago maritima | | | | | | | | | | | | | | | |
| Hypericum humifusum | | | | | | | | | | | | | | | |
| Holcus lanatus | | | | | | | | | | | 2.2 | 1.2 | 2.2 | 2.2 | 1.2 |
| Agrostis tenuis | | | | | | | | | | | | | | | |

Differentials of community

| | | | | | | | | | | | | | | | |
|----------------------|-----|---|---|---|---|---|-----|---|-----|-----|---|---|-----|-----|-----|
| Sieglingia decumbens | + | | | | | | | | | | | | | | |
| Carex pilulifera | | | | | | | | | | | | | | | |
| Viola canina | + | | | | | | | | | | | | | | |
| Agrostis montana | | | | | | | | | | | | | | | |
| Viola lactea | 1.1 | + | + | + | + | + | 1.2 | + | 1.1 | 1.1 | + | + | 1.1 | 1.1 | 1.1 |
| Hypochoeris radicata | + | + | + | + | | | | | | | | | | | |
| Hieracium sabauda | + | + | + | + | | | | | | | | | | | |

Differentials of complex

| | | | | | | | | | | | | | | | |
|-------------------|-----|-----|-----|-----|-----|-----|-----|-----|-----|-----|-----|-----|-----|-----|-----|
| Ulex gallii | 3.3 | 3.3 | 3.3 | 3.3 | 3.3 | 3.3 | 3.3 | 3.3 | 3.3 | 3.3 | 3.3 | 3.3 | 3.3 | 3.3 | 3.3 |
| Agrostis setacea | | | | | | | | | | | | | | | |
| Erica cinerea | 4.4 | 3.3 | 4.4 | 3.3 | 3.3 | 4.4 | 3.3 | 3.3 | 4.4 | 4.4 | 4.4 | 4.4 | 4.4 | 4.4 | 3.3 |
| Calluna vulgaris | + | + | + | + | 2.3 | + | + | + | + | + | 1.2 | 2.3 | 2.3 | 2.3 | 3.3 |
| Potentilla erecta | 1.2 | 1.2 | 1.2 | 1.2 | + | + | 1.2 | 1.1 | 1.1 | 1.1 | 1.1 | 1.1 | 1.1 | 1.1 | 1.1 |
| Molinia caerulea | | | | | | | | | | | | | | | |

Companion specie

| | | |
|--------------------|-----|---|
| Euphrasia vigursii | 1.1 | + |
|--------------------|-----|---|

Additional species: 77₁, Hypnum ericetorum 1.2; 34₁, Pilosella officinarum +.

Additional species: 100₁, *Parmelia physodes* +, *Juncus conglomeratus* +.2, *J. effusus* r, *Rubus fruticosus* S.L. +,
Salix repens +; 120₁, *Lotus corniculatus* +, *Calyptogeia fissa* 1.2; 115₁, *Hypochoeris radicata* +; 101₁, *Festuca*
rubra +; 109₁, *Breutelia chrysocoma* +; 111₁, *Campylopus brevipilus* +.

I.2.f. AGROSTIS TENUIS COMMUNITY

| | | | | | |
|-----------------------|-----|-----|-----|-----|-----|
| Releve number. | 58 | 57 | 10 | 15 | 13 |
| | 1 | 1 | 2 | 2 | 2 |
| Exposition. | E | E | S | S | NE |
| Slope. | - | - | 15 | 15 | 20 |
| Phanerogam % cover. | 100 | 100 | 100 | 100 | 100 |
| Cryptogam % cover. | 15 | - | - | - | - |
| Releve area (sq. m.). | 10 | 10 | 10 | 10 | 10 |
| Number of species. | 8 | 9 | 10 | 10 | 5 |

Differentials of community

| | | | | | |
|----------------------|------|------|-----|-----|------|
| Agrostis tenuis | + | + | + | + | |
| Carex pilulifera | + | + .2 | | | |
| Viola riviniana | | + | | + | |
| Thymus drucei | | | 1.3 | 1.3 | |
| Dactylis glomerata | | | 1.2 | + | + .2 |
| Rumex acetosa | | | + | + | |
| Festuca ovina | + .2 | | 1.2 | | |
| Rosa pimpinellifolia | | | + | | 3.3 |
| Hypnum ericetorum | 2.3 | + | | | |

Differentials of complex

| | | | | | |
|-------------------|------|-----|-----|-----|-----|
| Ulex gallii | 2.3 | 2.3 | 3.3 | 3.3 | 4.3 |
| Agrostis setacea | + .2 | 1.2 | | | |
| Erica cinerea | 4.4 | 4.4 | 1.2 | 3.3 | 2.3 |
| Potentilla erecta | | + | | | |
| Calluna vulgaris | 3.3 | 2.3 | 4.3 | 3.3 | 3.3 |

Additional species: ¹⁵₂, Pteridium aquilinum +,
Holcus lanatus 2.2; ¹⁰₂, Teucrium scorodonia +.

I.2.g. SIEGLINGIA DECUMBENS COMMUNITY

| | | | | | | |
|-----------------------|-----|-----|-----|-----|-----|-----|
| Releve number. | 44 | 45 | 46 | 47 | 48 | 49 |
| | 3 | 3 | 3 | 3 | 3 | 3 |
| Exposition. | SW | SW | E | E | W | W |
| Slope. | - | - | 5 | 5 | 5 | 5 |
| Phanerogam % cover. | 100 | 100 | 100 | 100 | 100 | 100 |
| Cryptogam % cover. | 10 | - | 20 | 20 | 15 | 15 |
| Releve area (sq. m.). | 10 | 10 | 10 | 10 | 10 | 10 |
| Number of species. | 11 | 10 | 12 | 12 | 13 | 13 |

Differentials of variants

| | | | | | | |
|------------------------------|-----|------|-----|-----|------|-----|
| <i>Carex binervis</i> | 1.2 | + | | | | |
| <i>Nardus stricta</i> | 1.2 | + .2 | | | | |
| <i>Anthoxanthum odoratum</i> | | | + | + | 1.2 | + |
| <i>Cascuta epithymum</i> | | | 2.3 | (+) | + .2 | + |
| <i>Galium saxatile</i> | | | 1.2 | 2.3 | 2.3 | 1.2 |
| <i>Vaccinium myrtillus</i> | | | | | 2.2 | 1.2 |

Differentials of community

| | | | | | | |
|-----------------------------------|-----|------|------|-----|------|-----|
| <i>Sieglingia decumbens</i> | 1.2 | 1.2 | 1.2 | 1.2 | + | 1.2 |
| <i>Festuca rubra</i> | + | + .2 | + .2 | 1.2 | + | + |
| <i>Pleurozium schreberi</i> | 1.2 | | | 1.3 | 1.2 | + |
| <i>Agrostis tenuis</i> | | + | 1.2 | 1.2 | + .2 | 1.2 |
| <i>Rhytidiadelphus squarrosus</i> | 1.2 | | 2.3 | | + | |

Differentials of complex

| | | | | | | |
|--------------------------|------|-----|------|-----|-----|-----|
| <i>Ulex gallii</i> | 5.5 | 5.5 | 5.5 | 5.5 | 4.4 | 4.4 |
| <i>Agrostis setacea</i> | | 1.2 | + .2 | 1.2 | | 1.2 |
| <i>Erica cinerea</i> | 1.2 | 2.2 | 2.2 | 3.3 | 3.3 | 3.3 |
| <i>Potentilla erecta</i> | 1.2 | + | 1.2 | + | 1.2 | 2.1 |
| <i>Calluna vulgaris</i> | 2.2 | 1.2 | 1.2 | 1.2 | 2.1 | 3.3 |
| <i>Molinia caerulea</i> | + .2 | | | | | |

I.3.b. DAUCUS GUMMIFER COMMUNITY

| | | | | | | | |
|----------------------|-----|-----|-----|-----|-----|-----|-----|
| Releve number. | 102 | 103 | 104 | 105 | 106 | 107 | 108 |
| | 1 | 1 | 1 | 1 | 1 | 1 | 1 |
| Exposition. | S | S | S | S | S | NW | W |
| Slope. | 5 | 5 | 2 | 4 | 2 | 5 | 20 |
| Phanerogam % area. | 100 | 100 | 100 | 100 | 100 | 100 | 100 |
| Cryptogam % area. | - | - | - | - | - | 5 | - |
| Releve area (sq. m). | 10 | 10 | 10 | 10 | 10 | 10 | 5 |
| Number of species. | 17 | 22 | 14 | 16 | 18 | 16 | 19 |

Differentials of variants

| | | | | | | | |
|-----------------------------|---|-----|-----|---|---|--|--|
| <i>Carlina vulgaris</i> | + | 1.1 | | | | | |
| <i>Pimpinella saxifraga</i> | + | + | | | | | |
| <i>Lotus corniculatus</i> | + | + | | | + | | |
| <i>Geranium sanguineum</i> | | | 1.2 | + | + | | |

Differentials of community

| | | | | | | | |
|--------------------------------|-----|-----|-----|-----|-----|-----|-----|
| <i>Sanguisorba officinalis</i> | + | | 1.2 | | (+) | 1.1 | |
| <i>Viola riviniana</i> | 1.2 | + | | + | | + | 1.1 |
| <i>Betonica officinalis</i> | + | + | 1.1 | + | 1.1 | + | + |
| <i>Brachypodium sylvaticum</i> | + | + | 2.2 | 1.2 | 1.2 | 2.2 | 2.2 |
| <i>Daucus gummifer</i> | + | + | + | + | + | + | + |
| <i>Filipendula vulgaris</i> | 1.2 | 1.2 | + | 1.2 | + | 1.2 | |
| <i>Agrostis montana</i> | + | | + | + | | | + |
| <i>Dactylis glomerata</i> | | + | + | | + | 2.3 | |
| <i>Ulex europaeus</i> | 3.3 | 3.3 | 1.2 | 1.2 | 3.3 | | |
| <i>Holcus lanatus</i> | | + | | + | | | 1.2 |

Differentials of complex

| | | | | | | | |
|-----------------------------|-----|-----|-----|-----|-----|-----|-----|
| <i>Erica vagans</i> | 3.3 | 3.3 | 4.4 | 4.4 | 4.4 | 5.5 | 4.4 |
| <i>Carex flacca</i> | 1.2 | 1.2 | 1.2 | 1.2 | + | + | 1.2 |
| <i>Schoenus nigricans</i> | 2.2 | 3.2 | 2.2 | 2.2 | +2 | + | |
| <i>Potentilla erecta</i> | 1.2 | + | | + | | 1.2 | + |
| <i>Calluna vulgaris</i> | | | + | | 1.2 | | 1.2 |
| <i>Hypnum ericetorum</i> | | | | | | 1.3 | |
| <i>Sieglingia decumbens</i> | 1.2 | 1.2 | | 1.2 | | | |
| <i>Erica cinerea</i> | 2.3 | + | | 1.2 | 1.2 | + | 2.2 |

Companion species

| | | | | | | | |
|------------------------------|--|---|---|---|-----|-----|---|
| <i>Serratula tinctoria</i> | | + | | | | | + |
| <i>Sarothamnus maritimus</i> | | | | | 1.2 | 1.2 | |
| <i>Festuca rubra</i> | | | + | | | + | |
| <i>Hypochaeris radicata</i> | | + | | + | | | |
| <i>Jasione montana</i> | | | | | + | | + |

Additional species: ¹⁰³₁, *Solidago virgaurea* +, *Thymus drucei* +; ¹⁰⁶₁, *Prunus spinosa* 1.2, *Eupatorium cannabinum* r; ¹⁰⁷₁, *Achillea millefolium* +; ¹⁰⁸₁, *Plantago maritima* 1.2, *Festuca ovina* 2.3, *Hypericum pulchrum* 1.1, *Anthoxanthum odoratum* +, *Koeleria cristata* +.

I.4.a. FESTUCA RUBRA COMMUNITY

| | | | | | | | | | | | | | | | | | | | | | | |
|-----------------------|-----|-----|-----|-----|-----|-----|-----|-----|-----|-----|-----|-----|-----|-----|-----|-----|-----|-----|-----|-----|-----|-----|
| Releve number. | 8 | 9 | 10 | 11 | 12 | 13 | 17 | 17 | 4 | 18 | 19 | 20 | 10 | 10 | 15 | 22 | 5 | 52 | 18 | 19 | 7 | 34 |
| Exposition. | 49 | 49 | 49 | 49 | 49 | 49 | 49 | 49 | 49 | 49 | 49 | 49 | 48 | 48 | 49 | 49 | 52 | 71 | 71 | 71 | 71 | 34 |
| Slope. | NW | NW | SW | SW | NE | SW | NW | NW | S | SW | NW | SW | W | NW | W | SW | N | W | SE | E | E | E |
| Phanerogam % cover. | 5 | 5 | 10 | 10 | 5 | 5 | 15 | 5 | 5 | 5 | 10 | 5 | 10 | 5 | 10 | 5 | 20 | 5 | 15 | 20 | 30 | 3 |
| Cryptogam % cover. | 100 | 100 | 100 | 100 | 100 | 100 | 100 | 100 | 100 | 100 | 100 | 100 | 100 | 100 | 100 | 100 | 100 | 100 | 100 | 100 | 100 | 100 |
| Releve area (sq. m.). | 2 | 10 | - | - | 2 | - | - | - | - | - | - | - | 10 | 5 | 50 | 40 | - | 2 | - | - | - | - |
| Number of species. | 10 | 10 | 10 | 10 | 10 | 10 | 10 | 10 | 10 | 10 | 10 | 10 | 10 | 10 | 10 | 10 | 10 | 10 | 10 | 10 | 10 | 10 |

Differentials of variants

| | | | | | | | | | | | | | | | | | | | | | | |
|------------------------|-----|-----|-----|---|---|---|-----|-----|-----|-----|-----|-----|-----|-----|--|--|--|--|--|--|--|--|
| Agrostis montana | 1.2 | 1.2 | + | + | + | + | + | + | + | 1.2 | | | | | | | | | | | | |
| Carex pilulifera | 1.2 | 1.2 | 1.2 | | | | 1.2 | 1.2 | 1.2 | | | | | | | | | | | | | |
| Campanula rotundifolia | | | | | | | | | | 1.1 | + | 1.1 | | | | | | | | | | |
| Viola canina | | | | | | | | | | + | + | 1.1 | 1.2 | | | | | | | | | |
| Hypnum ericetorum | + | 2.3 | | | | | | | | 1.3 | 1.3 | 1.3 | 3.3 | 3.3 | | | | | | | | |

Differentials of community

| | | | | | | | | | | | | | | | | | | | | | | |
|-----------------------|---|---|---|-----|-----|-----|-----|-----|-----|-----|-----|-----|--|--|-----|-----|---|-----|---|-----|---|--|
| Festuca rubra | + | + | + | + | 1.2 | 1.2 | 2.3 | + | 2 | 1.2 | 1.2 | 1.2 | | | 1.2 | 1.2 | + | 1.2 | + | 1.2 | + | |
| Anthoxanthum odoratum | + | | | | 2.2 | + | 1.2 | + | + | 1.2 | | | | | | | | | | | | |
| Galium saxatile | | | + | 1.2 | 1.3 | 2.3 | 1.3 | 2.3 | 1.2 | + | | | | | | | | | | | | |

Differentials of complex

| | | | | | | | | | | | | | | | | | | | | | | |
|----------------------|-----|-----|-----|-----|-----|-----|-----|-----|-----|-----|-----|-----|-----|-----|-----|-----|-----|-----|-----|-----|-----|-----|
| Ulex gallii | 2.3 | 1.2 | 4.4 | 5.5 | | 4.4 | 2.3 | 5.5 | 4.4 | 4.4 | 4.4 | 5.5 | 4.4 | 4.4 | 4.4 | 3.3 | 4.4 | 4.4 | 3.3 | 4.4 | 3.3 | 2.3 |
| Erica cinerea | 3.3 | 3.3 | 3.3 | 2.3 | 5.5 | 3.3 | 4.4 | 3.3 | 3.3 | 3.3 | 2.2 | 2.2 | 2.2 | 2.3 | 3.3 | 3.3 | 2.2 | 3.3 | 3.3 | 4.4 | 2.2 | 2.3 |
| Potentilla erecta | | | + | | 1.1 | + | 1.2 | 1.3 | 1.2 | 1.2 | | 1.2 | | 1.3 | 1.2 | 1.2 | + | | | | | |
| Calluna vulgaris | 4.4 | 4.4 | 1.3 | 1.2 | | 2.3 | 3.3 | 1.3 | 1.3 | + | | 2.2 | 3.3 | 3.3 | 3.3 | 3.3 | 3.3 | 1.2 | 4.4 | | | |
| Agrostis tenuis | 1.2 | 1.2 | 1.2 | | 1.2 | + | 1.2 | 3.3 | 1.2 | + | 1.2 | 2.2 | 1.2 | 1.2 | + | 1.2 | | | | | | |
| Sieglingia decumbens | + | 1.2 | + | 1.2 | 1.2 | 1.2 | | 1.1 | 1.2 | 1.2 | + | 1.2 | 1.2 | 1.2 | + | 2.2 | 1.2 | 1.2 | 1.2 | + | 2.2 | + |

Companion species

| | | | | | | | | | | | | | | | | | | | | | | |
|---------------------------|-----|--|--|--|--|--|-----|--|--|-----|---|---|-----|---|-----|-----|--|--|--|--|--|-----|
| Molinia caerulea | | | | | | | | | | 1.2 | | | | | | | | | | | | 4.4 |
| Teucrium scorodonia | | | | | | | | | | | + | + | + | + | | | | | | | | + |
| Carex binervis | | | | | | | 1.2 | | | | | | | | | | | | | | | |
| Pleurozium schreberi | | | | | | | 3.3 | | | | | | | | | 2.3 | | | | | | |
| Rhytidadelphus squarrosus | | | | | | | | | | 1.2 | | | | | 1.2 | | | | | | | |
| Polygala serpyllifolia | | | | | | | | | | 1.2 | | | | | | | | | | | | |
| Pseudoscleropodium purum | | | | | | | | | | 1.3 | | | | | | | | | | | | |
| Dicranum scoparium | | | | | | | | | | | | | 1.2 | | | | | | | | | |
| Vaccinium myrtillus | | | | | | | | | | | | | 1.2 | | | | | | | | | |
| Lophozia ventricosa | | | | | | | | | | | | | 1.2 | | | | | | | | | |
| Hypochaeris radicata | 1.2 | | | | | | | | | | | | | | | | | | | | | + |

Additional species: 8 49, Pohlia nutans +; 4 34, Rumex acetosella 1.2, Agrostis stolonifera 3.3, Dicrenella varia +, Holcus lanatus +, Solidago virgaurea +, Rumex acetosa +; 19 49, Galium verum +; 11 48, Deschampsia flexuosa 1.2; 13 48, Nardus stricta +.2; 16 49, Carex flacca +; 6 52, Polytrichum juniperinum 1.2; 18 71, Pteridium aquilinum +; 1 34, Erica tetralix +; 15 49, Cladonia arbuscula 1.2, Hylocomium splendens 1.2.

I.4.b. ULEX GALLII COMMUNITY

| | | | | | | | | | | | | | | | | | | | | | | |
|--------------------|-----|-----|-----|-----|-----|-----|-----|-----|-----|-----|-----|-----|-----|-----|-----|-----|-----|-----|-----|-----|----|----|
| Releve number. | 21 | 14 | 13 | 6 | 9 | 10 | 12 | 22 | 8 | 6 | 7 | 3 | 4 | 15 | 16 | 17 | 21 | 23 | 24 | 14 | 44 | 45 |
| Exposition. | 49 | 48 | 71 | 6 | 6 | 6 | 48 | 49 | 6 | 6 | 6 | 52 | 52 | 52 | 71 | 71 | 71 | 71 | 71 | 71 | 71 | 71 |
| Slope. | SE | NE | NE | E | E | E | NE | SE | E | E | E | S | S | S | SE | SE | SW | NW | S | SE | S | S |
| Phaerogam % cover. | - | 15 | 5 | 5 | - | - | 10 | - | 5 | 5 | 5 | 15 | 15 | 5 | - | 10 | 20 | 15 | 15 | 5 | 5 | 5 |
| Cryptogam % cover. | 100 | 100 | 100 | 100 | 100 | 100 | 100 | 100 | 100 | 100 | 100 | 100 | 100 | 100 | 100 | 100 | 100 | 100 | 100 | 100 | 80 | 85 |
| Releve area. | - | 20 | 15 | 15 | 60 | 50 | - | - | - | - | - | - | - | 10 | - | - | - | 5 | - | - | 5 | 15 |
| Number of species. | 10 | 10 | 10 | 10 | 10 | 10 | 10 | 10 | 10 | 10 | 10 | 10 | 10 | 10 | 10 | 10 | 10 | 10 | 10 | 10 | 10 | 10 |
| | 5 | 13 | 7 | 9 | 10 | 7 | 9 | 5 | 8 | 5 | 9 | 6 | 6 | 5 | 8 | 7 | 8 | 6 | 7 | 7 | 7 | 13 |

Differentials of variants

| | | | | | | | | | | | | | | | | | | | | | | |
|---------------------|-----|-----|-----|-----|-----|-----|-----|-----|-----|-----|--|--|--|--|--|--|--|-----|--|--|--|------|
| Molinia caerulea | 2.2 | 2.3 | 1.3 | 2.2 | (+) | 1.2 | 2.2 | 1.2 | 2.2 | 2.2 | | | | | | | | | | | | |
| Hypnum ericetorum | 2.3 | 1.2 | 2.3 | 3.3 | 3.3 | | | | | | | | | | | | | 1.2 | | | | + .2 |
| Erica tetralix | 1.2 | 1.2 | + | | | | | | | | | | | | | | | | | | | 1.2 |
| Ulex europaeus | | | | | | | | | | | | | | | | | | | | | | |
| Pteridium aquilinum | | | | | | | | | | | | | | | | | | | | | | |
| Scirpus caespitosus | | | | | | | | | | | | | | | | | | | | | | + .2 |
| Zygonium ericetorum | | | | | | | | | | | | | | | | | | | | | | 1.3 |
| Carex nigra | | | | | | | | | | | | | | | | | | | | | | 1.2 |
| C. panicea | | | | | | | | | | | | | | | | | | | | | | 2.2 |

Differentials of community and complex

| | | | | | | | | | | | | | | | | | | | | | | |
|----------------------|-----|-----|-----|-----|-----|-----|-----|-----|-----|-----|-----|-----|-----|-----|-----|-----|-----|-----|-----|-----|-----|-----|
| Ulex gallii | 3.3 | 4.4 | 4.4 | 3.3 | 4.4 | 4.4 | 4.4 | 4.4 | 3.3 | 3.3 | 3.3 | 4.4 | 4.4 | 3.3 | 3.3 | 1.2 | 5.5 | + | + | 3.3 | 2.3 | 1.2 |
| Erica cinerea | 2.3 | 3.3 | 1.2 | + | + | 3.3 | 3.3 | 3.3 | + | 3.3 | 3.3 | + | 3.3 | 3.3 | + | 1.2 | 2.2 | 3.3 | 1.1 | 1.2 | 4.4 | 3.3 |
| Potentilla erecta | 1.2 | | | | | 1.2 | + | 1.2 | 1.2 | | | | | | | 1.2 | 2.2 | 1.1 | 1.1 | + | | + |
| Calluna vulgaris | 4.4 | 2.3 | 3.3 | 4.4 | 3.3 | 3.3 | 2.3 | 3.3 | 4.4 | 1.3 | 2.3 | 5.5 | 4.4 | 5.5 | 1.2 | 1.2 | 5.5 | 5.5 | 2.3 | 3.3 | 3.3 | 3.3 |
| Agrostis tenuis | | | | | 1.3 | + | + | + | | + | 1.2 | | | | 1.2 | 1.2 | 1.2 | + | + | 1.2 | 1.2 | 1.2 |
| Sieglingia decumbens | 1.2 | | | | | + | + | | | | | | | | + | 1.2 | 1.2 | 1.2 | + | 2.2 | 2.2 | 1.2 |

Companion species

| | | | | | | | | | | | | | | | | | | | | | | |
|------------------------------|-----|--|--|--|-----|---|--|--|--|--|--|--|--|--|--|--|--|--|--|--|--|-----|
| Galium saxatile | 1.2 | | | | | | | | | | | | | | | | | | | | | |
| Deschampsia flexuosa | | | | | 2.2 | + | | | | | | | | | | | | | | | | 1.2 |
| Festuca ovina | | | | | | | | | | | | | | | | | | | | | | |
| Parmelia physodes | | | | | | | | | | | | | | | | | | | | | | |
| Carex binervis | | | | | | | | | | | | | | | | | | | | | | |
| Polygala vulgaris | | | | | | | | | | | | | | | | | | | | | | |
| Cladonia furcata | | | | | | | | | | | | | | | | | | | | | | |
| Pinus sylvestris (seedlings) | | | | | | | | | | | | | | | | | | | | | | |
| Campylopus flexuosus | | | | | | | | | | | | | | | | | | | | | | |
| Nardus stricta | 1.2 | | | | | | | | | | | | | | | | | | | | | 1.2 |

Additional species: ¹⁴48, Pleurozium schreberi 2.3, Rhytidiadelphus squarrosus 1.2; ⁶6, Cladonia fimbriata 1.2, C. impexa 1.2, C. coccifera +; ⁸6, Carex pilulifera +; ³52, Rubus fruticosus S.L. +, Agrostis montana +; ¹⁷71, Polytrichum piliferum +; ²¹71, Carex flacca 1.2; ²⁴71, Vaccinium myrtillus +; ¹⁴71, Polygala serpyllifolia +; ⁴⁴71, Viola riviniana 2.3, Cladonia spp. +; ¹³71, Lophocolea bidentata 1.2.

I.4.c. CAREX FLACCA COMMUNITY

| | | | | | |
|---------------------|-----|-----|-----|-----|-----|
| Releve number. | 18 | 22 | 15 | 16 | 17 |
| | 6 | 57 | 6 | 6 | 6 |
| Exposition. | W | W | W | W | W |
| Slope. | 15 | 10 | 10 | 10 | 10 |
| Phanerogam % cover. | 100 | 100 | 100 | 100 | 100 |
| Cryptogam % cover. | - | - | - | - | - |
| Releve area. | 10 | 15 | 10 | 10 | 10 |
| Number of species. | 12 | 19 | 16 | 16 | 20 |

Differentials of variant

| | | | | | |
|-----------------------------------|--|--|---|---|-----|
| Helictotrichon pratense | | | | + | + |
| Crataegus monogyna
(seedlings) | | | | + | + |
| Betonica officinalis | | | + | | + |
| Brachypodium pinnatum | | | + | + | 1.2 |
| Lotus corniculatus | | | + | + | + |
| Cirsium acaule | | | + | | + |

Differentials of community

| | | | | | |
|--------------------------|---|-----|-----|-----|-----|
| Festuca rubra | + | + | + | + | 1.2 |
| Viola canina | + | | | + | |
| Carex flacca | + | + | + | 1.2 | 1.2 |
| Thymus drucei | | + | + | + | + |
| Filipendula vulgaris | | + | + | + | + |
| Helianthemum nummularium | | + | | +.2 | |
| Galium verum | + | + | 1.2 | | 1.2 |
| Hypericum pulchrum | + | + | + | | + |
| Agrostis stolonifera | + | 1.1 | 1.2 | 1.2 | 1.2 |

Differentials of complex

| | | | | | |
|----------------------|-----|-----|-----|-----|-----|
| Ulex gallii | 3.3 | 5.5 | 4.4 | 4.4 | 4.4 |
| Erica cinerea | | | 3.3 | 3.3 | 3.3 |
| Potentilla erecta | 1.3 | 1.1 | 1.2 | 1.2 | 2.2 |
| Calluna vulgaris | 3.3 | 1.2 | 2.3 | 3.3 | 2.2 |
| Agrostis tenuis | + | | | | 1.2 |
| Sieglingia decumbens | | | + | + | + |

Companion species

| | | | | | |
|------------------|--|---|--|--|---|
| Senecio jacobaea | | + | | | + |
|------------------|--|---|--|--|---|

Additional species: ⁸6, Galium saxatile +, Molinia caerulea 3.3; ²²57, Anthoxanthum odoratum +, Teucrium scorodonia +, Hypochaeris radicata +, Viola riviniana +, Poterium sanguisorba +, Koeleria cristata +, Plantago lanceolata +.

I.4.d. POLYTRICHUM PILIFERUM COMMUNITY

| | | | | | | | |
|-----------------------|----|----|----|----|----|----|----|
| Releve number. | 57 | 47 | 55 | 56 | 52 | 51 | 54 |
| | 40 | 40 | 40 | 40 | 40 | 40 | 40 |
| Exposition. | S | S | SW | S | S | S | SW |
| Slope. | 35 | 30 | 45 | 45 | 45 | 25 | 30 |
| Phanerogam % cover. | 90 | 95 | 90 | 95 | 90 | 90 | 95 |
| Cryptogam % cover. | 15 | 2 | 30 | 5 | 2 | 15 | 2 |
| Releve area (sq. m.). | 20 | 16 | 15 | 16 | 10 | 16 | 16 |
| Number of species. | 26 | 18 | 17 | 20 | 28 | 18 | 15 |

Differentials of variants

| | | | | | | | |
|------------------------------|-----|---|-----|-----|-----|---|-----|
| <i>Jasione montana</i> | 1.1 | + | + | 1.2 | 2.1 | | |
| <i>Sarothamnus scoparius</i> | +.2 | | | +.2 | r | | |
| <i>Digitalis purpurea</i> | 1.1 | + | + | + | r | | |
| <i>Festuca ovina</i> | | | +.2 | 2.2 | 2.3 | | |
| <i>Teucrium scorodonia</i> | | | 2.2 | +.2 | + | | |
| <i>Rumex acetosella</i> | | | | 1.2 | + | | |
| <i>Aira praecox</i> | | | + | 2.3 | 1.2 | | |
| <i>Galium saxatile</i> | | | | +.2 | +.2 | | |
| <i>Pteridium aquilinum</i> | | | | | | + | + |
| <i>Cladonia pityrea</i> | | | | | +.2 | + | 1.2 |
| <i>Parmelia physodes</i> | | | | | | + | + |
| <i>Cladonia squarrosa</i> | | | | | | + | + |

Differentials of community

| | | | | | | | |
|--------------------------------|-----|-----|-----|-----|-----|-----|-----|
| <i>Polytrichum piliferum</i> | 2.2 | + | 2.2 | +.2 | 1.2 | + | 1.2 |
| <i>Deschampsia flexuosa</i> | 1.2 | 2.2 | 2.2 | 2.2 | 3.3 | 1.3 | 2.2 |
| <i>Cladonia floerkeana</i> | + | | +.2 | + | | + | +.2 |
| <i>C. chlorophaea</i> | + | 1.2 | +.2 | + | | | + |
| <i>C. crispata</i> | + | | | 1.2 | | + | |
| <i>C. coccifera</i> | 1.2 | | | + | | 1.2 | |
| <i>Leceidia quadricolor</i> | 2.3 | + | | 1.2 | | +.3 | |
| <i>Polytrichum juniperinum</i> | + | + | 2.3 | | + | | + |
| <i>Cephaloziella starkei</i> | +.2 | +.2 | +.2 | | | + | +.2 |
| <i>Pohlia nutans</i> | + | | | | + | + | +.2 |

Differentials of complex

| | | | | | | | |
|-------------------------|-----|-----|-----|-----|-----|-----|-----|
| <i>Ulex gallii</i> | 1.3 | 3.3 | 2.3 | 2.2 | 2.2 | 1.3 | 2.3 |
| <i>Erica cinerea</i> | 4.3 | 5.4 | 4.3 | 2.3 | 1.1 | 2.2 | 2.2 |
| <i>Calluna vulgaris</i> | 2.3 | 1.1 | 1.2 | | 1.2 | 5.5 | 5.5 |
| <i>Agrostis tenuis</i> | + | | + | 2.1 | + | (+) | +.2 |

Companion species

| | | | | | | | |
|-------------------------------|-----|---|---|--|-----|--|-----|
| <i>Polygala serpyllifolia</i> | + | | | | + | | |
| <i>Vaccinum myrtillus</i> | 2.3 | + | | | | | 1.1 |
| <i>Cladonia impexa</i> | + | | + | | | | |
| <i>Cephalozia bicuspidata</i> | + | | | | 1.3 | | |

Additional species: ⁵⁵₄₀, *Anthoxanthum odoratum* +.2,
⁵⁷₄₀, *Ceratodon purpureus* +; ⁵⁴₄₀, *Cladonia fimbriata* +;
⁵²₄₀, *Dicrenella varia* +; ⁵⁴₄₀, *Cladonia furcata* 1.2,
⁵¹₄₀, *Lophozia bicrenata* +.2; ⁵¹₄₀, *Festuca rubra* 1.2;
⁵⁶₄₀, *Diplophyllum albicans* +.2.

I.5.a. ULEX MINOR COMMUNITY

| | | | | | | | | | | | | | | | | | |
|-----------------------|----|----|----|-----|-----|-----|----|-----|-----|----|-----|-----|-----|-----|----|-----|----|
| Releve number. | 29 | 30 | 31 | 26 | 27 | 28 | 40 | 41 | 42 | 52 | 51 | 49 | 50 | 55 | 48 | 57 | 47 |
| Exposition. | N | N | N | N | N | N | NW | NW | NW | NW | NW | NW | NW | N | N | N | N |
| Slope. | 2 | 3 | - | 3 | 3 | 3 | - | - | - | 3 | 5 | - | - | - | - | 10 | - |
| Phanerogam % cover. | 90 | 85 | 80 | 100 | 100 | 100 | 98 | 100 | 100 | 95 | 100 | 100 | 100 | 100 | 85 | 100 | 85 |
| Cryptogam % cover. | 30 | 80 | 95 | 3 | - | 3 | 3 | - | - | 5 | - | - | - | 20 | 20 | 50 | 20 |
| Releve area (sq. m.). | 10 | 10 | 10 | 10 | 10 | 10 | 10 | 10 | 10 | 10 | 10 | 10 | 10 | 10 | 10 | 10 | 10 |
| Number of species. | 16 | 14 | 15 | 18 | 13 | 12 | 14 | 12 | 13 | 10 | 8 | 9 | 10 | 10 | 10 | 11 | 9 |

Differentials of variants

| | | | | | | | | | | | | | | | | | |
|--------------------------|-----|-----|-----|-----|-----|---|---|-----|---|---|-----|-----|-----|---|--|--|-----|
| Carex panicea | + | + | 1.2 | 1.2 | 1.2 | + | + | (+) | + | + | 1.2 | 1.2 | + | | | | |
| Scirpus caespitosus | + | 2.2 | + | | | | | | | | | | | | | | |
| Drosera intermedia | + | + | + | | | | | | | | | | | | | | |
| Polytrichum commune | + | + | 2.3 | | | | | | | | | | | | | | |
| Zygonium ericetorum | 2.3 | 3.3 | 3.3 | | | | | | | | | + | | | | | 2.2 |
| Campylopus brevipilus | 1.3 | 3.3 | 3.3 | | | | | | | | | | | | | | |
| Pedicularis sylvatica | + | + | + | | | | | | | | | | | | | | |
| Rhynchospora alba | + | + | | | | | | | | | | | | | | | |
| Eriophorum angustifolium | + | + | | | | | | | | | | | 1.2 | | | | |
| Hypericum pulchrum | | | 1.2 | + | + | | | | | | | | | | | | |
| Linum catharticum | | | + | 1.1 | + | | | | | | | | | | | | |
| Sieglingia decumbens | | | 1.2 | 1.1 | + | | | | | | | | | | | | |
| Schoenus nigricans | | | 4.4 | 3.3 | 1.2 | | | | | | | | | | | | |
| Myrica gale | | | + | + | 2.2 | | | | | | | | | | | | |
| Succisa pratensis | | | + | + | + | | | | | | | | | | | | |
| Ulex europaeus | | | + | + | 1.2 | | | | | | | | | r | | | 2.2 |

Differentials of community

| | | | | | | | | | | | | | | | | | |
|------------------|---|---|---|-----|-----|-----|-----|-----|-----|-----|-----|-----|-----|-----|-----|-----|-----|
| Ulex minor | + | + | + | 2.2 | 2.2 | 2.2 | 2.2 | 1.2 | 2.2 | 1.2 | 2.3 | 3.3 | 2.3 | 1.3 | 1.2 | 1.2 | 1.2 |
| Agrostis setacea | | | | 1.2 | 2.2 | 2.2 | 2.2 | + | 1.2 | | 1.2 | 2.2 | 1.2 | | 2.2 | 1.2 | 3.2 |

Differentials of complex

| | | | | | | | | | | | | | | | | |
|-------------------|---|-----|-----|-----|-----|-----|-----|-----|-----|-----|-----|-----|-----|-----|-----|-----|
| Calluna vulgaris | r | 1.2 | 1.2 | + | + | 2.3 | 3.3 | 2.2 | 1.2 | 2.2 | 1.2 | 3.3 | 4.4 | 3.3 | 4.4 | 1.2 |
| Potentilla erecta | | 1.1 | 1.2 | 2.2 | + | 1.2 | + | 1.2 | + | 1.2 | 1.2 | 1.2 | | | | |
| Molinia caerulea | | 3.3 | 1.2 | 2.2 | + | 1.2 | 3.2 | 2.2 | 2.2 | 2.2 | + | 2.2 | 2.2 | 1.2 | 2.2 | +.2 |
| Erica ciliaris | | | | 3.3 | 4.4 | 4.4 | 3.3 | 4.3 | 4.4 | 5.5 | 4.4 | 2.2 | 2.2 | 2.3 | 1.2 | + |
| C. cinerea | | | | r | 1.2 | | | | | 2.2 | 1.2 | | | | 2.2 | 4.4 |
| E. tetralix | | 4.4 | 4.4 | 2.3 | 3.3 | 1.2 | 2.3 | 3.3 | 2.3 | + | + | 2.2 | 4.4 | 2.2 | 1.2 | |

Companion species

| | | | | | | | | | | | | | | | | | |
|-------------------------|--|--|--|--|--|--|--|--|--|---|--|--|--|-----|-----|-----|---|
| Dicranum scoparium | | | | | | | | | | | | | | 1.2 | 3.3 | | |
| Polytrichum juniperinum | | | | | | | | | | + | | | | | + | | |
| Polygala serpyllifolia | | | | | | | | | | | | | | | + | | |
| Sphagnum compactum | | | | | | | | | | | | | | | | | |
| Cladonia floerkeana | | | | | | | | | | | | | | | | | |
| Erica x watsonii | | | | | | | | | | | | | | | 1.3 | 3.3 | + |

Additional species: 29, Narthecium ossifragum +, Mylia anomala +; 41, Salix atrocinerea +; 50, Cladonia uncialis +, Leucobryum glaucum 1.2; 55, Hypnum ericetorum 1.3, Salix repens 1.3; 30, Cladonia furcata +; 57, Cladonia gracilis +, Campylopus flexuosus +; 42, Luzula multiflora +; 26, Anagallis tenella +, Cirsium palustre r, Pinguicula lusitanica +, Serratula tinctoria +, Campylopus stellatum +; 52, Gymnocolea inflata 1.3.

I.5.b. ERICA CILIARIS COMMUNITY

| | | | | | | | | |
|-----------------------|-----------------|-----------------|-----------------|-----------------|-----------------|-----------------|-----------------|-----------------|
| Releve number. | 43 ₉ | 45 ₉ | 44 ₉ | 56 ₉ | 22 ₉ | 23 ₉ | 24 ₉ | 25 ₉ |
| Exposition. | NW | NW | NW | NW | W | W | W | W |
| Slope. | - | - | - | 10 | - | - | - | - |
| Phanerogam % cover. | 100 | 100 | 100 | 100 | 100 | 100 | 100 | 100 |
| Cryptogam % cover. | - | - | - | 60 | 50 | 80 | 80 | 80 |
| Releve area (sq. m.). | 10 | 10 | 10 | 10 | 10 | 10 | 10 | 10 |
| Number of species. | 12 | 11 | 10 | 17 | 10 | 12 | 13 | 9 |

Differentials of variants

| | | | | | | | | |
|--------------------------|-----|-----|-----|-----|-----|-----|-----|-----|
| Myrica gale. | 3.3 | 3.3 | 2.2 | | | | | |
| Succisa pratensis | | + | + | | | | | |
| Salix atrocinerea | + | + | 1.1 | | | | | |
| Lythrum salicaria | + | + | + | | | | | |
| Agrostis canina | + | | +2 | | | | | |
| Galium palustre | + | + | | | | | | |
| Hypochaeris radicata | + | + | | | | | | |
| Carex demissa | | + | + | | | | | |
| Narthecium ossifragum | | | | 1.1 | + | 2.2 | 2.2 | 1.1 |
| Gentiana pneumonanthe | | | | | + | (+) | + | + |
| Sphagnum recurvum | | | | 2.3 | | | 4.4 | 4.4 |
| Cladonia arbuscula | | | | + | 3.3 | | 1.2 | |
| Eriophorum angustifolium | | | | 2.2 | 1.2 | | | |
| Schoenus nigricans | | | | | | 4.3 | 4.3 | 4.3 |

Differentials of community and complex

| | | | | | | | | |
|-------------------|-----|-----|-----|-----|-----|-----|-----|-----|
| Calluna vulgaris | | | | 4.4 | 1.2 | + | 2.2 | 2.2 |
| Potentilla erecta | + | + | 1.2 | + | + | + | + | + |
| Molinia caerulea | 2.2 | 4.2 | 3.2 | 2.2 | 3.3 | 1.2 | 1.2 | 2.2 |
| Erica ciliaris | 3.3 | 3.3 | 3.3 | 1.2 | 4.4 | 3.3 | 3.3 | 3.3 |
| E. cinerea | | (+) | | | | | | |
| E. tetralix | | | | 1.2 | 4.3 | 2.2 | 1.2 | + |

Companion species

| | | | | | | | | |
|--------------------------|---|--|--|---|-----|---|-----|---|
| Rhynchospora alba | | | | + | | | | + |
| Quercus spp. (seedlings) | + | | | r | | | | |
| Betula spp. (") | | | | | (+) | + | + | |
| Mylia anomala | | | | | | | 1.2 | + |

Additional species: ⁵⁶₉, Scirpus caespitosus +, Polygala serpyllifolia +, Cladonia uncialis +, Leucobryum glaucum +, Sphagnum compactum 3.3, Juncus articulatus +; ⁴³₉, Erica x watsonii 3.4, Cirsium dissectum +; ²³₉, Hypnum ericetorum 2.3, Rubus fruticosus S.L +, Sphagnum papillosum 3.3.

I.6.a. HYLOCOMIUM SPLENDENS COMMUNITY

Releve number.

M/R11

Differentials of community

| | |
|-------------------------------|-----|
| <i>Cladonia impexa</i> | IV |
| <i>Hylocomium splendens</i> | V |
| <i>Vaccinium vitis-idaea</i> | III |
| <i>Listera cordata</i> | III |
| <i>Rhytidiadelphus loreus</i> | III |
| <i>Scirpus caespitosus</i> | III |

Differentials of complex

| | |
|-----------------------------|-----|
| <i>Vaccinium myrtilus</i> | IV |
| <i>Hypnum ericetorum</i> | V |
| <i>Pleurozium schreberi</i> | IV |
| <i>Deschampsia flexuosa</i> | IV |
| <i>Calluna vulgaris</i> | V |
| <i>Potentilla erecta</i> | IV |
| <i>Erica cinerea</i> | III |
| <i>Dicranum scoparium</i> | V |
| <i>Agrostis tenuis</i> | I |

Companion species

| | |
|-----------------------------------|-----|
| <i>Cladonia pyxidata</i> | III |
| <i>C. squarrosa</i> | III |
| <i>C. arbuscula</i> | II |
| <i>C. uncialis</i> | III |
| <i>C. gracilis</i> | I |
| <i>C. coccifera</i> | II |
| <i>Peltifera canina</i> | II |
| <i>P. polydactyla</i> | I |
| <i>Ptilidium ciliare</i> | I |
| <i>Lophozia ventricosa</i> | I |
| <i>L. floerkii</i> | I |
| <i>Diplophyllum albicans</i> | II |
| <i>Calypogeia trichomanes</i> | I |
| <i>Thuidium tamariscinum</i> | I |
| <i>Sphagnum nemoreum</i> | I |
| <i>Rhytidiadelphus triquetrus</i> | II |
| <i>R. squarrosus</i> | II |
| <i>Rhacomitrium lanuginosum</i> | I |
| <i>Trientalis europaea</i> | II |
| <i>Succisa pratensis</i> | I |
| <i>Hypericum pulchrum</i> | I |
| <i>Galium saxatile</i> | II |
| <i>Campanula rotundifolia</i> | I |
| <i>Carex pilulifera</i> | II |
| <i>Festuca ovina</i> | II |
| <i>Agrostis canina</i> | I |
| <i>Blechnum spicant</i> | I |
| <i>Pinus sylvestris</i> | I |
| <i>Genista anglica</i> | I |

I.6.b. POHLIA NUTANS COMMUNITY

| | | | | | | | | | | | | | | | | | | | | | | | |
|-----|-----|-----|-----|-----|-----|-----|-----|-----|-----|-----|----|-----|-----|-----|-----|----|----|-----|-----|-----|-----|-----|----|
| 1 | 3 | 6 | 4 | 2 | 6 | 13 | 14 | 20 | 31 | 28 | 24 | 27 | 29 | 30 | 26 | 25 | 32 | 21 | 36 | 38 | 37 | 34 | 35 |
| SW | N | N | S | NE | N | S | S | NE | N | W | SE | SE | W | W | SE | SE | N | E | W | W | W | W | W |
| 100 | 100 | 100 | 100 | 100 | 100 | 100 | 100 | 100 | 100 | 100 | 85 | 100 | 100 | 100 | 100 | 75 | 85 | 100 | 100 | 100 | 100 | 100 | 90 |
| 45 | - | 45 | 50 | 50 | 80 | 20 | 30 | 90 | 60 | 20 | 60 | 90 | 80 | 50 | 10 | 60 | 40 | 50 | 60 | 60 | 60 | 10 | 10 |
| 10 | 10 | 10 | 10 | 10 | 10 | 10 | 10 | 10 | 10 | 10 | 10 | 10 | 10 | 10 | 10 | 10 | 10 | 10 | 10 | 10 | 10 | 10 | 10 |
| 10 | 7 | 8 | 8 | 8 | 15 | 12 | 14 | 13 | 18 | 19 | 13 | 16 | 15 | 15 | 15 | 15 | 11 | 14 | 6 | 13 | 17 | 19 | 15 |

Differentials of variants

| | | | | | | | | | | | | | | | | | | | | | | | | |
|-------------------------|---------------------|-----------------|---------|---------|---------------------|--|--|--|--|--|--|--|--|--|--|--|--|--|--|--|--|--|--|--|
| Erica tetralix | 3.3 + | 2.2 4.4 + | 2.2 2.2 | 2.3 2.2 | 2.2 1.2 3.3 3.2 | | | | | | | | | | | | | | | | | | | |
| Molinia caerulea | 2.2 3.3 2.2 3.3 +.2 | 2.2 2.2 2.2 +.2 | 2.2 1.2 | 2.2 1.2 | 2.2 2.2 1.2 4.2 +.2 | | | | | | | | | | | | | | | | | | | |
| Cladonia chlorophaea | | | | | | | | | | | | | | | | | | | | | | | | |
| Scirpus caespitosus | | | | | | | | | | | | | | | | | | | | | | | | |
| Nardus stricta | | | | | | | | | | | | | | | | | | | | | | | | |
| Agrostis setacea | | | | | | | | | | | | | | | | | | | | | | | | |
| Campylopus flexuosus | | | | | | | | | | | | | | | | | | | | | | | | |
| Cephalozia bicuspidata | | | | | | | | | | | | | | | | | | | | | | | | |
| Calypogeia arguta | | | | | | | | | | | | | | | | | | | | | | | | |
| Cladonia crispata | | | | | | | | | | | | | | | | | | | | | | | | |
| C. floerkeana | | | | | | | | | | | | | | | | | | | | | | | | |
| Carex binervis | | | | | | | | | | | | | | | | | | | | | | | | |
| Galium saxatile | | | | | | | | | | | | | | | | | | | | | | | | |
| Melampyrum pratense | | | | | | | | | | | | | | | | | | | | | | | | |
| Polytrichum juniperinum | | | | | | | | | | | | | | | | | | | | | | | | |
| Anthoxanthum odoratum | | | | | | | | | | | | | | | | | | | | | | | | |

Differentials of community

| | | | | | | | | | | | | | | | | | | | | | | | | |
|---------------|-------|-------|---|-----|---------|---|-------------|---|--|--|--|--|--|--|--|--|--|--|--|--|--|--|--|--|
| Pohlia nutans | 3.3 + | 3.3 + | + | 1.3 | 2.3 2.3 | + | 1.2 1.2 1.2 | + | | | | | | | | | | | | | | | | |
|---------------|-------|-------|---|-----|---------|---|-------------|---|--|--|--|--|--|--|--|--|--|--|--|--|--|--|--|--|

Differentials of complex

| | | | | | | | |
|----------------------|-------------------------------------|---|---------------------|---|-----------------------------|---|-------------------------|
| Vaccinium myrtillus | 2.3 2.3 1.2 2.3 2.2 | + | 5.5 1.1 1.2 | + | 2.2 3.3 2.3 2.2 | + | 2.3 3.3 2.2 2.3 2.3 3.2 |
| Hypnum ericetorum | 3.3 3.3 1.2 2.3 3.3 | | 3.3 3.3 | | 4.3 +.2 | | 3.3 3.3 |
| Pleurozium schreberi | 3.3 1.2 3.3 | | 2.3 | | + | | 3.3 3.3 |
| Deschampsia flexuosa | | | | | | | |
| Calluna vulgaris | 4.4 5.5 5.5 3.3 5.5 5.5 3.3 5.5 5.5 | | 5.5 5.5 5.5 5.5 4.4 | | 2.2 2.2 5.5 5.5 5.5 5.5 5.5 | | 5.5 5.5 5.5 5.5 |
| Potentilla erecta | 2.3 + | | (+) 1.2 + | | 1.1 1.2 1.1 + | | 2.2 2.2 1.2 1.2 |
| Erica cinerea | + r | | 1.2 + | | 1.2 + | | 2.2 2.2 2.3 1.2 |
| Dicranum scoparium | | | | | | | |
| Festuca rubra | | | | | | | |
| Agrostis tenuis | 2.2 | | 1.2 1.2 | | 2.2 1.2 1.2 1.2 + | | 1.2 1.2 1.2 1.2 |

Companion species

| | | | | | | | | | | | | | | | | | | | | | | | | |
|-----------------------|--|--|--|--|--|--|--|--|--|--|--|--|--|--|--|--|--|--|--|--|--|--|--|--|
| Sieglingia decumbens | | | | | | | | | | | | | | | | | | | | | | | | |
| Juncus squarrosus | | | | | | | | | | | | | | | | | | | | | | | | |
| Cladonia squarrosa | | | | | | | | | | | | | | | | | | | | | | | | |
| C. arbuscula | | | | | | | | | | | | | | | | | | | | | | | | |
| C. coccifera | | | | | | | | | | | | | | | | | | | | | | | | |
| Zygonium ericetorum | | | | | | | | | | | | | | | | | | | | | | | | |
| Carex panicea | | | | | | | | | | | | | | | | | | | | | | | | |
| Parmelia physodes | | | | | | | | | | | | | | | | | | | | | | | | |
| Pedicularis sylvatica | | | | | | | | | | | | | | | | | | | | | | | | |
| Cladonia degenerens | | | | | | | | | | | | | | | | | | | | | | | | |
| C. fimbriata | | | | | | | | | | | | | | | | | | | | | | | | |
| Ulex gallii | | | | | | | | | | | | | | | | | | | | | | | | |

Additional species: ⁴6, Calypogeia trichomanes +; 245, Luzula multiflora +; 325, Cladonia impexa 3.3; 215, Polytrichum commune 1.2; 375, Cladonia gracilis +; 345, Agrostis stolonifera +, Carex pilulifera +.

I.6.c. AGROSTIS SETACEA COMMUNITY

| | | | | | | |
|-----------------------|-----|----|-----|-----|-----|-----|
| Releve number. | 42 | 28 | 29 | 30 | 31 | 32 |
| | 3 | 3 | 3 | 3 | 3 | 3 |
| Exposition. | NE | S | SE | SE | SE | SE |
| Slope. | - | 30 | 10 | - | 10 | 5 |
| Phanerogam % cover. | 100 | 90 | 100 | 100 | 100 | 100 |
| Cryptogam % cover. | 80 | 90 | 60 | 60 | 10 | 60 |
| Releve area (sq. m.). | 10 | 10 | 10 | 10 | 10 | 10 |
| Number of species. | 14 | 13 | 11 | 10 | 13 | 12 |

Differentials of community

| | | | | | | |
|---------------------|-----|-----|-----|-----|-----|-----|
| Agrostis setacea | 1.2 | | | 1.2 | 2.2 | 1.2 |
| Carex binervis | + | | + | + | 1.2 | |
| Luzula multiflora | + | + | 1.2 | | + | + |
| Cladonia arbuscula. | 3.3 | 4.4 | | | 1.3 | |

Differentials of complex

| | | | | | | |
|----------------------|-----|-----|-----|-----|-----|-----|
| Vaccinium myrtillus | 1.2 | 1.2 | 3.3 | 1.2 | 3.3 | 1.2 |
| Hypnum ericetorum. | 4.4 | 1.3 | 3.3 | 4.4 | | 3.3 |
| Pleurozium schreberi | 1.2 | | 3.3 | + | | |
| Deschampsia flexuosa | 1.2 | + | | | | |
| Calluna vulgaris | 4.4 | 4.4 | 4.4 | 5.5 | 4.4 | 4.4 |
| Potentilla erecta | + | | 1.2 | 2.2 | 1.2 | 1.2 |
| Erica cinerea | 3.3 | 3.3 | 3.3 | 3.3 | 3.3 | 3.3 |
| Dicranum scoparium | 1.3 | 3.3 | | | | |
| Festuca rubra | | | 1.2 | | + | 2.2 |
| Agrostis tenuis | | | + | + | + | 1.2 |

Companion species

| | | | | | | |
|-----------------------|--|-----|-----|---|---|-----|
| Anthoxanthum odoratum | | | | | + | 1.2 |
| Galium saxatile. | | + | | + | | |
| Parmelia physodes | | 2.3 | 1.3 | | | |

Additional species: ⁴²₃, Molinia caerulea +,
Erica tetralix 2.2; ²⁸₃, Cladonia impexa 3.3,
C. squarrosa +, Carex pilulifera +; ³¹₃, Scirpus
caespitosus +, Sieglingia decumbens 1.2;
³²₃, Cladonia floerkeana 1.2, Polytrichum commune 1.2

I.6.d. SIEGLINGIA DECUMBENS COMMUNITY

| | | | | | | | |
|-----------------------|-----|-----|-----|-----|-----|-----|----|
| Releve number. | 40 | 41 | 39 | 40 | 41 | 42 | 43 |
| | 3 | 3 | 71 | 71 | 71 | 71 | 71 |
| Exposition. | NW | NW | SW | SW | NW | S | NW |
| Slope. | - | 5 | 35 | 30 | 5 | 25 | 25 |
| Phanerogam % area. | 100 | 100 | 100 | 100 | 100 | 100 | 90 |
| Cryptogam % area. | 60 | 60 | 80 | 60 | 80 | 80 | 60 |
| Releve area (sq. m.). | 10 | 10 | 10 | 10 | 10 | 10 | 10 |
| Number of species. | 15 | 16 | 15 | 19 | 9 | 14 | 11 |

Differentials of variants

| | | | | | | | |
|------------------------|------|------|-----|--|--|--|------|
| Rhytidiadelphus loreus | + | + | | | | | |
| Molinia caerulea | 1.2 | 3.2 | 1.2 | | | | + .2 |
| Scirpus caespitosus | + .2 | + .2 | 1.2 | | | | |

Differentials of community

| | | | | | | | |
|----------------------|-----|---|-----|-----|-----|-----|-----|
| Sieglingia decumbens | 1.2 | | + | 1.2 | | 1.2 | + |
| Polytrichum commune | | | 1.3 | + | 1.2 | | 3.3 |
| Juncus squarrosus | | + | | 1.2 | | + | 1.2 |

Differentials of complex

| | | | | | | | |
|----------------------|-----|-----|-----|-----|-----|------|-----|
| Vaccinium myrtillus | 3.3 | 1.2 | 2.3 | 2.3 | 3.3 | 2.3 | |
| Hypnum ericetorum | 1.3 | 2.2 | 3.3 | 3.3 | 3.3 | 4.4 | 2.3 |
| Pleurozium schreberi | 3.3 | 2.3 | 3.3 | 1.2 | 3.3 | | |
| Deschampsia flexuosa | + | | 1.2 | 1.2 | 1.2 | + .2 | |
| Calluna vulgaris | 5.5 | 4.4 | 5.5 | 5.5 | 5.5 | 5.5 | 5.5 |
| Potentilla erecta | + | + | | 1.2 | 1.2 | 1.2 | 1.2 |
| Erica cinerea | | | 2.2 | 1.2 | | 1.2 | 1.2 |
| Dicranum scoparium | 1.2 | + | 1.2 | 1.2 | 2.3 | 1.2 | |
| Festuca rubra | 2.2 | + | | + | | | |
| Agrostis tenuis | + | | + | + | 1.2 | + | 1.2 |

Companion species

| | | | | | | | |
|-------------------------|---|--|---|-----|--|---|--|
| Anthoxanthum odoratum | | | + | + | | | |
| Polytrichum juniperinum | + | | | + | | | |
| Ulex gallii | | | + | 1.1 | | | |
| Lophocolea bidentata | | | | 1.2 | | + | |

Additional species: ⁴¹₃, Cladonia impexa +, Carex binervis +, Agrostis setacea +.2, Cladonia arbuscula 3.3, Ulex europaeus +; ³⁹₇₁, Hylocomium splendens 1.3; ⁴⁰₇₁, Rhytidiadelphus squarrosus 1.2, Blechnum spicant +; ⁴²₇₁, Cladonia floerkeana +, C. squarrosa +, Diplophyllum albicans+; ⁴³₇₁, Carex echinata +, Eriophorum angustifolium 1.2.

I.7.a. VACCINIUM VITIS-IDAEA COMMUNITY

Releve number.

MY
12

Differentials of community

| | |
|-----------------------|----|
| Vaccinium vitis-idaea | V |
| Genista anglica | IV |
| Lathyrus montana | V |
| Lotus corniculatus | IV |
| Pytola media | IV |
| Viola riviniana | IV |

Differentials of complex

| | |
|-------------------------|----|
| Arctostaphylos uva-ursi | V |
| Calluna vulgaris | V |
| Erica cinerea | V |
| Deschampsia flexuosa | V |
| Potentilla erecta | IV |
| Dicranum scoparium | IV |
| Hylocomium splendens | IV |
| Hypnum ericetorum | IV |
| Pleurozium schreberi | IV |

Companion species

| | |
|----------------------------|-----|
| Peltigera canina | II |
| Cladonia gracilis | II |
| C. impexa | III |
| C. coccifera | II |
| Rhytidiadelphus triquetrus | II |
| R. loreus | III |
| Pseudoscleropodium purum | II |
| Trientalis europaea | II |
| Succisa pratensis | II |
| Galium saxatile | III |
| Campanula rotundifolia | II |
| Anemone nemorosa | II |
| Luzula multiflora | II |
| L. campestris | II |
| Festuca ovina | III |
| Anthoxanthum odoratum | II |
| Agrostis tenuis | III |
| Vaccinium myrtillus | III |
| Empetrum hermaphroditum | II |

I.7.b. ARCTOUS ALPINA COMMUNITY

Releve number. MV 14 MV 17(8-15)

Differentials of variants

| | | |
|--------------------|-----|----|
| Pleurozia purpurea | IV | |
| Herberta spp. | III | |
| Cladonia impexa | IV | |
| Juniperus nana | V | II |

Differentials of community

| | | |
|--------------------------|-----|----|
| Arctous alpina | IV | IV |
| Scirpus caespitosus | V | IV |
| Rhacomitrium lanuginosum | V | V |
| Diplophyllum albicans | IV | IV |
| Cladonia uncialis | V | IV |
| Sphaerophorous globosus | IV | IV |
| Lycopodium selago | III | IV |
| Frullaria tamariscini | III | IV |
| Cornicularia aculeata | II | IV |
| Cladonia arbuscula | III | IV |

Differentials of complex

| | | |
|-------------------------|-----|----|
| Arctostaphylos uva-ursi | V | IV |
| Calluna vulgaris | V | V |
| Erica cinerea | IV | IV |
| Deschampsia flexuosa | V | II |
| Potentilla erecta | IV | IV |
| Dicranum scoparium | II | IV |
| Hylocomium splendens | III | II |
| Hypnum ericetorum | V | V |
| Pleurozium schreberi | III | II |

Companion species

| | | |
|--------------------------|-----|-----|
| Cladonia coccifera | II | III |
| Vaccinium myrtillus | III | II |
| Empetrum hermaphroditum | III | II |
| Molinia caerulea | II | II |
| Nardus stricta | II | II |
| Dactylorhiza ericetorum | III | II |
| Solidago virgaurea | II | II |
| Cladonia pyxidata | II | II |
| C. rangiferina | III | II |
| C. gracilis | | IV |
| C. impexa | | II |
| Rhytidiadelphus loreus | II | |
| Succisa pratensis | | II |
| Festuca ovina | | III |
| Empetrum nigrum | II | |
| Carex pilulifera | II | |
| Euphrasia brevipila | II | |
| Campylopus flexuosus | II | |
| Sphagnum nemoreum | II | |
| Bazzania tricrenata | II | |
| Herberta hutchinsae | II | |
| Jamsoniella carringtonii | II | |
| Scapania gracilis | II | |

| | |
|---------------------|-----|
| Agrostis canina | II |
| Carex binervis | II |
| Anntenaria dioica | II |
| Polytrichum alpinum | II |
| Sphagnum tenellum | II |
| Scapania nimbose | II |
| Cetraria islandica | III |
| Ochrolechia frigida | II |
| Platysma glaucum | II |

I.8.a. ULEX EUROPAEUS COMMUNITY

| | 43 | 44 | 45 | 14 | 6 | 2 | 1 | 5 | 7 | 8 |
|-----------------------|-----|-----|-----|-----|-----|-----|-----|-----|-----|-----|
| Releve number. | 11 | 11 | 11 | 11 | 11 | 11 | 11 | 11 | 11 | 11 |
| Exposition. | W | W | W | E | E | E | E | E | E | E |
| Slope. | 3 | 3 | 3 | - | - | - | - | - | - | - |
| Phanerogam % cover. | 100 | 100 | 100 | 100 | 100 | 100 | 100 | 100 | 100 | 100 |
| Cryptogam % cover. | - | - | 2 | - | - | - | - | - | - | - |
| Releve area (sq. m.). | 10 | 10 | 10 | 10 | 10 | 10 | 10 | 10 | 10 | 10 |
| Number of species. | 9 | 12 | 13 | 8 | 10 | 6 | 8 | 10 | 10 | 7 |

Differentials of variants

| | | | | | | | | | | |
|-------------------------------|---|-----|-----|---|---|--|---|-----|---|-----|
| <i>Erica tetralix</i> | + | + | 1.2 | + | | | | | | |
| <i>Ulex gallii</i> | + | 3.3 | | | | | | | | |
| <i>Carex pilulifera</i> | | 1.2 | 1.2 | | | | | | | |
| <i>Polygala serpyllifolia</i> | | + | + | | | | | | | |
| <i>Serratula tinctoria</i> | | | | | | | + | + | + | 1.2 |
| <i>Sieglingia decumbens</i> | | | | | + | | | + | + | |
| <i>Hieracium tridentata</i> | | | | | | | | (+) | + | |

Differentials of community and complex

| | | | | | | | | | | |
|--------------------------|-----|-----|-----|-----|-----|-----|-----|-----|-----|-----|
| <i>Erica cinerea</i> | 2.2 | 2.2 | 3.3 | 4.4 | 5.5 | 3.3 | 3.3 | 3.3 | 5.5 | 4.4 |
| <i>Ulex minor</i> | 2.3 | 2.2 | 2.3 | 1.2 | 1.2 | 1.2 | | 1.2 | | |
| <i>Molinia caerulea</i> | + | 1.2 | + | 1.2 | 1.2 | 2.2 | 2.2 | 1.2 | 1.2 | 1.2 |
| <i>Ulex europaeus</i> | 2.3 | + | r | 3.3 | 3.3 | 3.3 | 3.3 | 2.2 | 2.2 | 3.3 |
| <i>Potentilla erecta</i> | + | 1.2 | + | 1.2 | + | 1.2 | + | + | + | 1.2 |
| <i>Agrostis setacea</i> | 2.2 | 1.2 | 3.2 | 3.3 | 2.2 | 3.3 | 3.3 | 2.2 | 2.2 | 2.2 |
| <i>Calluna vulgaris</i> | 5.5 | 4.4 | 3.3 | 1.2 | 1.2 | | + | 4.4 | 1.2 | 3.3 |

Companion species

| | | | | | | | | | | |
|-----------------------------|--|--|--|--|--|---|--|--|--|---|
| <i>Hypochaeris radicata</i> | | | | | | + | | | | + |
|-----------------------------|--|--|--|--|--|---|--|--|--|---|

Additional species: ⁴⁴₁₁, *Cladonia impexa* +; ⁴⁵₁₁, *Dicranum scoparium* +, *Polygala vulgaris* +, *Solidago virgaurea* +; ⁶₁₁, *Agrostis tenuis* +; ¹₁₁, *Viola canina* +.

I.9.a. TEUCRIUM SCORODONIA COMMUNITY

| | 37 | 30 | 34 | 29 | 27 | 28 | 33 | 32 | 36 | 35 |
|-----------------------|----|----|----|-----|----|----|-----|----|----|----|
| Releve number. | 47 | 47 | 47 | 47 | 47 | 47 | 47 | 47 | 47 | 47 |
| Exposition. | S | NW | W | N | N | N | W | W | W | W |
| Slope. | 15 | 30 | 35 | 45 | 25 | 30 | 25 | 30 | 20 | 25 |
| Phanerogam % cover. | 95 | 95 | 95 | 100 | 95 | 95 | 100 | 70 | 90 | 90 |
| Cryptogam % cover. | 40 | 90 | 90 | 85 | 90 | 90 | 85 | 40 | 80 | 40 |
| Releve area (sq. m.). | 10 | 10 | 10 | 10 | 10 | 10 | 10 | 10 | 10 | 10 |
| Number of species. | 13 | 12 | 14 | 18 | 20 | 27 | 23 | 18 | 17 | 19 |

Differentials of variants

| | | | | | | | | | | |
|-------------------------------|---|--|--|---|--|-----|-----|-----|-----|---------|
| Agrostis stolonifera | | | | | | 2.2 | 1.2 | | | |
| Pseudoscleropodium purum | | | | | | + | + | | | |
| Oxalis acetosella | | | | | | + | + | | | |
| Quercus spp. (seedlings) | r | | | | | + | + | | | |
| Sorbus aucuparia (seedlings) | | | | | | r | r | | | |
| Fagus sylvatica (seedlings) | | | | r | | + | r | | | |
| Vaccinium myrtillus | | | | | | | | 1.2 | 1.2 | 2.2 |
| Festuca ovina | | | | | | + | | 1.2 | 2.2 | 1.2 1.2 |
| Luzula campestris | | | | | | | | + | + | |
| Cladonia furcata | | | | | | | | + | + | |
| C. pityrea | | | | | | | | + | + | |
| C. arbuscula | | | | | | | | + | + | |
| C. chlorophaea | | | | | | | | 2.2 | 1.2 | + |
| Geranium sanguineum | | | | | | | | | | 3.3 2.2 |
| Eurhynchium striatum | | | | | | | | | | 2.2 + |
| Scabiosa columbaria | | | | | | | | | | 1.1 1.2 |
| Pilosella peleteranum | | | | | | | | | | + + |
| Crataegus monogyna (seedling) | | | | | | | | | | r r |
| Helianthemum nummularium | | | | | | | | | | 1.2 2.2 |

Differentials of community and complex

| | | | | | | | | | | |
|------------------------|-----|-----|-----|-----|-----|-----|-----|-----|-----|---------|
| Erica cinerea | 5.5 | 4.4 | 4.4 | 4.4 | 4.4 | 3.3 | 5.5 | 3.3 | 2.2 | |
| Agrostis tenuis | 1.2 | | 1.2 | 1.2 | 1.2 | + | + | 1.2 | | |
| Teucrium scorodonia | 1.1 | 2.2 | 2.2 | 1.2 | 2.2 | 3.3 | 1.2 | 1.2 | 1.2 | + |
| Campanula rotundifolia | | | + | | | | + | + | | 1.2 + |
| Solidago virgaurea | + | + | | + | | + | | + | | |
| Hypericum pulchrum | | | + | 1.1 | | | | | | + |
| Viola hirta | | | + | 1.2 | 1.2 | | | 1.2 | | + + |
| Rubus fruticosus S.L. | | | | r | | | | + | | |
| Calluna vulgaris | | 2.2 | | 2.2 | 3.3 | | | | 2.2 | 2.2 4.4 |
| Deschampsia flexuosa | | 2.2 | 2.2 | 2.2 | 2.2 | 1.2 | 2.2 | | | |
| Dicranum scoparium | 1.2 | 1.2 | 2.2 | 1.2 | | | 2.2 | 2.2 | 1.2 | 3.3 |
| Pleurozium schreberi | | 4.4 | 4.4 | 3.3 | 4.4 | 4.4 | 3.3 | | | |
| Potentilla erecta | | | | | 2.2 | 3.3 | + | | | |
| Galium saxatile | | | | + | 2.2 | 2.2 | + | | | |
| Hypnum ericetorum | 3.3 | 1.2 | + | | | | + | 1.2 | | + |

Companion species

| | | | | | | |
|-----------------------|-----|-----|---|---|---|-----|
| Polytrichum piliferum | | | | + | | 1.2 |
| Aira praecox | | | | | + | 1.2 |
| Cladonia impexa | 1.2 | + | + | | | |
| Ulex europaeus | r | | | | | 1.2 |
| Viola riviniana | + | | + | | + | |
| Hylocomium splendens | | 2.2 | + | | | |

Additional species: ³⁷/₄₇, Betula sp. r, Cladonia pyxidata +,
Pteridium aquilinum 2.1; ³⁴/₄₇, Cladonia fimbriata +, Fraxinus
excelsior +; ²⁹/₄₇, Rhytidiadelphus loreus +; ²⁷/₄₇, Acer
pseudoplatanus r, Pinus sylvestris r; ²⁸/₄₇, Polytrichum
gracile +, Lophozia ventricosa +; ³³/₄₇, Ptilidium ciliare +,
Lotus corniculatus +; ³²/₄₇, Cornicularia aculeata 2.2,
Cladonia fimbriata +; ³⁶/₄₇, Rosa pimpinellifolia 2.1, Origanum
vulgare 1.2, Leucanthemum vulgare +; ³⁵/₄₇, Thymus drucei +,
Arrhenatherum elatius +.

I.10.a. SCIRPUS CAESPITOSUS COMMUNITY

| Releve number. | 1
105 | 2
105 | 1
108 | 2
108 | 3
108 | 3
105 | 4
105 | 5
105 | 4
108 | 5
108 |
|-----------------------|----------|----------|----------|----------|----------|----------|----------|----------|----------|----------|
| Exposition. | SE | SE | NW | NW | NW | NW | S | S | SE | E |
| Slope. | 3 | 3 | 3 | 10 | 15 | 5 | 5 | 5 | 15 | 10 |
| Phanerogam % area. | 85 | 90 | 90 | 95 | 100 | 30 | 95 | 95 | 100 | 100 |
| Cryptogam % area. | 60 | 45 | 80 | 90 | 60 | 95 | 100 | 100 | 95 | 90 |
| Releve area (sq. m.). | 10 | 5 | 10 | 10 | 10 | 5 | 10 | 10 | 10 | 10 |
| Number of species. | 20 | 18 | 19 | 13 | 20 | 15 | 13 | 15 | 14 | 17 |

Differentials of variants

| | | | | | | | | | | |
|--------------------------|-----|-----|-----|-----|-----|---|---|-----|-----|--|
| Carex binervis | | | + | 1.2 | + | | + | 1.2 | + | |
| Sphagnum rubellum | | | 5.5 | | 3.3 | + | | 1.3 | 3.3 | |
| Nardus stricta | | | 2.2 | 1.2 | 2.2 | | | | | |
| Juncus squarrosus | | | 2.2 | 1.3 | 3.2 | | | | | |
| Sphagnum tenellum | | | 2.3 | | + | | | | | |
| Blechnum spicant | | | + | + | | | | | | |
| Narthecium ossifragum | 1.1 | + | 2.2 | | 1.1 | | | | | |
| Cladonia papillaria | 1.3 | 1.2 | | | | | | | | |
| C. chlorophaea | 2.2 | 1.2 | | | | | | | | |
| C. floerkeana | + | +2 | | | | | | | | |
| Diplophyllum albicans | 2.2 | +2 | | | + | | | | | |
| Eriophorum angustifolium | + | + | 1.2 | | | | | | | |
| Carex panicea | + | + | | + | | | | | | |

Differentials of community and complex

| | | | | | | | | | | |
|--------------------------|-----|-----|-----|-----|-----|-----|-----|-----|-----|-----|
| Calluna vulgaris | 2.3 | 3.3 | 4.4 | 5.5 | 4.4 | 2.3 | 5.5 | 5.5 | 5.5 | 5.5 |
| Cladonia uncialis | 2.2 | +2 | | | | 1.3 | | | + | + |
| C. arbuscula | 1.2 | | | | + | 1.3 | | 1.3 | + | + |
| Rhacomitrium lanuginosum | 1.2 | | | | | 5.5 | | | + | + |
| Scirpus caespitosus | 3.4 | 3.3 | 2.2 | 1.2 | + | +2 | +2 | | 1.2 | |
| Dicranum scoparium | 1.2 | + | 1.3 | | | | 2.2 | 1.3 | 1.3 | + |
| Hylocomium splendens | | | 1.3 | | 1.3 | | 3.3 | 3.3 | 2.3 | 3.3 |
| Rhytidiadelphus loreus | | | + | | 1.3 | | | + | | 2.3 |
| Potentilla erecta | 1.2 | 1.1 | 2.2 | 2.2 | + | + | 2.2 | 1.1 | 2.1 | 1.1 |
| Pleurozium schreberi | | | + | | 1.3 | | 3.3 | 4.4 | 1.3 | 1.3 |
| Hypnum ericetorum | 2.2 | 2.3 | 1.3 | | | | 3.3 | 2.3 | 4.4 | |
| Erica cinerea | 1.2 | + | | 1.1 | + | 1.1 | | | 2.2 | 1.1 |
| Molinia caerulea | 3.4 | 1.1 | 2.2 | 2.2 | 2.2 | + | 1.2 | + | 1.2 | 2.2 |
| Erica tetralix | 3.3 | 3.2 | | + | | | 1.1 | + | | + |

Companion species

| | | | | | | | | | | |
|--------------------|----|--|-----|---|---|-----|---|---|--|---|
| Listera cordata | | | | | + | | + | | | |
| Carex nigra | | | 1.2 | | | | + | + | | |
| Mylia anomala | | | | + | | + | | | | |
| Pleurozia purpurea | +2 | | | | | 2.3 | | | | |
| Mylia taylori | + | | | | | + | | | | + |

Additional species: ²/₁₀₅, Leucobryum glaucum 2.2, Pinguicula vulgaris +; ⁵/₁₀₅, Agrostis tenuis +, Rhytidiadelphus squarrosus +; ¹/₁₀₈, Succisa pratensis +; ²/₁₀₈, Thelypteris limbosperma +; ³/₁₀₈, Deschampsia flexuosa +, Cephalozia connivens +; ⁴/₁₀₈, Rhytidiadelphus triquetrus +, Sorbus aucuparia (seedling) +, Nowellia curvifolia +; ⁵/₁₀₈ Plagiothecium denticulatum +,

Cladonia coccifera +, Baeomyces rufus +, Cladonia
crispata 1.2; ³105, Hieracium vulgatum S.L. +, Plagiochila
sp. +, Herberta hutchinsae 2.3, Odontoschisma sphagni +.

I.10.b. AGROSTIS TENUIS COMMUNITY

| Releve number. | 1 | 2 | 3 | 4 | 5 | 6 | 7 | 8 | 9 | 10 |
|-----------------------|-----|-----|-----|-----|-----|-----|-----|-----|-----|-----|
| | 110 | 110 | 110 | 110 | 110 | 110 | 110 | 110 | 110 | 110 |
| Exposition. | S | S | S | W | NW | NW | W | W | E | E |
| Slope. | - | 20 | 20 | 5 | 5 | 15 | 10 | 2 | 35 | 15 |
| Phanerogam % area. | 90 | 95 | 85 | 100 | 95 | 100 | 100 | 100 | 100 | 100 |
| Cryptogam % area. | 30 | 20 | 10 | 80 | 60 | 80 | 70 | 60 | 50 | 80 |
| Releve area (sq. m.). | 10 | 5 | 5 | 10 | 10 | 10 | 10 | 10 | 10 | 10 |
| Number of species. | 17 | 18 | 17 | 12 | 21 | 23 | 24 | 19 | 14 | 11 |

Differentials of variants

| | | | | | | | | | | |
|--------------------------------|------|------|------|--|-----|-----|-----|-----|-----|---|
| <i>Dactylorhiza ericetorum</i> | | + | + | | | | | | | + |
| <i>Carex pulicaris</i> | 1.2 | 1.2 | 1.2 | | + | | | | | |
| <i>C. panicea</i> | + | 1.2 | 1.2 | | | | | | | |
| <i>Leucobryum glaucum</i> | + .3 | + .2 | + .2 | | | | | | | |
| <i>Viola canina</i> | | + | 1.1 | | | | 1.2 | | 1.1 | |
| <i>Pilosella officinarium</i> | + | 1.2 | 1.1 | | | | | | | |
| <i>Hyperium pulchrum</i> | | + | + | | | | | | 1.1 | |
| <i>Blechnum spicant</i> | 1.1 | 1.2 | | | | | | | | |
| <i>Nardus stricta</i> | | | | | + | 1.2 | 2.2 | 2.2 | | |
| <i>Festuca vivipara</i> | | | | | | 2.2 | + | + | | |
| <i>Euphrasia micrantha</i> | | | + | | + | + | 2.1 | + | | |
| <i>Carex flacca</i> | | | | | 1.2 | + | 1.2 | 1.2 | | |
| <i>C. hostiana</i> | | | | | + | 1.2 | | | | |
| <i>Scapania gracilis</i> | | | | | + | 1.3 | | | | |

Differentials of community

| | | | | | | | | | | |
|-------------------------------|-----|-----|-----|-----|-----|-----|-----|-----|-----|-----|
| <i>Agrostis tenuis</i> | 1.2 | 2.2 | 1.2 | | 1.2 | 1.2 | 1.2 | | 1.2 | 1.2 |
| <i>Sieglingia decumbens</i> | 1.2 | 1.2 | 2.2 | | + | | 1.2 | 1.2 | | |
| <i>Polygala serpyllifolia</i> | + | 1.2 | 1.1 | 1.1 | | + | + | 1.2 | | + |

Differentials of complex

| | | | | | | | | | | |
|---------------------------------|------|-----|------|-----|-----|-----|-----|-----|-----|-----|
| <i>Calluna vulgaris</i> | 3.3 | | 2.1 | 4.4 | 5.5 | 5.5 | 3.3 | 3.3 | 4.4 | 4.4 |
| <i>Cladonia uncialis</i> | | | | + | 2.3 | + | | | | |
| <i>C. arbuscula</i> | | | | | + | 1.3 | | 1.2 | | |
| <i>Rhacomitrium lanuginosum</i> | | | | | 3.3 | + | | 1.2 | | |
| <i>Scirpus caespitosus</i> | + .2 | + | + .2 | 2.2 | 2.2 | 1.2 | | | | + |
| <i>Dicranum scoparium</i> | | | | | + | 1.3 | 1.2 | | | |
| <i>Hylocomium splendens</i> | | | | | | 3.3 | 2.3 | 1.2 | 3.3 | 3.3 |
| <i>Rhytidiadelphus loreus</i> | 1.3 | | | | 1.2 | 2.3 | | 1.2 | 3.3 | 3.3 |
| <i>Potentilla erecta</i> | 2.1 | 1.2 | | 1.2 | 1.2 | 1.2 | 1.1 | 1.2 | 2.2 | 1.2 |
| <i>Pleurozium schreberi</i> | | | | | | 2.3 | 3.3 | 3.3 | 1.2 | |
| <i>Hypnum ericetorum</i> | 2.3 | + | | 4.4 | 3.3 | 1.3 | 1.2 | | | |
| <i>Erica cinerea</i> | 3.3 | 3.3 | 4.4 | 3.3 | | + | 3.3 | 3.3 | 3.3 | 3.3 |
| <i>Molinia caerulea</i> | 1.2 | + | | 3.2 | | | | 1.2 | 2.2 | 2.2 |
| <i>Erica tetralix</i> | + | | | | 3.3 | + | | | | |

Companion species

| | | | | | | | | | | |
|---------------------------------|-----|---|---|-----|--|------|---|-----|-----|-----|
| <i>Eriophorum angustifolium</i> | | | | 1.2 | | | + | | | |
| <i>Juncus squarrosus</i> | | | | 1.2 | | + .2 | | | | |
| <i>Carex demissa</i> | | + | | | | | | + | + | |
| <i>Luzula multiflora</i> | | | | 1.2 | | + | | + | | |
| <i>Galium saxatile</i> | | | | | | | + | | 1.1 | |
| <i>Pedicularis sylvatica</i> | | | + | | | | | + | | |
| <i>Breutelia chrysocoma</i> | 2.3 | | | | | | | | | 1.2 |
| <i>Frullania tamariscini</i> | | | | 3.3 | | | | 1.2 | | |

Additional species: ² 110, *Diplophyllum albicans* 1.2;
³ 110, *Campylopus flexuosus* +, *Cladonia impexa* 2.2;
⁵ 110, *Narthecium ossifragum* +, *Sphagnum tenellum* +,
Sphagnum recurvum 1.3; ⁷ 110, *Rhytidiadelphus squarrosus*
+.2, *Polytrichum strictum* +, *Thymus drucei* +, *Plantago*
maritima 1.2, *Taraxacum officinale* S.L. +, *Prunella*
vulgaris 1.1, *Rhinanthus minor* +; ⁹ 110, *Anthoxanthum odoratum*
1.2, *Polytrichum commune* +.

II.1.a. ERICA TETRALIX COMMUNITY

| | | | | | | | | | | | | | | | | | | | | | | | | | | | | | | | | | | | |
|-----------------------|-----|-----|-----|-----|-----|-----|-----|----|-----|----|-----|-----|----|----|-----|-----|----|-----|-----|-----|-----|-----|-----|-----|-----|-----|-----|-----|-----|-----|-----|-----|-----|-----|----|
| Releve number. | 55 | 64 | 48 | 20 | 12 | 5 | 6 | 22 | 22 | 1 | 13 | 59 | 36 | 29 | 30 | 31 | 32 | 32 | 21 | 2 | 11 | 14 | 9 | 7 | 14 | 14 | 5 | 10 | 8 | 14 | 14 | 21 | 2 | 16 | 28 |
| Exposition. | SE | E | E | S | W | S | S | S | S | S | W | W | S | S | N | SE | SE | N | N | S | N | NW | N | N | N | N | SW | SE | N | N | N | N | N | N | SE |
| Slope. | 3 | 3 | - | 10 | - | 5 | 3 | 2 | 2 | 2 | - | 5 | 5 | 3 | 3 | 10 | 10 | 3 | 3 | - | - | 15 | - | 5 | 5 | 5 | 5 | 10 | 10 | 10 | 10 | 10 | 10 | 10 | 10 |
| Phanerogam % cover. | 100 | 100 | 100 | 100 | 100 | 100 | 100 | 95 | 100 | 95 | 100 | 100 | 90 | 80 | 100 | 100 | 60 | 100 | 100 | 100 | 100 | 100 | 100 | 100 | 100 | 100 | 100 | 100 | 100 | 100 | 100 | 100 | 100 | 100 | |
| Cryptogam % cover. | 15 | 10 | 80 | 10 | - | - | - | 20 | 60 | 15 | 70 | 70 | 70 | - | - | - | 10 | 10 | 10 | 10 | 20 | 5 | - | 20 | - | 2 | 20 | 20 | 20 | 20 | 20 | 20 | 20 | 20 | |
| Releve area (sq. m.). | 10 | 10 | 10 | 10 | 10 | 10 | 10 | 10 | 10 | 10 | 10 | 10 | 10 | 10 | 10 | 10 | 10 | 10 | 10 | 10 | 10 | 10 | 10 | 10 | 10 | 10 | 10 | 10 | 10 | 10 | 10 | 10 | 10 | 10 | |
| Number of species. | 9 | 9 | 12 | 12 | 8 | 10 | 7 | 14 | 9 | 4 | 9 | 4 | 12 | 4 | 7 | 8 | 7 | 8 | 7 | 6 | 11 | 12 | 8 | 10 | 7 | 7 | 9 | 6 | 5 | 6 | 5 | 7 | 8 | | |

Differentials of variants

| | | | | | | | | | | | | | | | | | | | | | | | | | | | | | | | | | | | | | | |
|---------------------------|-----|-----|-----|-----|---|---|---|---|---|---|---|---|---|---|---|---|---|---|---|---|---|---|---|---|---|---|---|---|---|---|---|---|---|---|---|---|--|--|
| Leucobryum glaucum | 2.2 | 1.2 | 2.2 | 2.1 | + | r | + | r | + | r | + | + | + | + | + | + | + | + | + | + | + | + | + | + | + | + | + | + | + | + | + | + | + | + | + | + | | |
| Betula species (seedling) | | | | | | | | | | | | | | | | | | | | | | | | | | | | | | | | | | | | | | |
| Quercus species (") | | | | | | | | | | | | | | | | | | | | | | | | | | | | | | | | | | | | | | |
| Deschampsia flexuosa | | | | | | | | | | | | | | | | | | | | | | | | | | | | | | | | | | | | | | |
| Agrostis setacea | | | | | | | | | | | | | | | | | | | | | | | | | | | | | | | | | | | | | | |
| Zygogonium ericetorum | | | | | | | | | | | | | | | | | | | | | | | | | | | | | | | | | | | | | | |
| Campylopus brevipilus | | | | | | | | | | | | | | | | | | | | | | | | | | | | | | | | | | | | | | |
| Pteridium aquilinum | | | | | | | | | | | | | | | | | | | | | | | | | | | | | | | | | | | | | | |
| Ulex europaeus | | | | | | | | | | | | | | | | | | | | | | | | | | | | | | | | | | | | | | |

Differentials of community

| | | | | | | | | | | | | | | | | | | | | | | | | | | | | | | | | |
|----------------|-----|-----|---|-----|-----|-----|-----|---|-----|-----|-----|-----|-----|-----|-----|---|-----|-----|-----|---|-----|-----|-----|-----|-----|-----|-----|---|-----|-----|-----|---|
| Erica tetralix | 3.3 | 1.2 | + | 2.2 | 2.2 | 2.2 | (+) | + | 1.2 | 2.2 | 1.2 | 2.2 | 1.1 | 3.3 | 2.2 | + | 2.2 | 3.3 | 1.2 | + | 1.2 | 2.2 | 1.1 | 2.2 | 1.1 | 3.3 | 2.2 | + | 2.2 | 3.3 | 1.2 | + |
|----------------|-----|-----|---|-----|-----|-----|-----|---|-----|-----|-----|-----|-----|-----|-----|---|-----|-----|-----|---|-----|-----|-----|-----|-----|-----|-----|---|-----|-----|-----|---|

Differentials of complex

| | | | | | | | | | | | | | | | | | | | | | | | | | | | | | | | | | | | | | |
|--------------------|-----|-----|-----|-----|-----|-----|-----|-----|-----|-----|-----|-----|-----|-----|-----|-----|-----|-----|-----|-----|-----|-----|-----|-----|-----|-----|-----|-----|-----|-----|-----|-----|-----|-----|-----|---|--|
| Calluna vulgaris | 3.3 | 5.5 | 5.5 | 5.5 | 2.2 | 4.4 | 3.3 | 3.3 | 5.5 | 2.2 | 5.5 | 2.3 | 2.2 | 5.5 | 5.5 | 4.4 | 3.3 | 5.5 | 4.4 | 3.3 | 5.5 | 4.4 | 4.4 | 2.2 | 4.4 | 2.2 | 4.4 | 5.5 | 5.5 | 4.4 | 3.3 | 4.4 | 3.3 | 4.4 | 3.3 | | |
| Erica cinerea | + | 2.2 | 1.2 | 2.2 | 2.3 | 3.3 | 3.3 | 1.2 | 2.2 | 2.2 | 2.2 | 2.2 | 2.2 | 2.2 | 2.2 | 2.2 | 2.2 | 2.2 | 2.2 | 2.2 | 2.2 | 2.2 | 2.2 | 2.2 | 2.2 | 2.2 | 2.2 | 2.2 | 2.2 | 2.2 | 2.2 | 2.2 | 2.2 | 2.2 | 2.2 | | |
| Molinia caerulea | 3.2 | 2.2 | 2.2 | + | 3.2 | 2.2 | 2.2 | + | 3.2 | 3.3 | 1.2 | 1.2 | 1.2 | 1.2 | 1.2 | 1.2 | 1.2 | 1.2 | 1.2 | 1.2 | 1.2 | 1.2 | 1.2 | 1.2 | 1.2 | 1.2 | 1.2 | 1.2 | 1.2 | 1.2 | 1.2 | 1.2 | 1.2 | 1.2 | 1.2 | | |
| Ulex minor | 2.2 | 1.2 | + | 1.1 | 1.2 | 3.3 | 3.3 | 3.3 | 1.2 | 4.4 | 1.2 | 1.2 | 1.2 | 1.2 | 1.2 | 1.2 | 1.2 | 1.2 | 1.2 | 1.2 | 1.2 | 1.2 | 1.2 | 1.2 | 1.2 | 1.2 | 1.2 | 1.2 | 1.2 | 1.2 | 1.2 | 1.2 | 1.2 | 1.2 | 1.2 | | |
| Hypnum ericetorum | | | | | | | | | | | | | | | | | | | | | | | | | | | | | | | | | | | | | |
| Cladonia impexa | 2.2 | 1.3 | + | 1.2 | + | 1.2 | + | + | 2.3 | 2.3 | 2.3 | 1.2 | 2.3 | 2.3 | + | + | + | + | + | + | + | + | + | + | + | + | + | + | + | + | + | + | + | + | + | + | |
| Parmelia physodes | + | + | + | + | + | + | + | + | 2.3 | + | + | + | + | + | + | + | + | + | + | + | + | + | + | + | + | + | + | + | + | + | + | + | + | + | + | + | |
| Dicranum scoparium | | | | | | | | | | | | | | | | | | | | | | | | | | | | | | | | | | | | | |

Companion species

| | | | | | | | | | | | | | | | | | | | | | | | | | | | | | | | | | | | | | |
|-----------------------------|--|--|--|--|--|--|--|--|--|--|--|--|--|--|--|--|--|--|--|--|--|--|--|--|--|--|--|--|--|--|--|--|--|--|--|--|--|
| Cladonia uncialis | | | | | | | | | | | | | | | | | | | | | | | | | | | | | | | | | | | | | |
| C. arbuscula | | | | | | | | | | | | | | | | | | | | | | | | | | | | | | | | | | | | | |
| Potentilla erecta | | | | | | | | | | | | | | | | | | | | | | | | | | | | | | | | | | | | | |
| Polygala vulgaris | | | | | | | | | | | | | | | | | | | | | | | | | | | | | | | | | | | | | |
| Cuscuta epithymum | | | | | | | | | | | | | | | | | | | | | | | | | | | | | | | | | | | | | |
| Cladonia floerkeana | | | | | | | | | | | | | | | | | | | | | | | | | | | | | | | | | | | | | |
| C. pyxidata | | | | | | | | | | | | | | | | | | | | | | | | | | | | | | | | | | | | | |
| C. squarrosa | | | | | | | | | | | | | | | | | | | | | | | | | | | | | | | | | | | | | |
| C. fimbriata | | | | | | | | | | | | | | | | | | | | | | | | | | | | | | | | | | | | | |
| Pinus sylvestris (seedling) | | | | | | | | | | | | | | | | | | | | | | | | | | | | | | | | | | | | | |
| Cephalozia bicuspidata | | | | | | | | | | | | | | | | | | | | | | | | | | | | | | | | | | | | | |
| Cladonia furcata | | | | | | | | | | | | | | | | | | | | | | | | | | | | | | | | | | | | | |
| Scirpus caespitosus | | | | | | | | | | | | | | | | | | | | | | | | | | | | | | | | | | | | | |
| Polytrichum juniperinum | | | | | | | | | | | | | | | | | | | | | | | | | | | | | | | | | | | | | |
| Cornicularia aculeata | | | | | | | | | | | | | | | | | | | | | | | | | | | | | | | | | | | | | |
| Cladonia gracilis | | | | | | | | | | | | | | | | | | | | | | | | | | | | | | | | | | | | | |
| Campylopus flexuosus | | | | | | | | | | | | | | | | | | | | | | | | | | | | | | | | | | | | | |
| Gymnocolea inflata | | | | | | | | | | | | | | | | | | | | | | | | | | | | | | | | | | | | | |
| Genista anglica | | | | | | | | | | | | | | | | | | | | | | | | | | | | | | | | | | | | | |

Additional species: ¹¹ Carex binervis 1.1; ¹² Polytrichum piluliferum 2.3; ²⁰ Pleurozium schreberi 1.2; ²² Leceidia spp. 2.3; ⁵ Frangula alnus r; ¹⁷ Nardus stricta +.2; ⁵⁵ Sphagnum compactum +; ³⁶ Narthecium ossifragum 1.2; Sphagnum quinquefarium +; ²⁴ Campylopus atrovirens 1.2, Cladonia macilentata 1.2, C. coccifera +; ¹⁷ Sphagnum palustre +; ⁶⁵ Rubus fruticosus S.L. r; ¹³ Lophocolea bidentata +; ³⁸ Rubus suberecti +.

II.1.1.b. DESCHAMPSIA FLEXUOSA COMMUNITY

| | | | | | | | | | | | | | | | | | | | | | | | | |
|-----------------------|-----|-----|-----|-----|----|-----|-----|-----|-----|-----|-----|-----|-----|-----|-----|-----|-----|-----|-----|-----|-----|-----|-----|-----|
| Releve number. | 12 | 11 | 13 | 4 | 13 | 19 | 7 | 22 | 8 | 13 | 17 | 2 | 17 | 3 | 15 | 17 | 13 | 7 | 9 | 13 | 13 | 17 | 10 | 18 |
| Exposition. | 22 | N | N | N | W | W | NE | NE | NW | NW | NE | NE | SW | NW | NW | NW | NW | NE | NE | N | N | N | N | N |
| Slope. | 10 | 10 | 10 | 5 | 5 | 5 | - | - | 2 | - | - | - | 25 | 10 | 2 | - | - | - | - | - | - | - | - | 5 |
| Phanerogam % cover. | 100 | 100 | 100 | 100 | 95 | 100 | 100 | 100 | 100 | 100 | 100 | 100 | 100 | 100 | 100 | 100 | 100 | 100 | 100 | 100 | 100 | 100 | 100 | 100 |
| Cryptogam % cover. | - | - | - | 60 | 20 | 40 | - | - | - | 5 | - | - | 20 | 5 | 5 | - | - | - | - | - | - | - | - | 20 |
| Releve area (sq. m.). | 10 | 10 | 10 | 10 | 10 | 10 | 10 | 10 | 10 | 10 | 10 | 10 | 10 | 10 | 10 | 10 | 10 | 10 | 10 | 10 | 10 | 10 | 10 | 10 |
| Number of species. | 9 | 12 | 8 | 12 | 8 | 12 | 6 | 7 | 7 | 7 | 9 | 8 | 13 | 8 | 11 | 9 | 8 | 11 | 8 | 11 | 9 | 8 | 15 | |

Differentials of variants

| | | | | | | | | | | | | | | | | | | | | | | | | |
|--------------------------|-----|-----|-----|---|---|---|---|-----|---|---|---|-----|-----|---|---|---|---|---|---|---|-----|-----|-----|-----|
| Festuca rubra | 1.2 | 1.2 | 1.2 | + | + | + | + | + | + | + | + | + | + | + | + | + | + | + | + | + | + | + | + | + |
| Quercus spp. (seedlings) | | | | | r | | | | | | | | | | | | | | | | r | | | |
| Pteridium aquilinum | 1.1 | + | | | | | | 2.1 | | | | 2.2 | + | | | | | | | | 2.1 | 3.3 | 1.1 | 1.1 |
| Vaccinium myrtillus | | | | | | | | | | | | 2.3 | 1.2 | + | | | | | | | 2.3 | 2.2 | 3.3 | 1.3 |
| Agrostis setacea | | | | | | | | | | | | 2.2 | 2.2 | | | | | | | | | | | 1.3 |

Differentials of community

| | | | | | | | | | | | | | | | | | | | | | | | |
|------------------------|-----|---|-----|---|---|-----|---|---|---|---|-----|---|-----|-----|-----|-----|-----|-----|-----|-----|-----|-----|-----|
| Deschampsia flexuosa | 2.2 | + | 1.2 | + | + | 1.2 | + | + | + | + | 1.2 | + | 1.2 | 1.2 | 1.2 | 1.2 | 1.2 | 1.2 | 1.2 | 1.2 | 1.2 | 1.2 | 2.2 |
| Betula spp. (seedling) | + | + | + | + | + | + | + | + | + | + | + | + | + | + | + | + | + | + | + | + | + | + | + |

Differentials of complex

| | | | | | | | | | | | | | | | | | | | | | | | | | |
|--------------------|-----|-----|-----|-----|-----|-----|-----|-----|-----|-----|-----|-----|-----|-----|-----|-----|-----|-----|-----|-----|-----|-----|-----|-----|-----|
| Calluna vulgaris | 4.4 | 3.3 | 5.5 | 5.5 | 5.5 | 5.5 | 4.4 | 3.3 | 5.5 | 3.3 | 3.3 | 3.3 | 3.3 | 3.3 | 3.3 | 3.3 | 3.3 | 3.3 | 3.3 | 3.3 | 3.3 | 3.3 | 4.4 | 5.5 | 4.4 |
| Erica cinerea | 1.2 | 3.3 | 2.2 | + | + | + | 2.2 | 2.2 | 2.3 | 3.3 | 4.4 | 4.4 | 2.2 | 2.2 | 2.2 | 2.2 | 2.2 | 2.2 | 2.2 | 2.2 | 2.2 | 2.2 | 3.3 | 1.1 | 3.3 |
| Molinia caerulea | 3.3 | 1.2 | + | | (+) | + | + | 2.2 | | | | | | | | | | | | | | | | | 2.2 |
| Ulex minor | 2.2 | 2.3 | | | 1.2 | 2.3 | | 3.3 | 1.2 | 2.3 | | 2.3 | 1.3 | 2.2 | 1.2 | 3.3 | | | | | | | | 2.3 | |
| Hypnum ericetorum | | | | | | | | 3.3 | | | | | | | | | | | | | | | | + | |
| Cladonia impexa | | | | | | | | | | | | | | | | | | | | | | | | + | |
| Parmelia physodes | | | | | | | | | | | | | | | | | | | | | | | | + | |
| Dicranum scoparium | | | | | | | | | | | | | | | | | | | | | | | | 1.2 | |

Companion species

| | | | | | | | | | | | | | | | | | | | | | | | | | | |
|---|------|----|----------------------|------|----|----|------------------------|---|----|----|---------------------|------|--|--|--|--|--|--|--|--|--|--|--|--|--|--|
| Campylopus brevipilus | | | | | | | | | | | | | | | | | | | | | | | | | | |
| Cladonia floerkeana | | | | | | | | | | | | | | | | | | | | | | | | | | |
| Pinus sylvestris (seedlings) | | | | | | | | | | | | | | | | | | | | | | | | | | |
| Cladonia furcata | | | | | | | | | | | | | | | | | | | | | | | | | | |
| Polytrichum juniperinum | | | | | | | | | | | | | | | | | | | | | | | | | | |
| Rubus discolor | | | | | | | | | | | | | | | | | | | | | | | | | | |
| <u>Additional species:</u> | | | | | | | | | | | | | | | | | | | | | | | | | | |
| Carex binervis +, Nardus stricta +, Juncus effusus +; | 12 | 22 | Cephalozia bicuspida | 1.2; | 11 | 22 | Agrostis tenuis | + | 4 | 14 | Zygonium ericetorum | 1.3, | | | | | | | | | | | | | | |
| Juncus squarrosus 2.2; | 1 | 13 | Pleurozium schreberi | 1.3; | 7 | 13 | Polytrichum pilliferum | + | 9 | 13 | Gymnocolea inflata | + | | | | | | | | | | | | | | |
| Genista anglica +; | 10 | 13 | Luzula campestris | + | 1 | 17 | Lonicera periclymenum | + | 18 | 17 | Ulex europaeus | 2.2, | | | | | | | | | | | | | | |
| Sorbus aucuparia (seedlings) +, Sieglingia decumbens | 1.2, | 17 | Eurhynchium striatum | + | | | | | | | | | | | | | | | | | | | | | | |

Note: Releve 11 was heavily contaminated by agricultural "weeds", i.e. Holcus lanatus +, Lotus uliginosus 1.2, Trifolium dubium +, Cynosurus cristata +, as a result of cultivation of land ceasing c. 5-6 years previously.

II.1.c. ULEX MINOR COMMUNITY

| | | | | | | | | | |
|-----------------------|----------------|----------------|-----------------|-----------------|-----------------|-----------------|-----------------|-----------------|-----------------|
| Releve number. | 6 ₉ | 7 ₉ | 27 ₉ | 39 ₉ | 66 ₉ | 5 ₁₂ | 5 ₁₃ | 53 ₉ | 54 ₉ |
| Exposition. | SW | SW | N | S | N | SW | NW | S | E |
| Slope. | 5 | 5 | 3 | 10 | 10 | 5 | - | 30 | 20 |
| Phanerogam % cover. | 100 | 100 | 100 | 100 | 100 | 100 | 100 | 85 | 100 |
| Cryptogam % cover. | - | - | - | 20 | 5 | 50 | - | 40 | 15 |
| Releve area (sq. m.). | 10 | 10 | 10 | 10 | 10 | 10 | 10 | 10 | 10 |
| Number of species. | 7 | 4 | 6 | 9 | 11 | 9 | 6 | 11 | 9 |

Differentials of variants

| | | | | | | | | | |
|-------------------------|-----|-----|------|------|---|--|--|--|-------|
| <i>Ulex europaeus</i> | | | | | | | | | + 5.5 |
| <i>Agrostis setacea</i> | 1.2 | 1.2 | + .2 | + .2 | + | | | | |

Differentials of community and complex

| | | | | | | | | | |
|---------------------------|-----|-----|-----|-----|-----|-----|-----|-----|-----|
| <i>Calluna vulgaris</i> | 5.5 | 5.5 | 4.4 | 5.5 | 5.5 | 5.5 | 2.2 | 3.3 | 4.4 |
| <i>Erica cinerea</i> | 2.2 | 1.2 | 3.3 | 2.2 | 2.2 | 3.3 | 2.2 | 3.3 | 2.2 |
| <i>Molinia caerulea</i> | | | | 1.1 | + | + | + | | + |
| <i>Ulex minor</i> | 2.2 | 2.2 | 2.2 | 1.2 | 1.2 | 2.3 | 1.1 | 3.3 | 3.3 |
| <i>Hypnum ericetorum</i> | + | | | 2.3 | | | | | |
| <i>Cladonia impexa</i> | + | | | | + | | | | + |
| <i>Parmelia physodes</i> | | | | | | + | | | + |
| <i>Dicranum scoparium</i> | | | + | + | | 3.3 | | 1.3 | + |

Companion species

| | | | | | | | | | |
|----------------------------|---|--|-----|---|---|--|--|-----|---|
| <i>Pteridium aquilinum</i> | | | | | + | | | | + |
| <i>Festuca rubra</i> | | | 1.1 | | | | | | + |
| <i>Cladonia arbuscula</i> | | | | | | | | 1.2 | + |
| <i>Cuscuta epithymum</i> | + | | | | + | | | | |
| <i>Cladonia furcata</i> | | | | + | | | | | + |

Additional species: 39₉, *Cladonia floerkeana* +; 66₉, *Cladonia gracilis* +, *Campylopus flexuosus* 1.3, *Polygala serpyllifolia* +; 5₁₂, *Cladonia uncialis* +, *C. pyxidata* +; 5₁₃, *Juncus squarrosus* +; 53₉, *Betula* spp. (seedlings) r, *Polytrichum juniperinum* 1.1, *Luzula multiflora* +; 54₉, *Leucobryum glaucum* 1.1.

II.2.a. ERICA CINEREA COMMUNITY

| | | | | | | | | | | | | |
|---------------------|-----|-----|-----|-----|-----|-----|-----|-----|-----|----|-----|----|
| Releve number. | 11 | 12 | 13 | 1 | 7 | 8 | 15 | 14 | 6 | 14 | 19 | 20 |
| Exposition. | 17 | 17 | 13 | 12 | 17 | 17 | 13 | 13 | 12 | 22 | 22 | 22 |
| Slope. | W | W | SE | N | E | E | E | E | E | SE | E | E |
| Phanerogam % cover. | - | - | 2 | - | - | - | - | - | 10 | 3 | 3 | 3 |
| Cryptogam % cover. | 100 | 100 | 100 | 100 | 100 | 100 | 100 | 100 | 100 | 60 | 100 | 60 |
| Releve area. | 60 | 20 | - | 60 | 5 | 5 | - | 10 | 60 | 40 | 40 | 50 |
| Number of species. | 10 | 10 | 10 | 10 | 10 | 10 | 10 | 10 | 10 | 10 | 10 | 10 |
| | 14 | 15 | 6 | 12 | 10 | 6 | 4 | 5 | 14 | 5 | 2 | 4 |

Differentials of variants

| | | | | | | | | | | | | |
|--------------------------|-------|-----|-----|--|--|--|--|--|-----|--|--|--|
| Pteridium aquilinum | + 1.1 | 1.1 | + | | | | | | | | | |
| Cladonia floerkeana | + + | + + | 1.3 | | | | | | 2.1 | | | |
| Pohlia nutans | 1.3 | + | | | | | | | | | | |
| Cornicularia aculeata | + + | + + | | | | | | | + | | | |
| Cladonia pyxidata | 2.3 | + | + | | | | | | | | | |
| C. gracilis | + + | + + | | | | | | | | | | |
| C. uncialis | + + | + + | | | | | | | + | | | |
| Quercus spp. (seedlings) | r + | + + | | | | | | | r | | | |
| Pinus sylvestris (") | + + | + + | | | | | | | | | | |

Differentials of community

| | | | | | | | | | | | |
|---------------|-------|-----|---|-----|-----|-----|-----|---|-----|-----|-----|
| Erica cinerea | + 1.1 | 1.1 | + | 5.5 | 5.5 | 4.4 | 3.3 | + | (+) | 2.2 | 1.2 |
|---------------|-------|-----|---|-----|-----|-----|-----|---|-----|-----|-----|

Differentials of complex

| | | | | | | | | | | | |
|----------------------|-----|-----|-----|-----|-----|-----|-----|-----|-----|-----|-----|
| Calluna vulgaris | 5.5 | 5.5 | 5.5 | 4.4 | + | 1.2 | 1.2 | 5.5 | 4.4 | 5.5 | 4.4 |
| Deschampsia flexuosa | | | | | 2.2 | 1.2 | 2.2 | 2.2 | + | | |
| Dicranum scoparium | 1.3 | 2.3 | | 3.3 | + | | 2.2 | 2.3 | 2.3 | | 2.3 |
| Hypnum ericetorum | 3.3 | + | | 2.3 | + | 1.3 | | 3.3 | 1.2 | | |
| Parmelia physodes | + | 1.3 | | + | | | | 2.3 | + | | |

Companion species

| | | | | | | | | | | | | |
|--------------------|---|--|--|--|--|--|--|--|---|-----|--|--|
| Festuca rubra | | | | | | | | | | | | |
| Cladonia arbuscula | + | | | | | | | | + | | | |
| | | | | | | | | | | 3.3 | | |

Additional species: ⁷ 17, Agrostis setacea 1.2, Sorbus aucuparia (seedling) +, Agrostis tenuis 1.2; ¹⁴ ¹³, Polytrichum juniperinum +; ¹⁵ ¹³, Rubus discoloris +, Teucrium scorodonia 1.1; ⁶ ¹², Cladonia furcata +; ¹³ ¹³, Cladonia impeza +; ¹ ¹², Pleurozium schreberi 3.3, Ulex europaeus 3.1; ¹² ¹⁷, Betula species (seedling) +, Polytrichum piliferum +.

II.2.b. DESCHAMPSIA FLEXUOSA COMMUNITY

| | | | | | | | | | | | | | | | | | | | | | | | | | | | | | | | | | | | | | |
|---------------------|-----|-----|-----|-----|-----|-----|-----|-----|-----|-----|-----|-----|-----|-----|-----|-----|-----|----|----|----|-----|-----|-----|-----|-----|-----|-----|-----|-----|-----|-----|-----|-----|-----|-----|-----|-----|
| Releve number. | 17 | 18 | 22 | 8 | 9 | 10 | 22 | 22 | 10 | 22 | 10 | 4 | 24 | 1 | 24 | 1 | 3 | 11 | 24 | 12 | 24 | 5 | 24 | 6 | 24 | 7 | 24 | 8 | 24 | 9 | 24 | 10 | 24 | 17 | 24 | 4 | |
| Exposition. | W | W | W | W | W | W | W | W | W | E | E | E | E | E | W | W | W | W | NW | NW | NW | W | W | W | W | SW | SW | SW | SW | SW | SW | SW | SW | E | E | S | |
| Slope. | - | - | - | - | - | - | - | - | - | - | - | - | - | - | - | - | - | - | - | - | - | - | - | - | - | - | - | - | - | - | - | - | - | - | - | - | - |
| Phanerogam % cover. | 100 | 100 | 100 | 100 | 100 | 100 | 100 | 100 | 100 | 100 | 100 | 100 | 100 | 100 | 100 | 100 | 100 | 80 | 90 | 80 | 100 | 100 | 100 | 100 | 100 | 100 | 100 | 100 | 100 | 100 | 100 | 100 | 100 | 100 | 100 | 100 | 100 |
| Cryptogam % cover. | 5 | - | 30 | 30 | 30 | 30 | 40 | 10 | 10 | 10 | 10 | 10 | 40 | 10 | 10 | 10 | 10 | 50 | 50 | 50 | 10 | 10 | 10 | 10 | - | 50 | 70 | 10 | 70 | 70 | 10 | 75 | 30 | 30 | 30 | 30 | 30 |
| Releve area. | 10 | 10 | 10 | 10 | 10 | 10 | 10 | 10 | 10 | 10 | 10 | 10 | 10 | 10 | 10 | 10 | 10 | 10 | 10 | 10 | 10 | 10 | 10 | 10 | 10 | 10 | 10 | 10 | 10 | 10 | 10 | 10 | 10 | 10 | 10 | 10 | 10 |
| Number of species. | 12 | 6 | 5 | 10 | 5 | 4 | 4 | 5 | 7 | 13 | 11 | 10 | 7 | 15 | 12 | 13 | 11 | 10 | 90 | 7 | 13 | 11 | 10 | 7 | 15 | 12 | 13 | 14 | 13 | 14 | 14 | 4 | 4 | 4 | 4 | 8 | |

Differentials of variants

| | |
|----------------------------|---------------------|
| Betula species (seedlings) | 1.1 + (+) 1.1 (+) + |
| Vaccinium myrtillus | + 4.4 |
| Pteridium aquilinum | 3.3 5.5 |
| Quercus (seedlings) | r r + 1.1 + + 1.2 |
| Festuca rubra | + 1.2 |
| Fagus sylvatica (2m ht.) | + 2.1 |
| Polytrichum commune | 1.2 1.2 |
| Cladonia fimbriata | + + |
| Carex pilulifera | 2.2 + + |
| Juncus conglomeratus | + + + |
| Luzula campestris | + + + |
| Galium saxatile | + 1.2 |
| Sieglingia decumbens | 1.2 4.4 |
| Potentilla erecta | 1.2 1.2 5.2 + |
| Agrostis tenuis | 2.2 3.2 1.2 1.2 |
| Holcus mollis | + + |
| Rubus discoloris | + + + 1.2 |
| Crataegus monogyna | + + + 1.2 1.2 |
| Pseudoscleropodium purum | + + + r + |
| Succisa pratensis | + + + + + |
| Lonicera periclymenum | 2.2 1.2 |
| Hieracium tridentata | + + + 1.2 1.2 |

Differentials of community and complex

| | |
|----------------------|-------------------------------------|
| Calluna vulgaris | 2.2 2.3 5.5 5.5 5.5 5.5 2.2 4.4 4.4 |
| Deschampsia flexuosa | 1.2 2.2 3.2 1.2 1.2 4.2 3.2 2.2 3.2 |
| Hypnum ericetorum | 2.3 1.3 3.3 3.3 2.3 2.3 + |
| Dicranum scoparium | 1.2 2.3 2.3 2.3 3.3 3.3 |
| Parmelia physodes | + + + |

Companion species

| | |
|-------------------------|-----------|
| Ulex minor | 1.2 1.2 |
| Polytrichum juniperinum | + + |
| Pohlia nutans | + 1.2 |
| Lophocolea bidentata | + + |
| Ulex europaeus | 4.4 1.3 + |

Additional species: 17₂₂, Rubus fruticosus S.L. +, Teucrium scorodonia 1.2; 5₂₄, Dicranum majus +; 7₂₄, Lotus corniculatus +, Rosa arvensis +; 8₂₄, Betonica officinalis +, Rhytidadelphus squarrosus +; 9₂₄, Lotus uliginosus +; 10₂₄, Dryopteris dilatata +, Pleurozium schreberi 4.4; 11₂₄, Leucobryum glaucum 1.2, Dicrenella heteromalla +, Zygnema spp. 1.2; 12₂₄, Epilobium angustifolium +; 9₂₂, Cladonia floerkeana 1.3, Pinus sylvestris (seedling) r, Cladonia chloropoea +; 4₁₂, Eladonia arbuscula 3.3, C. pyxidata 1.3, Cornicularia aculeata +. (*add Erica cinerea 2.2, Polytrichum piliferum +.)

Additional species: ²⁸₇₁, *Cladonia chlorophaea* +, *C. floerkeana* +, *C. squarrosa* +; ³⁰₇₁, *Ceratodon purpureus* 1.2; ³¹₇₁, *Aira caryophyllea* 1.2, *Sedum anglicum* +, *Camptothecium sericeum* 1.2, *Trifolium repens* +; ³²₇₁, *Cladonia pyxidata* +, *Pilosella officinarum* +.2, *Cladonia foliacea* 1.3, *Leontodon taraxacoides* +; ³³₇₁, *Ammophila arenaria* +.2; ¹₇₄, *Cladonia furcata* +; ²₇₄, *C. impeza* 2.3, *Tortula ruraliformis* +; ³₇₄, *Peltigera canina* +, *Bryum* cf. *pallescens* +; ⁴₇₄, *Hypnum tectorum* 2.3; ⁵₇₄, *Rumex acetosella* 1.1, *Viola canina* +; ⁶₇₄, *Pteridium aquilinum* +; ⁷₇₄, *Drosera rotundifolia* +, *Juncus articulatus* 2.2, *Salix atrocinerea* 1.1; ⁸₇₄, *Carex pilulifera* +.2, *Dactylorhiza ericetorum* +, *Polygala serpyllifolia* +, *Lathyrus montana* 1.1.

II.3.b. DIPLOPHYLLUM ALBICANS COMMUNITY

| | | | | | | | | | | | | | | |
|---------------------|-----|-----|-----|-----|-----|-----|-----|-----|-----|-----|-----|-----|-----|-----|
| Releve number. | 163 | 164 | 165 | 166 | 167 | 168 | 7 | 8 | 9 | 34 | 35 | 36 | 37 | 38 |
| Exposition. | 1 | 1 | 1 | 1 | 1 | 1 | 1 | 52 | 52 | 71 | 71 | 71 | 71 | 71 |
| Slope. | S | S | SW | SW | W | NW | NW | NW | NW | W | W | W | W | W |
| Phanerogam % cover. | 15 | 15 | - | - | 10 | 10 | - | - | - | 50 | - | - | 2 | - |
| Cryptogam % cover. | 100 | 100 | 100 | 100 | 95 | 95 | 100 | 100 | 100 | 100 | 100 | 100 | 100 | 100 |
| Releve area. | 50 | - | 80 | 90 | 95 | 80 | 40 | 30 | 40 | 50 | 60 | 50 | 50 | 75 |
| Number of species. | 10 | 10 | 10 | 10 | 10 | 10 | 10 | 10 | 10 | 10 | 10 | 10 | 10 | 10 |
| | 7 | 4 | 5 | 10 | 6 | 10 | 7 | 5 | 5 | 16 | 8 | 9 | 11 | 7 |

Differentials of variants

| | | | | | | |
|------------------------|-----|---|-----|-----|-----|-----|
| Agrostis stolonifera | 1.2 | + | 1.2 | 1.2 | + | 1.2 |
| Usnea sub-florida | | | | | | |
| Agrostis tenuis | | | | | 1.2 | + |
| Calypogeia trichomanes | | | | | + | |
| Cladonia squarrosa | | | | | 1.2 | + |
| Galium saxatile | | | | | + | 1.3 |
| Cladonia chlorophaea | | | | | + | + |
| Pohlia nutans | | | | | + | 1.2 |

Differentials of community

| | | | | | | | | |
|-----------------------|-----|-----|-----|-----|-----|-----|-----|-----|
| Diplophyllum albicans | 1.2 | 2.3 | 2.3 | 2.3 | 2.3 | 3.3 | 3.3 | 4.4 |
|-----------------------|-----|-----|-----|-----|-----|-----|-----|-----|

Differentials of complex

| | | | | | | | | | | | | |
|--------------------|-----|-----|-----|-----|-----|-----|-----|-----|-----|-----|-----|-----|
| Calluna vulgaris | 5.5 | 4.4 | 5.5 | 5.5 | 5.5 | 5.5 | 5.5 | 5.5 | 5.5 | 5.5 | 4.4 | 5.5 |
| Erica cinerea | 2.2 | 3.3 | + | 2.2 | 1.2 | | 1.2 | | | | 3.3 | 1.2 |
| Hypnum ericetorum | 3.3 | | 5.5 | 5.5 | 4.4 | 2.3 | | 3.3 | | | 2.3 | |
| Parmelia physodes | 1.2 | | 1.2 | 1.2 | + | 2.2 | 2.2 | 2.2 | + | 1.2 | | 2.3 |
| Cladonia arbuscula | | | 1.2 | | | 1.3 | | | | | | 1.2 |
| Dicranum scoparium | | | | | | 1.3 | | | | | | |

Companion species

| | | | | | | | | | | | | | |
|--------------------|-----|--|-----|-----|--|-----|--|--|--|--|--|--|-----|
| Cladonia fimbriata | 1.2 | | | | | 1.2 | | | | | | | |
| C. macilenta | + | | | | | | | | | | | | 1.2 |
| Ulex europaeus | | | 1.2 | (+) | | | | | | | | | |
| Holcus lanatus | | | | | | | | | | | | | + |

Additional species: 164, Cladonia pyxidata 1.2; 166, Armeria maritima 1.1; 167, Pleurozium schreberi 1.3; 752, Scapania gracilis 1.3; 852, Lophozia ventricosa 1.2; 952, Gymnocola inflata 1.3; 168, Agrostis setacea +, Campylopus atrovirens +, Cephalozia bicuspidata 1.3, Cladonia impexa +; 34, Aulacomnium palustre 1.2, Erica tetralix 1.2, Molinia caerulea 1.2, Potentilla erecta 1.2, Sphagnum palustre 1.3, S. recurvum 2.3, Equisetum fluviatle +; 35, Deschampsia flexuosa +, 2, Lophocolea bidentata 2.3, Rhytidiadelphus squarrosus 2.3, Rubus fruticosus S.L. +; 36, 71, Polytrichum piliferum 1.2, Urtica dioica +; 37, Nardus stricta +, 2, Polytrichum gracile 2.2.

II.4.a. CAREX ARENARIA COMMUNITY

| Relève number. | 1 | 25 | 4 | 5 | 15 | 13 | 14 | 2 | 3 | 6 | 17 | 7 | 8 | 1 | 2 | 26 | 3 | 26 | 3 | 59 | 60 | 62 | 63 |
|---------------------|-----|-----|-----|----|----|-----|-----|-----|-----|-----|-----|-----|-----|-----|-----|-----|-----|-----|-----|----|----|-----|-----|
| Exposition. | E | E | E | E | E | W | W | W | E | E | W | S | S | N | N | N | N | N | N | E | N | E | N |
| Slope. | - | - | - | - | 2 | 5 | 5 | - | - | - | 5 | 5 | 5 | - | - | - | - | - | - | 15 | 5 | 15 | 20 |
| Phanerogam % cover. | 100 | 100 | 100 | 90 | 90 | 100 | 100 | 100 | 100 | 100 | 100 | 100 | 100 | 100 | 100 | 100 | 100 | 100 | 100 | 90 | 90 | 100 | 100 |
| Cryptogam % cover. | 60 | 60 | 60 | 80 | 30 | 5 | 10 | 60 | 50 | 60 | 80 | 80 | 90 | 50 | 20 | 40 | 50 | 50 | 50 | 50 | 5 | 5 | 5 |
| Relève area. | 10 | 10 | 10 | 10 | 10 | 10 | 10 | 10 | 10 | 10 | 10 | 10 | 10 | 10 | 10 | 10 | 10 | 10 | 10 | 10 | 10 | 10 | 10 |
| Number of species. | 7 | 11 | 11 | 11 | 10 | 7 | 6 | 9 | 10 | 10 | 9 | 12 | 12 | 8 | 5 | 6 | 9 | 6 | 9 | 9 | 7 | 5 | 8 |

Differentials of variants

| | | | | | | | | | | | | | | | | | | | | | | | |
|-----------------------------|-----|-----|-----|-----|-----|-----|-----|-----|-----|-----|-----|-----|-----|-----|-----|-----|-----|-----|-----|-----|-----|-----|-----|
| Pteridium aquilinum | 1.1 | 1.1 | 1.1 | 1.1 | 1.1 | 1.1 | 1.1 | 1.1 | 1.1 | 1.1 | 1.1 | 1.1 | 1.1 | 1.1 | 1.1 | 1.1 | 1.1 | 1.1 | 1.1 | 1.1 | 1.1 | 1.1 | 1.1 |
| Ulex gallii | 2.3 | 2.3 | 2.3 | 2.3 | 2.3 | 2.3 | 2.3 | 2.3 | 2.3 | 2.3 | 2.3 | 2.3 | 2.3 | 2.3 | 2.3 | 2.3 | 2.3 | 2.3 | 2.3 | 2.3 | 2.3 | 2.3 | 2.3 |
| Deschampsia flexuosa | | | | | | | | | | | | | | | | | | | | | | | |
| Quercus species (seedlings) | | | | | | | | | | | | | | | | | | | | | | | |
| Sarothamnus scoparius | | | | | | | | | | | | | | | | | | | | | | | |
| Senecio jacobaea | | | | | | | | | | | | | | | | | | | | | | | |
| Galium verum | | | | | | | | | | | | | | | | | | | | | | | |
| Holcus lanatus | | | | | | | | | | | | | | | | | | | | | | | |
| Poa pratensis | | | | | | | | | | | | | | | | | | | | | | | |
| Ammophila arenaria | | | | | | | | | | | | | | | | | | | | | | | |
| Polygala vulgaris | | | | | | | | | | | | | | | | | | | | | | | |
| Cuscuta epithymum | | | | | | | | | | | | | | | | | | | | | | | |
| Erica cinerea | | | | | | | | | | | | | | | | | | | | | | | |

Differentials of community

| | | | | | | | | | | | | | | | | | | | | | | | |
|----------------|-----|-----|-----|-----|-----|-----|-----|-----|-----|-----|-----|-----|-----|-----|-----|-----|-----|-----|-----|-----|-----|-----|-----|
| Carex arenaria | 1.2 | 1.2 | 1.2 | 1.2 | 1.2 | 1.2 | 1.2 | 1.2 | 1.2 | 1.2 | 1.2 | 1.2 | 1.2 | 1.2 | 1.2 | 1.2 | 1.2 | 1.2 | 1.2 | 1.2 | 1.2 | 1.2 | 1.2 |
|----------------|-----|-----|-----|-----|-----|-----|-----|-----|-----|-----|-----|-----|-----|-----|-----|-----|-----|-----|-----|-----|-----|-----|-----|

Differentials of complex

| | | | | | | | | | | | | | | | | | | | | | | | |
|------------------------|-----|-----|-----|-----|-----|-----|-----|-----|-----|-----|-----|-----|-----|-----|-----|-----|-----|-----|-----|-----|-----|-----|-----|
| Calluna vulgaris | 5.5 | 5.5 | 5.5 | 5.5 | 5.5 | 5.5 | 5.5 | 5.5 | 5.5 | 5.5 | 5.5 | 5.5 | 5.5 | 5.5 | 5.5 | 5.5 | 5.5 | 5.5 | 5.5 | 5.5 | 5.5 | 5.5 | 5.5 |
| Dicranum scoparium | 2.3 | 3.3 | 3.3 | 3.3 | 1.3 | 2.3 | 1.3 | 2.3 | 1.3 | 2.3 | 1.3 | 2.3 | 1.3 | 2.3 | 1.3 | 2.3 | 1.3 | 2.3 | 1.3 | 2.3 | 1.3 | 2.3 | 1.3 |
| Hypnum ericetorum | 3.3 | 3.3 | 3.3 | 1.3 | 2.3 | 2.3 | 3.3 | 2.3 | 2.3 | 2.3 | 2.3 | 2.3 | 2.3 | 2.3 | 2.3 | 2.3 | 2.3 | 2.3 | 2.3 | 2.3 | 2.3 | 2.3 | 2.3 |
| Festuca rubra | | | | | | | | | | | | | | | | | | | | | | | |
| Parmelia physodes | 1.3 | 1.2 | 1.2 | 2.3 | 2.3 | 2.3 | 2.3 | 2.3 | 2.3 | 2.3 | 2.3 | 2.3 | 2.3 | 2.3 | 2.3 | 2.3 | 2.3 | 2.3 | 2.3 | 2.3 | 2.3 | 2.3 | 2.3 |
| Pleurozium schreberi | | | | | | | | | | | | | | | | | | | | | | | |
| Rumex acetosella | | | | | | | | | | | | | | | | | | | | | | | |
| Campanula rotundifolia | 1.1 | 1.1 | 1.1 | 1.1 | 1.1 | 1.1 | 1.1 | 1.1 | 1.1 | 1.1 | 1.1 | 1.1 | 1.1 | 1.1 | 1.1 | 1.1 | 1.1 | 1.1 | 1.1 | 1.1 | 1.1 | 1.1 | 1.1 |

Companion species

| | | | | | | | | | | | | | | | | | | | | | | | |
|-----------------------|--|--|--|--|--|--|--|--|--|--|--|--|--|--|--|--|--|--|--|--|--|--|--|
| Agrostis tenuis | | | | | | | | | | | | | | | | | | | | | | | |
| Polytrichum piliferum | | | | | | | | | | | | | | | | | | | | | | | |
| Cladonia chloropodia | | | | | | | | | | | | | | | | | | | | | | | |
| Holcus mollis | | | | | | | | | | | | | | | | | | | | | | | |
| Galium saxatile | | | | | | | | | | | | | | | | | | | | | | | |
| Cladonia impexa | | | | | | | | | | | | | | | | | | | | | | | |
| C. uncialis | | | | | | | | | | | | | | | | | | | | | | | |

Additional species: ¹⁵ Carex pilulifera 1.2; ⁷ 26, Koeleria cristata 1.2; ¹³ 28, Epilobium angustifolium 1.1; ¹ 25, Cladonia fimbriata 1.2; ¹ 26, Dicranum bonjeani 1.2; ³ 26, Senecio vulgaris +; ⁶³ 9, Cornicularia aculeata +, Leucobryum glaucum 2.3.

II.4.b. AGROSTIS TENUIS COMMUNITY

| | | | | | | |
|---------------------|-----------------|-----------------|-----------------|-----------------|-----------------|-----------------|
| Releve number. | 4 ₂₈ | 3 ₂₈ | 5 ₂₆ | 4 ₂₆ | 2 ₂₇ | 1 ₂₇ |
| Exposition. | NE | NE | NE | NE | NE | NE |
| Slope. | - | - | - | - | - | - |
| Phanerogam % cover. | 100 | 100 | 100 | 100 | 100 | 100 |
| Cryptogam % cover. | 10 | 50 | 80 | 10 | 60 | 90 |
| Releve area. | 10 | 10 | 10 | 10 | 10 | 10 |
| Number of species. | 11 | 10 | 10 | 10 | 11 | 12 |

Differentials of variants

| | | | | | | |
|-----------------------------|-----|-----|-----|-----|-----|------|
| Pseudoscleropodium purum | 2.2 | 2.2 | 1.2 | + | | |
| Lotus corniculatus | 1.1 | 1.2 | | | | |
| Cerastium arvense | 1.2 | 1.1 | | | | |
| Rhytidiadelphus squarrosus | 1.2 | 2.3 | | | | |
| Sieglingia decumbens | | | 1.2 | 1.2 | 1.2 | 1.2 |
| Holcus lanatus | | | + | + | | |
| Cladonia arbuscula | | | | | 2.3 | 1.2 |
| Nardus stricta | | | | | 1.2 | + .2 |
| Potentilla erecta | | | | | 2.2 | 1.2 |
| Quercus species (seedlings) | | | | | + | + |

Differentials of community

| | | | | | | |
|-----------------|-----|--|-----|-----|-----|--|
| Agrostis tenuis | 2.2 | | 1.2 | 1.2 | 1.2 | |
|-----------------|-----|--|-----|-----|-----|--|

Differentials of complex

| | | | | | | |
|------------------------|-----|-----|-----|-----|-----|------|
| Calluna vulgaris | 5.5 | 5.5 | 5.5 | 5.5 | 5.5 | 5.5 |
| Dicranum scoparium | 2.3 | | | | 1.2 | 2.3 |
| Hypnum ericetorum | | | 2.3 | | | 2.3 |
| Festuca rubra | + | 1.2 | 1.2 | 1.2 | 1.2 | + .2 |
| Parmelia physodes | | | | | | + |
| Pleurozium schreberi | 3.3 | 3.3 | | | 4.4 | 4.4 |
| Campanula rotundifolia | | 1.1 | + | | | |

Companion species

| | | | | | | |
|-----------------------|-----|--|--|---|---|---|
| Anthoxanthum odoratum | 1.2 | | | | + | |
| Poa pratensis | + | | | + | | |
| Teucrium scorodonia | | | | + | | + |

Additional species: 3₂₈, Plagiothecium silvaticum +,
 Lolium perenne 1.2; 4₂₈, Lophocolea bidentata +;
 2₂₇, Erica cinerea +, Galium saxatile +; 4₂₆, Koeleria
 cristata 1.2; 1₂₇, Carex pilulifera +.2.

II.4.c. FESTUCA RUBRA COMMUNITY

| | | | | | |
|---------------------|----|-----|----|-----|-----|
| Releve number. | 33 | 34 | 35 | 36 | 37 |
| | 3 | 3 | 3 | 3 | 3 |
| Exposition. | SE | S | S | S | NW |
| Slope. | 20 | - | - | - | 15 |
| Phanerogam % cover. | 90 | 100 | 85 | 100 | 100 |
| Cryptogam % cover. | 60 | 75 | 70 | 60 | 75 |
| Releve area. | 10 | 10 | 10 | 10 | 10 |
| Number of species. | 9 | 11 | 14 | 9 | 11 |

Differentials of variants

| | | | | | |
|-----------------------|-----|-----|-----|---|-----|
| Cladonia impexa | 2.3 | + | 3.3 | | 3.3 |
| C. uncialis | | 1.2 | 1.2 | | 1.2 |
| Cornicularia aculeata | 2.3 | | 1.2 | + | 1.2 |
| Polytrichum gracile | + | | | | 1.2 |
| Vaccinium myrtillus | | 1.3 | | | 1.2 |
| Luzula campestris | | | | + | 1.2 |
| Anthoxanthum odoratum | | | | + | + |

Differentials of complex and community

| | | | | | |
|----------------------|-----|-----|-----|-----|-----|
| Calluna vulgaris | 5.5 | 5.5 | 5.5 | 5.5 | 5.5 |
| Dicranum scoparium | 3.3 | 3.3 | 3.3 | 2.3 | 3.3 |
| Hypnum ericetorum | | 3.3 | | 3.3 | 1.2 |
| Festuca rubra | + | 2.2 | 1.2 | + | |
| Parmelia physodes | 2.3 | 2.3 | 2.3 | | |
| Pleurozium schreberi | | | | | + |

Companion species

| | | | | | |
|----------------------|--|-----|-----|-----|-----|
| Agrostis tenuis | | | +.2 | | 1.2 |
| Deschampsia flexuosa | | | | 1.2 | +.2 |
| Nardus stricta | | +.2 | +.2 | | |

Additional species: 33₃, Ulex europaeus +, Pohlia mutans +; 34₃, Juncus squarrosus +.2; 35₃, Cladonia floerkeana +, Polytrichum piliferum +; 36₃, Carex pilulifera +.2; 37₃, Cladonia arbuscula +.

II.5.a. POHLIA NUTANS COMMUNITY

| | 6 | 7 | 8 | 9 | 10 | 11 | 12 |
|---------------------|-----|-----|-----|-----|-----|-----|-----|
| Releve number. | 28 | 28 | 28 | 28 | 28 | 28 | 28 |
| Exposition. | NE | NE | NE | NE | N | NE | NE |
| Slope. | - | - | - | - | 2 | - | - |
| Phanerogam % slope. | 100 | 100 | 100 | 100 | 100 | 100 | 100 |
| Cryptogam % slope. | 70 | 70 | 30 | 50 | 30 | 20 | 15 |
| Releve area. | 10 | 10 | 10 | 10 | 10 | 10 | 10 |
| Number of species. | 14 | 10 | 7 | 11 | 8 | 8 | 4 |

Differentials of variants

| | | | | | | | |
|------------------------------|-----|-----|-----|-----|-----|-----|--|
| <i>Erica tetralix</i> | 4.4 | 4.4 | 2.2 | 1.1 | | | |
| <i>Molinia caerulea</i> | 1.2 | 2.2 | + | + | | | |
| <i>Scirpus caespitosus</i> | 1.2 | + | | | | | |
| <i>Gymnocolea inflata</i> | 3.3 | 4.4 | | | | | |
| <i>Campylopus atrovirens</i> | 3.3 | 1.2 | | | | | |
| <i>Cladonia coccifera</i> | | | 1.2 | 1.2 | 1.2 | 1.2 | |

Differentials of community and complex

| | | | | | | | |
|---------------------------|-----|-----|-----|-----|-----|-----|-----|
| <i>Calluna vulgaris</i> | 3.3 | 3.3 | 5.5 | 5.5 | 5.5 | 5.5 | 5.5 |
| <i>Parmelia physodes</i> | + | | 1.2 | 1.2 | 1.3 | 1.2 | |
| <i>Pohlia nutans</i> | + | | 2.2 | 3.3 | 2.3 | 1.2 | 2.3 |
| <i>Cladonia squarrosa</i> | | + | | | 1.2 | 1.2 | 1.2 |
| <i>C. crispata</i> | 2.2 | + | | 1.2 | 1.2 | 1.2 | |
| <i>C. floerkeana</i> | + | + | + | 1.2 | + | + | + |
| <i>C. chlorophaea</i> | + | | | + | 1.2 | 1.2 | |

Additional species: ⁶28, *Carex nigra* 1.2, *Juncus squarrosus* +, *Cladonia arbuscula* 1.2; ⁷28, *Betula* species (seedlings) +; ⁹28, *Cephalozia bicuspidata* 1.2, *Dicranum scoparium* +.

II.6.a. SIEGLINGIA DECUMBENS COMMUNITY

| | | | | | |
|---------------------|----|----|----|-----|-----|
| Releve number. | 5 | 3 | 4 | 25 | 19 |
| | 33 | 33 | 33 | 6 | 6 |
| Exposition. | NW | NW | NW | W | S |
| Slope. | - | - | - | 15 | 25 |
| Phanerogam % cover. | 95 | 95 | 95 | 100 | 100 |
| Cryptogam % cover. | 2 | 2 | 2 | - | - |
| Releve area. | 10 | 10 | 10 | 10 | 10 |
| Number of species. | 18 | 18 | 17 | 23 | 26 |

Differentials of variants

| | | | | | |
|---------------------------|-----|-----|-----|-----|-----|
| Pohlia nutans | + | + | + | | |
| Galium saxatile | + | 1.2 | + | | |
| Cladonia macilentata agg. | + | + | | | |
| Antennaria dioica | 1.2 | 1.2 | | | |
| Hypnum ericetorum | + | 1.3 | + | | |
| Festuca ovina | 1.2 | 2.2 | 1.2 | | 1.2 |
| Agrostis tenuis | + | + | 1.2 | | |
| Anthoxanthum odoratum | + | 1.1 | 1.2 | 1.1 | |
| Campanula rotundifolia | 1.1 | 1.1 | + | | |
| Bromus erectus | + | | + | | |
| Festuca rubra | | | | 1.1 | + |
| Brachypodium pinnatum | | | | 4.5 | + |
| Fragaria vesca | | | | + | + |
| Holcus lanatus | | | | 3.3 | + |
| Agrostis montana | | | | 1.2 | 3.2 |
| Poterium sanguisorba | | | | 1.2 | 3.3 |
| Teucrium scorodonia | | | | 3.3 | +2 |

Differentials of community and complex

| | | | | | |
|--------------------------|-----|-----|-----|-----|-----|
| Potentilla erecta | 1.2 | 2.2 | 2.2 | 2.1 | 1.1 |
| Carex flacca | | + | + | + | + |
| Sieglingia decumbens | 2.2 | 2.2 | 2.2 | 1.1 | 2.2 |
| Cirsium acaule | 1.2 | 1.2 | 1.2 | | + |
| Lotus corniculatus | | + | 1.1 | + | 1.1 |
| Helianthemum nummularium | + | | 1.2 | | + |
| Viola canina | | + | + | | + |
| Calluna vulgaris | 5.5 | 4.4 | 4.4 | 1.1 | 1.2 |

Additional species: ³33, Dicranum scoparium +, Polygala serpyllifolia +; ⁴33, Thymus drucei +; ⁵33, Campylopus flexuosus 1.3, Cladonia fimbriata +, Parmelia physodes +; ¹⁹6, Betula species (seedlings) +, Quercus species (seedlings) +, Camptothecium lutescens +, Hypochaeris radicata +, Erica cinerea 3.3, Galium verum +, Cirsium palustre +, Pilosella officinarum +, Plantago lanceolata +, Leontodon autumnalis +; ²⁵6, Agrostis stolonifera 1.2, Dactylis glomerata 1.2, Helictotrichon pratense 1.2, Brachypodium sylvaticum +, Briza media +, Viola riviniana +, Arrhenatherum elatius 1.1, Potentilla reptans +, Rubus caesius +, Trisetum flavescens +.

II.7.a. ULEX GALLII COMMUNITY

Releve number. 3 12 24 8 9 25 25 13 25 26 27 7 10 4 11 14
 27 25 25 25 25 71 71 71 71 71 71 25 25 27 25 25 E
 W NE NE E E E NE NE NE NE NE E SE S E
 - 5 2 2 - - 2 - - - - - 5 -
 Slope. 90 100 100 90 90 100 100 100 100 100 100 100 100 95 95 100
 Phanerogam % cover. 50 15 15 20 10 20 50 10 10 10 5 30 20 20 30 -
 Cryptogam % cover. 10 10 10 10 10 10 10 10 10 10 10 10 10 10 10 10
 Releve area. 5 5 7 9 8 4 5 7 9 7 7 11 10 7 7 5
 Number of species.

Differentials of variants

Campylopus flexuosus 3.3 + 1.3 1.2 2.3
 Cladonia uncialis + 2.3
 Polytrichum juniperinum 1.2 1.3
 Leceidia spp. 2.3 2.3
 Carex arenaria 1.2 1.2 +
 Agrostis tenuis 1.2
 Festuca rubra 1.2
 Parmelia physodes
 Ulex europaeus 1.2 2.2 1.2 2.2 2.2
 Quercus species (seedlings) 1.2 2.2 1.2 2.2 +.2
 Carex pilulifera 3.3 4.4 1.3 2.3 +
 + 3.3 4.4 + +
 + 1.2 1.2

Differentials of community and complex

Erica cinerea (+) 3.3 3.3 2.2 1.2 2.2 2.2 4.4 2.2 4.4 3.3 2.2 4.4 5.5
 Ulex gallii 2.2 3.3 3.3 2.3 4.4 3.3 4.4 4.4 4.4 1.2 1.2 3.3
 Calluna vulgaris 5.5 3.3 4.4 5.5 5.5 3.3 4.4 2.2 3.3 3.3 1.3 3.3 4.4 2.3 1.2
 Cladonia chlorophaea 1.3 1.2 1.3 1.3 2.3 + 2.2 2.3
 Dicranum scoparium 2.3 1.3 1.3 1.3 2.3 + 2.3
 Hypnum ericetorum 1.3 2.3 1.3 1.3

Companion species

Cladonia macilenta 2.3 1.3 1.2
 C. pyxidata 1.3 1.2
 Zygonium ericetorum 1.3

Additional species: 8 25, Cuscuta epithyllum 1.2.

III.1.a. MELAMPYRUM PRATENSE COMMUNITY

| Releve number. | 34 | 37 | 38 | 39 | 15 | 36 | 10 | 4 | 5 | 57 | 58 | 3 | 27 | 35 | 23 | 30 | 28 | 8 | 14 |
|-----------------------|----|----|----|----|-----|----|----|----|----|----|----|----|----|----|----|----|----|----|----|
| Exposition. | SW | SW | SW | SW | NW | NW | N | N | W | W | SW | W | N | W | N | W | W | NE | NE |
| Slope. | 35 | 35 | 35 | 30 | 30 | 35 | 15 | 2 | 35 | 5 | 5 | 30 | 42 | 35 | 20 | 25 | 40 | 30 | 30 |
| Phanerogam % cover. | 80 | 90 | 95 | 90 | 100 | 95 | 95 | 98 | 90 | 95 | 85 | 95 | 98 | 80 | 98 | 95 | 95 | 10 | 80 |
| Cryptogam % cover. | 60 | 30 | 30 | 10 | 60 | 30 | 50 | 40 | 60 | 40 | 60 | 50 | 20 | 60 | 15 | 5 | 10 | 90 | 15 |
| Releve area (sq. m.). | 16 | 16 | 16 | 16 | 16 | 10 | 30 | 15 | 15 | 16 | 16 | 15 | 16 | 16 | 25 | 15 | 16 | 16 | 16 |
| Number of species. | 14 | 17 | 17 | 13 | 14 | 15 | 19 | 17 | 16 | 21 | 20 | 19 | 16 | 14 | 26 | 20 | 23 | 18 | 30 |

Differentials of variants

| | | | | | | | | | | | | | | | | | | | |
|-----------------------|-----|-----|-----|-----|---|-----|------|-----|-----|-----|-----|-----|-----|-----|-----|---|-----|-----|-----|
| Cladonia floerkeana | +2 | + | 1.2 | | + | | + | + | | + | 1.2 | + | | + | + | + | + | + | 2.2 |
| C. chlorophaea | | 1.2 | + | + | | + | (+2) | + | + | 1.2 | + | + | + | | 2.2 | + | 1.3 | 1.2 | 2.2 |
| C. crispata | 3.4 | + | 1.2 | | + | + | | 1.2 | 2.2 | 3.3 | 2.2 | 2.2 | 1.2 | 1.2 | + | + | + | + | |
| Lecidea quadricolor | 1.2 | 2.1 | 2.2 | + | + | 2.3 | | +2 | 2.2 | | 2.2 | 2.2 | 1.3 | 2.2 | + | + | + | | 1.2 |
| Erica cinerea | 1.3 | 2.2 | 1.2 | 1.3 | | | | | | | | | | | | | | | r |
| Vaccinium vitis-idaea | | | | | | | 2.2 | 2.2 | 1.1 | 2.2 | 3.3 | 2.2 | | | | | | | |
| Cladonia coccifera | | | | | | | | | | + | 1.2 | | | + | | + | + | | + |
| C. squarrosa | | | | | | | | | | 1.1 | 1.2 | + | 1.2 | + | + | | | | + |
| C. impexa | | | | + | | | | | | + | + | + | | | + | | | + | 1.1 |
| C. macilenta agg. | | | | | | | | | | + | + | + | | | + | | | | + |
| Polytrichum commune | | | | | | | | +2 | | | | | | | + | + | 1.3 | 1.1 | 1.1 |
| Betula spp. (K) | | | | | | | | | | | | | | | | | | | (+) |
| Holcus mollis | | | | | | | | | | | | | | | | | | | |
| Oxalis acetosella | | | | | | | | | | | | | | | | | | | |
| Agrostis tenuis | | | | | | | | | | | | | | | | | | | |
| Galium saxatile | | | | | | | | | | | | | | | | | | | + |

Differentials of community

| | | | | | | | | | | | | | | | | | | | |
|------------------------------|-----|-----|-----|-----|-----|-----|-----|-----|---|----|-----|-----|-----|-----|-----|---|---|-----|-----|
| Melampyrum pratense | 1.1 | 1.1 | 1.1 | + | + | + | 1.1 | 1.1 | + | r | 1.2 | 1.1 | 1.1 | + | 1.1 | | | | 1.1 |
| Calyptogeia mülleriana | + | | | | + | 1.2 | | + | + | +2 | | | | | 1.2 | + | + | 2.2 | |
| Pteridium aquilinum | | + | 1.1 | 2.1 | 2.1 | | + | 1.1 | | | | | | 1.1 | (+) | + | | 1.1 | + |
| Sorbus aucuparia (seedlings) | | + | | | | | | | + | | | | + | | + | | | + | + |
| Blechnum spicant | | +2 | | | | | | | | | | | | | | | | | 1.3 |
| Lepidozia reptans | | | | | + | | | | | | | | | + | | | | | 1.2 |
| Gymnocolea inflata | | | | | 1.2 | 1.2 | | | | | | | +2 | | | | | | + |
| Lophocolea bidentata | | | | | | | + | | | | | | | | | | | | 1.3 |
| Empetrum nigrum | | | | | | | + | | | + | (+) | | | | + | | | | + |
| Cephaloziella starkei | | | | 1.2 | | | | | | | | | + | | | | | | + |
| Campylopus flexuosus | | | | | | | | | + | | | | | + | | + | + | | + |
| Calyptogeia fissa | | | | | | | | | + | | | | | | | | | | + |
| Polytrichum juniperinum | | | + | | | | | | | | | | | | + | | | | + |

Differentials of complex

| | | | | | | | | | | | | | | | | | | | |
|----------------------|-----|-----|-----|-----|-----|-----|-----|-----|-----|-----|-----|-----|-----|-----|-----|-----|-----|-----|-----|
| Vaccinium myrtillus | 3.4 | 4.5 | 5.5 | 4.5 | 2.3 | 4.3 | 5.4 | 4.5 | 3.4 | 2.2 | 2.2 | 3.3 | 2.3 | 4.3 | 4.4 | 2.3 | 1.3 | 2.3 | 2.2 |
| Pohlia nutans | +2 | + | + | | 2.2 | 1.2 | 1.2 | + | 1.2 | 1.1 | 1.2 | + | + | 1.2 | +2 | | + | 2.2 | + |
| Calluna vulgaris | 4.2 | 2.2 | 3.3 | 2.2 | 5.5 | 4.3 | 2.2 | 3.3 | 4.4 | 5.5 | 4.3 | 4.3 | 4.4 | 4.4 | 4.4 | 5.5 | 5.5 | 5.5 | 4.4 |
| Deschampsia flexuosa | 1.2 | 2.2 | 2.2 | 3.3 | + | 1.2 | 2.2 | 1.2 | 1.2 | + | 1.2 | 1.2 | 2.2 | 2.2 | 2.2 | 2.2 | 1.2 | 1.2 | 2.2 |
| Dicranum scoparium | | | 2.3 | 2.2 | 1.2 | + | +2 | 1.2 | 1.2 | + | +2 | +2 | | + | + | + | + | | + |
| Hypnum ericetorum | | | 1.3 | +2 | | | +2 | 3.3 | 3.3 | 1.2 | 1.2 | | | 1.3 | | + | 1.3 | + | + |
| Parmelia physodes | | + | 1.3 | + | 1.1 | +2 | + | + | | 1.2 | 1.1 | + | + | 2.2 | + | + | + | 1.1 | 1.1 |
| Potentilla erecta | | + | | | | | | | | | | | | | | | | | + |
| Pleurozium schreberi | | | | | | | 1.2 | | | | | | | | | | | | + |

Companion species

| | | | | | | | | | | | | | | | | | | | |
|---------------------------|--|--|--|--|---|--|--|--|---|---|--|---|--|--|--|--|---|--|-----|
| Lephozia ventricosa | | | | | | | | | | | | + | | | | | | | 1.2 |
| Sphagnum quinquefarium | | | | | | | | | | | | | | | | | + | | |
| Thelypteris limbosperma | | | | | | | | | | | | | | | | | | | + |
| Luzula pilosa | | | | | | | | | | | | | | | | | | | |
| Dryopteris dilatata | | | | | | | | | | | | | | | | | | | |
| Cladonia gracilis | | | | | + | | | | | + | | | | | | | | | |
| Mnium hornum | | | | | | | | | + | | | | | | | | | | |
| Anthoxanthum odoratum | | | | | | | | | | | | | | | | | | | |
| Lophozia bicrenata | | | | | | | | | | | | | | | | | | | |
| Plagiochila aspleniodes | | | | | | | | | | | | | | | | | | | |
| X Epilobium angustifolium | | | | | | | | | | | | | | | | | | | |
| Plagiothecium undulatum | | | | | | | | | | | | | | | | | | | |

Additional species: ¹⁹/₄₀, Rhytidiadelphus squarrosus +; ²³/₄₀, Eurhynchium praelongum +, Cladonia fimbriata +; ⁹/₄₀, Salix caprea +; ²⁵/₄₀, Festuca rubra 2.2.

| | | | | | | | | | | | | | |
|----|----|----|----|----|----|-----|-----|----|-----|----|----|----|----|
| 59 | 7 | 9 | 13 | 12 | 19 | 20 | 25 | 18 | 17 | 16 | 22 | 29 | 40 |
| 40 | 40 | 40 | 40 | 40 | 40 | 40 | 40 | 40 | 40 | 40 | 40 | 40 | 40 |
| NE | NE | NE | NE | E | N | N | NE | N | N | NW | NE | W | NW |
| 35 | 30 | 40 | 25 | 45 | 35 | 20 | 12 | 25 | 35 | 30 | 40 | 25 | 28 |
| 10 | 10 | 95 | 95 | 85 | 95 | 100 | 100 | 90 | 100 | 95 | 95 | 95 | 90 |
| 90 | 90 | 50 | 40 | 75 | 5 | 30 | 95 | 2 | 90 | 90 | 80 | 10 | 40 |
| 20 | 16 | 25 | 16 | 16 | 4 | 30 | 16 | 16 | 4 | 16 | 25 | 16 | 16 |
| 16 | 18 | 26 | 27 | 19 | 15 | 16 | 24 | 13 | 17 | 15 | 20 | 12 | 11 |

+ + 2.2
 + + + 1.1
 + + 1.2 1.1
 1.1 1.1 1.2 2.3

+ +
 + + (+)
 + + 1.1
 5.5 5.4 2.3 2.2 +
 1.2 + +

1.1 +
 1.2 +
 + 1.2
 1.1 1.2 +.2

+ 1.1 1.2 2.2 + 2.1 1.1 1.1 +
 + + + + + + +
 1.1 3.3 2.2 4.4 4.2 1.1 1.1 + 1.1 5.5
 + (+) r + + +
 + + + + + + +
 2.2 2.2 1.1 2.1 + +
 + (+.2) + +.2 +
 +.2 + 1.2 + + + +

1.2 1.3 5.5 4.4 5.4 3.4 2.2 3.4 5.4 5.5 5.5 4.4 4.4 5.5
 + + 1.2 + 1.2 + + + +
 1.3 2.2 2.2 2.3 2.2 1.2 4.4 4.3 1.2 1.2 5.5 3.3 2.3
 2.2 2.2 2.2 2.2 2.2 3.3 2.3 2.2 2.2 2.2 2.2 2.2 +.2
 +.2 + + 2.2 1.2 + 3.2 1.1 + 1.2 + 1.2 2.3
 1.3 + 1.3 + 2.2 4.4 + 4.4 3.3 2.2 2.4 2.2
 + + 1.1 + + + +
 + 1.3 1.1 + 2.2 1.2 + + 2.3 3.3
 1.2 (+) +.2 1.2 +

 +.2 1.2 + + + + +
 + 1.3 + + + + +
 + + + + + + +
 1.2 + + +.2
 + + 1.2 + +
 + + + + +
 + 1.1 + +

III.1.(b). POHLIA NUTANS COMMUNITY

| | | | | | | | | | | | | | | |
|-----------------------|-----|----|-----|-----|-----|-----|-----|-----|-----|-----|-----|-----|-----|----|
| Releve number. | 31 | 32 | 33 | 18 | 19 | 20 | 47 | 42 | 43 | 44 | 45 | 46 | 47 | 48 |
| Exposition. | 40 | 40 | 40 | 43 | 43 | 43 | 40 | 40 | 40 | 40 | 40 | 40 | 40 | 40 |
| Slope. | W | W | SW | W | W | W | E | E | E | E | E | E | E | E |
| Phanerogam % cover. | 2 | 2 | 3 | - | - | - | - | - | 5 | 5 | 5 | 5 | 5 | 5 |
| Cryptogam % cover. | 100 | 95 | 100 | 100 | 100 | 100 | 100 | 100 | 100 | 100 | 100 | 100 | 100 | 80 |
| Releve area (sq. m.). | 40 | 60 | 40 | 40 | 40 | 40 | 80 | 80 | 30 | 40 | 20 | 50 | 40 | 30 |
| Number of species. | 16 | 16 | 16 | 16 | 16 | 16 | 16 | 16 | 16 | 16 | 16 | 16 | 16 | 16 |
| | 10 | 10 | 11 | 13 | 12 | 13 | 9 | 11 | 11 | 11 | 8 | 11 | 11 | 5 |

Differentials of variants

| | | | |
|--------------------------|-------|-----|-----|
| Vaccinium vitis-idaea | 1.1 | 1.1 | 1.2 |
| Carex nigra | (1.3) | + | +2 |
| Eriophorum angustifolium | 2.1 | 2.1 | 2.1 |
| Calypogeia mülleriana | 2.2 | + | 1.2 |
| Cladonia chlorophaea | | + | 1.2 |
| Nardus stricta | 2.2 | 2.2 | 1.2 |
| Juncus squarrosus | + | 2.2 | 1.2 |
| Cladonia arbuscula | 1.2 | + | 1.2 |
| C. coccifera | | 1.2 | 1.2 |
| Lecidia quadricolor | | + | + |

Differentials of community and complex

| | | | | | | | | | | | | | | |
|----------------------|-----|-----|-----|-----|-----|-----|-----|-----|-----|-----|-----|-----|-----|-----|
| Vaccinium myrtillus | 2.1 | 2.2 | 2.2 | 2.2 | + | 1.2 | 2.2 | 1.2 | 3.3 | 4.4 | 4.4 | 3.3 | 1.2 | 5.5 |
| Pohlia nutans | 3.2 | 4.3 | 1.2 | 1.2 | + | 1.2 | 1.2 | 1.2 | + | 1.2 | 1.2 | 1.2 | 1.2 | 1.2 |
| Calluna vulgaris | 5.5 | 5.5 | 5.5 | 5.5 | 5.5 | 5.5 | 5.5 | 5.5 | 5.5 | 5.5 | 5.5 | 5.5 | 5.5 | + |
| Deschampsia flexuosa | + | + | + | 2.2 | 2.2 | 1.2 | 2.2 | 2.2 | 1.2 | 2.2 | 2.2 | 1.2 | 1.2 | 3.3 |
| Dicranum scoparium | 1.1 | + | 2.3 | 2.2 | 2.2 | + | + | + | + | + | + | + | 2.2 | |
| Hypnum ericetorum | + | 2.2 | 3.3 | 1.2 | 3.3 | 4.4 | 4.4 | + | + | + | + | 3.3 | 2.3 | |
| Parmelia physodes | | | | | | | | | | | | | 1.2 | 2.2 |
| Potentilla erecta | | | | | | | | | | | | | + | |
| Pleurozium schreberi | | | | | | | | | | | | | + | |

Companion species

| | | | | | | | | | | | | | | | |
|---------------------|--|--|--|--|--|--|--|--|--|--|--|--|--|--|---|
| Polytrichum gracile | | | | | | | | | | | | | | | + |
| Ulex gallii | | | | | | | | | | | | | | | |
| Ptilidium ciliare | | | | | | | | | | | | | | | |
| Cladonia pyxidata | | | | | | | | | | | | | | | |
| C. crispata | | | | | | | | | | | | | | | |
| C. squarrosa | | | | | | | | | | | | | | | |

Additional species: 32, Lepidozia reptans 1.2; 19, Agrostis tenuis +; 42, Lophocolea bidentata +, 40, Galium saxatile +; 43, Polytrichum juniperinum 1.2; 44, Carex pilulifera 1.2; 46, Cladonia impepa +.

Cladonia chlorophaea
C. fimbriata
Juncus effusus

1.2
1.2

+

+

+ .2 +

Additional species: ¹⁰66, Ulex europaeus +, Bryum pseudotriquetrum +, Calypogeia trichomanes 3.3, Hieracium tridentata 1.1, Eurhynchium striatum +; ¹¹66, Cladonia squarrosa +, Polytrichum juniperinum +, Carex panicea +, Calypogeia arguta +; ¹¹65, Polytrichum commune +; ²67, Cornicularia aculeata 1.2; ⁹66, Blechnum spicant +; ¹⁸66, Plagiochila asplenoides +; ²¹66, Thuidium tamariscini +, Viola riviniana +, Rhytidiadelphus triquetrus +; ⁵67, Dicranum bonjeani +, Sphagnum quinquefarium 2.3; ³¹66, Agrostis montana +, Euphrasia micrantha +; ⁴67, Lotus corniculatus +, Equisetum arvense +, Lathyrus montana +; ²68, Sorbus aucuparia (seedlings) +, Holcus mollis +.2; ³68, Sagina procumbens +.

III.2.b. ERICA CINEREA COMMUNITY

| | | | | | | | | | | |
|---------------------|----|----|-----|-----|----|-----|-----|-----|-----|-----|
| Releve number. | 30 | 32 | 4 | 9 | 22 | 23 | 28 | 4 | 29 | 5 |
| | 66 | 66 | 68 | 69 | 66 | 66 | 66 | 69 | 66 | 69 |
| Exposition. | W | W | N | W | NW | NW | NW | S | SE | S |
| Slope. | 30 | 30 | 30 | 10 | 10 | 5 | - | 2 | 2 | 5 |
| Phanerogam % cover. | 75 | 95 | 100 | 100 | 90 | 100 | 100 | 100 | 100 | 100 |
| Cryptogam % cover. | 20 | 60 | 20 | 95 | 60 | 50 | 60 | 40 | 15 | 40 |
| Releve area. | 10 | 10 | 10 | 10 | 10 | 10 | 10 | 10 | 10 | 10 |
| Number of species. | 8 | 12 | 12 | 10 | 10 | 13 | 12 | 10 | 9 | 10 |

Differentials of variants

| | | | | | | | | | | |
|------------------------|-----|-----|--|--|--|--|--|--|--|---|
| <i>Empetrum nigrum</i> | 1.2 | 1.2 | | | | | | | | + |
| <i>Festuca rubra</i> | + | 1.2 | | | | | | | | |
| <i>Viola canina</i> | + | + | | | | | | | | |

Differentials of community

| | | | | | | | | | | |
|----------------------|-----|-----|-----|-----|-----|-----|-----|---|-----|-----|
| <i>Erica cinerea</i> | 1.2 | + | 5.5 | + | 4.4 | 3.3 | 2.2 | + | 2.2 | 1.2 |
| <i>E. tetralix</i> | | 1.2 | | 1.2 | 1.2 | | | + | 1.2 | 3.3 |
| | | | | | | | | | 1.2 | 1.2 |

Differentials of complex

| | | | | | | | | | | |
|-----------------------------------|-----|-----|-----|-----|-----|-----|-----|-----|-----|-----|
| <i>Calluna vulgaris</i> | 4.4 | 5.5 | 1.3 | 5.5 | 3.3 | 4.4 | 5.5 | 5.5 | 4.4 | 5.5 |
| <i>Deschampsia flexuosa</i> | 1.2 | 1.2 | | | | + | 1.2 | | 1.2 | |
| <i>Hypnum ericetorum</i> | 1.2 | 3.3 | | 2.3 | 3.3 | 3.3 | 4.4 | 2.3 | | 3.3 |
| <i>Nardus stricta</i> | | | + | 2.2 | 1.2 | +2 | 1.2 | 2.2 | + | 1.2 |
| <i>Rhytidiadelphus squarrosus</i> | | | | + | | | 1.2 | | | |
| <i>Parmelia physodes</i> | | | + | | | | | | | |
| <i>Dicranum scoparium</i> | | | | + | | | | + | | + |
| <i>Pleurozium schreberi</i> | | | | 4.4 | | | | | | 3.3 |
| <i>Galium saxatile</i> | | + | | | 1.2 | 1.2 | 1.2 | + | 1.2 | |
| <i>Agrostis tenuis</i> | | | | | 2.2 | 1.2 | + | + | | + |
| <i>Sieglingia decumbens</i> | + | + | + | 1.2 | + | 1.2 | | | | |
| <i>Lophocolea bidentata</i> | | 1.2 | | | | | 1.2 | | | |
| <i>Potentilla erecta</i> | | | + | + | + | + | | | | |

Companion species

| | | | | | | | | | | |
|-----------------------------|--|-----|---|--|-----|-----|-----|-----|-----|---|
| <i>Cladonia chlorophaea</i> | | | | | | 1.2 | 1.2 | | | |
| <i>Pohlia nutans</i> | | | | | | | | 2.3 | 1.2 | |
| <i>Carex pilulifera</i> | | | + | | | | | + | | |
| <i>Campylopus flexuosus</i> | | | | | 1.2 | 1.2 | | | | |
| <i>Lophozia floerkii</i> | | 1.2 | | | | | | | | + |
| <i>Carex binervis</i> | | | | | | | | 1.2 | | + |
| <i>Cladonia fimbriata</i> | | | | | | | + | | + | |

Additional species: ⁴68, *Cladonia coccifera* 2.2, *Pteridium aquilinum* 1.1, *Cladonia squarrosa* +, *Polygala vulgaris* +, *Ulex europaeus* 2.3; ²³66, *Cladonia floerkeana* +; ²⁹66, *Cladonia furcata* 2.3.

Additional species: ⁵ 72, Rhytidiadelphus squarrosus +, Sphagnum rubellum +.3; ³ 72, Empetrum nigrum +,
Racomitrium lanuginosum 3.3; ² 79, Salix aurita r; ³ 80, Juncus squarrosus +.

Additional species: ¹70, *Luzula multiflora* 2.1; ⁵65, *Blechnum spicant* +, *Calyptogeia trichomanes* +, *Polytrichum commune* +, *Mylia taylori* +, *Sphagnum quinquefarium* +; ²65, *Carex nigra* 2.2, *Vaccinium vitis-idaea* +; ¹³65, *Diplophyllum albicans* 1.2, *Lepidozin reptans* +; ⁵48, *Festuca rubra* 1.2, *Hylacomium splendens* 1.2; ⁹65, *Cladonia squarrosa* +, *Oxalis acetosella* 1.2; ²70, *Cornicularia aculeata* +; ¹65, *Cladonia furcata* 2.3; ⁸65, *Dicrenella varia* +, *Chiloscyphus pallescens* +; ¹⁰65, *Mnium hornum* +; ²61, *Erica tetralix* 2.2, *Sorbus aucuparia* +, *Sphagnum papillosum* 3.3, *Juncus effusus* 1.2; ¹¹61, *Betula* spp. (seedling) r; ¹²61, *Zygogonium ericetorum* 2.4; ¹⁶66, *Campanula rotundifolia* +; ²⁰66, *Cetraria islandica* 1.2, *Carex capillaris* +, *Dicranum bonjeani* +.

III.3.c. DESCHAMPSIA FLEXUOSA COMMUNITY

| Releve number. | 10 | 31 | 32 | 26 | 6 | 7 | 1 | 2 | 1 | 2 | 3 | 4 | 1 | 2 | 1 | 3 | 11 | 6 | 13 |
|-----------------------|-----|-----|-----|----|-----|-----|-----|-----|-----|-----|-----|-----|-----|-----|----|-----|-----|-----|-----|
| | 69 | 45 | 45 | 66 | 70 | 70 | 35 | 35 | 42 | 42 | 42 | 42 | 46 | 46 | 48 | 49 | 70 | 67 | 66 |
| Exposition. | W | NW | NW | S | E | E | N | N | SW | S | S | SW | N | N | NW | NW | S | NE | W |
| Slope. | 2 | 3 | 3 | 6 | - | 5 | 35 | 35 | 10 | 20 | 25 | 10 | 20 | 20 | 30 | - | 45 | 20 | 5 |
| Phanerogam % cover. | 100 | 100 | 100 | 95 | 100 | 100 | 100 | 100 | 100 | 100 | 100 | 100 | 100 | 100 | 90 | 100 | 100 | 100 | 100 |
| Cryptogam % cover. | 70 | 30 | 50 | 60 | 10 | 60 | 50 | 50 | 60 | 60 | 60 | 60 | 70 | 80 | 60 | 30 | 15 | 50 | 70 |
| Releve area (sq. m.). | 10 | 10 | 10 | 10 | 10 | 10 | 10 | 10 | 10 | 10 | 10 | 10 | 10 | 10 | 10 | 10 | 10 | 10 | 10 |
| Number of species. | 14 | 13 | 11 | 11 | 7 | 12 | 14 | 18 | 16 | 11 | 9 | 11 | 20 | 17 | 16 | 10 | 9 | 15 | 11 |

Differentials of variants

| | | | | | | | | | | | | | | | | | | | |
|--------------------------|-----|-----|---|---|-----|-----|-----|---|-----|-----|-----|-----|-----|-----|-----|-----|--|--|---|
| Carex pilulifera | + | + | + | + | | + | | + | | | | | | | | | | | |
| Anthoxanthum odoratum | | + | + | | | | + | | | | | | | | | | | | |
| Carex binervis | 1.2 | + | | | | | | | | | | | 1.2 | 1.2 | | | | | |
| Hylocomium splendens | 1.3 | 2.3 | | | | | | | | | | | 1.3 | | | | | | |
| Pteridium aquilinum | | | | | 2.1 | 2.1 | 1.1 | + | | | | | | | | | | | |
| Diplophyllum albicans | | | | | | | 1.3 | + | | | | | | | 2.3 | 1.2 | | | + |
| Betula spp. (seedlings). | | | | | | | + | + | | | | | | | | | | | |
| Festuca rubra | | | | | | | 1.2 | + | | +.2 | | +.2 | +.2 | | | | | | |
| Molinia caerulea | | | | | | | | | 1.2 | 2.2 | 1.2 | 2.2 | | 1.2 | + | | | | |
| Ulex gallii | | | | | | | | | | 1.2 | | 1.2 | | | | | | | |
| Cladonia arbuscula | | | | | | | | | + | | | + | 2.3 | 1.2 | 1.2 | 1.2 | | | |
| Rhytidiadelphus loreus | | | | | | | | | | | | | 1.3 | 1.3 | + | | | | |
| Lophozia floerkii | | | | | | | | | | | | | 1.3 | 1.2 | | | | | |
| Polytrichum formosum | | | | | | | | | | | | | 1.2 | 1.2 | | | | | |
| Vaccinium vitis-idaea | | | | | | | | | | | | | | | | | | | |
| Pohlia nutans | | | | | | | | | | | | | | | | | | | |
| Erica cinerea | | | | | | | | | | | | | | | | | | | |

Differentials of complex and community

| | | | | | | | | | | | | | | | | | | | |
|----------------------|-----|-----|-----|-----|-----|-----|-----|-----|-----|-----|-----|-----|-----|-----|-----|-----|-----|-----|-----|
| Vaccinium myrtillus | 2.3 | + | 1.2 | 1.2 | 2.1 | 4.4 | 1.3 | + | 4.4 | 3.3 | 3.3 | 4.4 | 3.3 | 3.3 | 4.4 | 2.3 | 3.3 | 1.2 | 1.2 |
| Calluna vulgaris | 5.5 | 5.5 | 5.5 | 5.5 | 5.5 | 5.5 | 5.5 | 5.5 | 5.5 | 5.5 | 5.5 | 5.5 | 5.5 | 5.5 | 5.5 | 4.4 | 1.3 | 5.5 | 5.5 |
| Deschampsia flexuosa | | 3.3 | 3.3 | 1.2 | + | 2.2 | 1.2 | 1.2 | 1.2 | 1.2 | 1.2 | 1.2 | 2.2 | 2.2 | 1.2 | | 1.2 | 1.2 | + |
| Hypnum ericetorum | 3.3 | + | 1.3 | 4.4 | | 2.3 | 1.3 | 1.3 | 3.3 | 4.4 | 4.4 | 4.4 | 1.3 | 1.3 | 3.3 | 2.3 | | 3.3 | 3.3 |
| Nardus stricta | 2.2 | | | | | | | | 1.2 | | | | +.2 | | 1.2 | 2.2 | | 1.2 | |
| Parmelia physodes | | | | 1.3 | | | | | 1.3 | + | 1.2 | 1.2 | | | | 1.2 | | | 1.2 |
| Dicranum scoparium | + | | | 1.3 | +.2 | 2.3 | 1.3 | 3.3 | 1.2 | + | | 1.2 | 1.3 | 2.2 | 1.3 | | 2.3 | | + |
| Pleurozium schreberi | 3.3 | 2.3 | 3.3 | 2.3 | 1.2 | 3.3 | | 1.3 | 3.3 | | | | 4.4 | 4.4 | 3.3 | 1.3 | | | 2.3 |
| Potentilla erecta | + | 1.2 | 1.2 | | + | | | + | + | 1.2 | 1.2 | | 1.2 | 1.2 | 1.2 | | | | 1.1 |
| Agrostis tenuis | 1.3 | 1.2 | | | | 1.2 | 1.2 | | | | | | | | 1.2 | | +.2 | 1.2 | |
| Galium saxatile | + | + | + | | | | | + | 1.2 | 1.2 | | 1.2 | 1.2 | 1.2 | | 1.2 | 1.2 | 1.2 | |

Companion species

| | | | | | | | | | | | | | | | | | | | |
|----------------------------|-----|-----|-----|-----|--|-----|-----|---|-----|--|-----|--|-----|-----|-----|--|--|-----|-----|
| Sorbus aucuparia | | | | | | | | | | | | | + | | | | | | |
| Blechnum spicant | | | | | | +.2 | | + | | | | | | 1.2 | | | | | |
| Dicranum majus | | | | | | | | | | | 1.2 | | | | | | | | |
| Rumex acetosella | | | | | | | | + | | | | | | | | | | | + |
| Luzula multiflora | | | | | | | | | | | | | | | | | | | 1.2 |
| Agrostis stolonifera | + | | | | | | | | | | | | | | | | | | |
| Lophozia ventricosa | | | | | | | 1.2 | | 1.2 | | | | | | | | | | |
| Cladonia fimbriata | | | | | | | | + | | | | | | | | | | | + |
| Rhacomitrium languinosum | | | | | | | | | | | | | | 1.2 | 1.2 | | | | |
| Festuca ovina | | | | | | | | | | | | | | | | | | 1.2 | |
| Lophocolea bidentata | | | | 1.2 | | | | | | | | | | | | | | | + |
| Sieglingia decumbens | | | | | | | | | + | | | | 1.2 | | | | | | + |
| Plagiothecium undulatum | | | | + | | | | | + | | | | | | 1.2 | | | 1.2 | + |
| Rhytidiadelphus squarrosus | 3.3 | 2.3 | 2.3 | | | | | | | | | | | + | | | | 1.2 | |
| Erica tetralix | | | | | | | | | | | | | | | | | | | |

Additional species: ⁷70, Cladonia uncialis +, C. floerkeana 1.2; ²35, Hieracium tridentata +, Pilosella officinarum +, Polytrichum piliferum 1.3; ²46, Cladonia coccifera 1.2; ¹¹70, Calypogeia trichomanes +, Cryptogramma crispa 4.4; ⁶67, Lepidozia reptans +; ¹³66, Cladonia chlorophaea +, Campylopus fragilis +; ²69, Gymnocolea inflata 2.2, Juncus squarrosus 1.2, Carex nigra 1.2, Scirpus caespitosus 2.2; ³42, Ulex europaeus 2.2; ¹48, Sphagnum tenellum +; ¹46, Plagiochila asplenioides 1.2; ¹35, Luzula campestris +, Peltigera canina +.3; ³²45, Holcus lanatus +; ²⁶66, Dryopteris dilatata +; ¹61, Empetrum nigrum 1.1, Sphagnum papillosum 2.3, Plagiothecium silvaticum +; ⁴61, Sphagnum quinquefarium 3.3, Lepidozia pinnata 2.3, Cladonia squarrosa +; ¹⁴61, Campylopus flexuosus 2.3; ¹⁵61, Cladonia pyxidata +.

| | | | | | | | | | | | | |
|-----|-----|-----|-----|-----|-----|-----|-----|-----|-----|-----|-----|-----|
| 14 | 2 | 3 | 4 | 1 | 16 | 19 | 5 | 7 | 14 | 15 | 17 | 26 |
| 66 | 69 | 61 | 61 | 61 | 61 | 61 | 61 | 61 | 61 | 61 | 61 | 61 |
| SW | W | W | N | N | E | W | N | S | S | S | E | E |
| 5 | 5 | 15 | 30 | 5 | 5 | 2 | - | 40 | 10 | 10 | 2 | - |
| 100 | 100 | 100 | 100 | 100 | 100 | 100 | 100 | 100 | 100 | 100 | 100 | 100 |
| 85 | 70 | 30 | 80 | 60 | 20 | 30 | 60 | 70 | - | 60 | 60 | - |
| 10 | 10 | 10 | 10 | 10 | 10 | 10 | 10 | 10 | 10 | 10 | 10 | 10 |
| 9 | 11 | 7 | 16 | 14 | 5 | 7 | 11 | 9 | 5 | 8 | 5 | 4 |

2.1 2.1 2.1 + + 2.1 5.5
 1.1 +
1.2

3.3 2.3 2.2
3.3 1.3
2.2 + 1.2

+ 1.3 3.3 3.3 1.1 1.2 1.2 3.3 1.3 4.4 1.3 1.2
5.5 5.5 5.5 5.5 5.5 5.5 5.5 4.4 5.5 5.5 1.2 5.5 5.5
2.2 2.2 1.2 1.2 3.2 1.2 3.3 2.2
3.3 2.3 3.3 2.3 3.3 3.3 3.3 3.3
 1.2 1.2 2.2 1.2 1.2
1.2 + + 2.1 +
1.3 1.3 3.3 1.3 2.3 2.3 2.3 2.3
 4.4 2.3 3.3 2.3 +

+ + + + + + + + +

+ + + + + + + + +

1.2
+ + + + + + + + + +

1.2 2.2



III.3.d. PTERIDIUM AQUILINUM COMMUNITY

| | 1 | 2 | 3 | 4 | 5 | 6 |
|-----------------------|-----|-----|-----|-----|-----|-----|
| Releve number. | 66 | 66 | 66 | 66 | 66 | 66 |
| Exposition. | S | S | N | S | E | NE |
| Slope. | 4 | 4 | - | 3 | - | - |
| Phanerogam % cover. | 100 | 100 | 100 | 100 | 100 | 100 |
| Cryptogam % cover. | 20 | 30 | 5 | 2 | 50 | 50 |
| Releve area (sq. m.). | 10 | 10 | 10 | 10 | 10 | 10 |
| Number of species. | 6 | 6 | 9 | 8 | 8 | 11 |

Differentials of community

| | | | | | | |
|----------------------------|-----|-----|-----|-----|-----|-----|
| <i>Pteridium aquilinum</i> | 2.1 | + | + | 2.1 | 2.1 | 1.1 |
| <i>Pohlia nutans</i> | 3.3 | 2.3 | 1.3 | + | 3.3 | 3.3 |

Differentials of complex

| | | | | | | |
|-----------------------------|-----|-----|-----|-----|-----|-----|
| <i>Calluna vulgaris</i> | + | 5.5 | 3.3 | 5.5 | 5.5 | 5.5 |
| <i>Vaccinium myrtillus</i> | 4.4 | | 3.3 | 2.3 | 2.3 | 3.3 |
| <i>Deschampsia flexuosa</i> | 4.4 | 1.2 | 2.2 | 2.2 | 3.2 | 1.2 |
| <i>Hypnum cupressiforme</i> | | 2.3 | | | + | |
| <i>Nardus stricta</i> | | | | 2.2 | + | 2.2 |
| <i>Pleurozium schreberi</i> | | + | | | | |
| <i>Potentilla erecta</i> | | | | | (+) | + |

Companion species

| | | | | | | |
|-----------------------------|--|--|-----|---|--|-----|
| <i>Ulex europaeus</i> | | | 3.3 | | | r |
| <i>Empetrum nigrum</i> | | | 2.3 | | | 2.3 |
| <i>Campylopus flexuosus</i> | | | | + | | 2.2 |

Additional species: ¹₆₆, *Carex pilulifera* +;
³₆₆, *Agrostis stolonifera* 1.2, *Plagiothecium silvaticum* 1.3;
⁴₆₆, *Erica cinerea* +; ⁶₆₆, *Cladonia impexa* +, *Festuca rubra* +.

III.4.a. NARDUS STRICTA COMMUNITY

| Releve number. | 2 ₄₈ | 6 ₄₈ | 7 ₄₈ | 3 ₄₈ | 9 ₄₈ | 1 ₄₉ | 2 ₄₉ | 1 ₅₀ | 2 ₅₀ |
|-----------------------|-----------------|-----------------|-----------------|-----------------|-----------------|-----------------|-----------------|-----------------|-----------------|
| Exposition. | NW | NW | SW | NW | NW | NW | NW | N | NW |
| Slope. | 35 | 20 | 5 | 10 | 5 | 10 | - | - | 5 |
| Phanerogam % cover. | 95 | 100 | 100 | 100 | 100 | 100 | 100 | 100 | 100 |
| Cryptogam % cover. | 60 | 50 | 40 | 70 | 50 | 70 | 30 | 60 | 60 |
| Releve area (sq. m.). | 10 | 10 | 10 | 10 | 10 | 10 | 10 | 10 | 10 |
| Number of species. | 22 | 16 | 10 | 15 | 13 | 17 | 17 | 15 | 15 |

Differentials of variants

| | | | | | | | | | |
|--------------------------|-----|-----|-----|-----|-----|-----|-----|---|------|
| Carex binervis | + | 1.2 | 1.2 | | | | | | |
| Rhacomitrium lanuginosum | 1.3 | 2.3 | | | | | 3.3 | | |
| Erica tetralix | | | | 2.2 | 1.2 | | | | + .2 |
| Plagiothecium undulatum | | | | 1.2 | 1.2 | | | | |
| Sieglingia decumbens | | | 1.2 | | | 1.2 | + | + | 1.2 |
| Agrostis tenuis | | | | | | 1.2 | | | + |
| Cladonia arbuscula | 2.3 | | | | | | 1.2 | | 1.2 |

Differentials of community

| | | | | | | | | | |
|----------------|-----|-----|---|-----|-----|-----|-----|---|-----|
| Nardus stricta | 1.2 | 1.2 | + | 1.2 | 1.2 | 1.2 | 1.2 | + | 1.2 |
|----------------|-----|-----|---|-----|-----|-----|-----|---|-----|

Differentials of complex

| | | | | | | | | | |
|----------------------|-----|-----|-----|-----|-----|-----|-----|-----|-----|
| Calluna vulgaris | 5.5 | 4.4 | 4.4 | 4.4 | 5.5 | 4.4 | 5.5 | 5.5 | 5.5 |
| Vaccinium myrtillus | 4.4 | 3.3 | 5.5 | 3.3 | 2.3 | 3.3 | 2.3 | 1.2 | (+) |
| Erica cinerea | 1.2 | 3.3 | 1.2 | 2.2 | + | 3.3 | 3.3 | 1.1 | + |
| Hypnum ericetorum | 3.3 | 3.3 | 2.3 | 3.3 | 3.3 | 3.3 | 2.3 | 3.3 | 3.3 |
| Dicranum scoparium | 2.3 | 1.2 | 2.3 | | 1.2 | 1.3 | 1.2 | 1.3 | 1.2 |
| Pleurozium schreberi | 2.3 | 2.3 | | 3.3 | | 3.3 | 2.3 | 3.3 | 3.3 |
| Potentilla erecta | 1.2 | | + | 1.2 | + | 1.2 | | 1.2 | 1.2 |
| Deschampsia flexuosa | 4.4 | 3.3 | 5.5 | 3.3 | 2.3 | 3.3 | 2.3 | 1.2 | (+) |
| Parmelia physodes | | 1.2 | | | | | | | + |

Companion species

| | | | | | | | | | |
|------------------------|-----|-----|--|-----|-----|-----|---|-----|-----|
| Festuca rubra | | 1.2 | | | | | | | 1.2 |
| Galium saxatile | | | | 1.2 | | 1.2 | | | |
| Ptilidium ciliare | + | | | | | 1.3 | | | |
| Hylocomium splendens | | 1.2 | | 1.2 | | 1.2 | | | |
| Agrostis stolonifera | | + | | | 1.2 | | | | |
| Blechnum spicant | 1.2 | | | | | + | | | |
| Cladonia fimbriata | | | | | 1.2 | | | 1.2 | + |
| Rhytidiadelphus loreus | + | 1.2 | | | | | | | |
| Cetraria islandica | 1.2 | | | | | | + | | |
| Ulex gallii | | | | 2.2 | | | | | + |

Additional species: 2₄₈, Carex pilulifera +, Polytrichum formosum +, Sphagnum tenellum, 1.3, Diplophyllum albicans 1.2, Mnium hornum +, Lepidozia reptans 1.2; 3₄₈, Molinia caerulea 1.2, Thelypteris limbosperma +; 1₄₉, Polygala serpyllifolia +, Festuca ovina 1.2; 2₄₉, Cladonia squarrosa +, C. uncialis 1.2, C. coccifera +, Lophozia ventricosa 1.2; 1₅₀, Juncus squarrosus +.2, Sorbus aucuparia +; 6₄₈, Polytrichum juniperinum +; 9₄₈, P. commune +.

III.4.b. ERICA CINEREA COMMUNITY

| | | | | | | | | | | | | | | | | | | | | | | | | | | | |
|-----------------------|-----|-----|-----|-----|-----|-----|-----|-----|-----|-----|-----|-----|-----|-----|-----|-----|-----|-----|-----|-----|----|----|----|----|----|----|----|
| Releve number. | 4 | 5 | 8 | 70 | 8 | 70 | 9 | 70 | 10 | 70 | 3 | 70 | 7 | 66 | 66 | 8 | 66 | 4 | 48 | 23 | 40 | 21 | 40 | 22 | 40 | SE | SE |
| Exposition. | NE | NE | S | S | S | S | S | S | S | S | N | S | S | S | S | S | S | SW | SW | SE | SE | SE | SE | SE | SE | SE | SE |
| Slope. | 5 | 20 | 40 | 40 | 40 | 40 | 40 | 40 | 40 | 40 | 20 | 15 | 15 | 15 | 15 | 15 | 15 | 25 | 25 | 25 | 25 | 25 | 25 | 25 | 25 | 25 | 25 |
| Phanerogam % cover. | 100 | 100 | 100 | 100 | 100 | 100 | 100 | 100 | 100 | 100 | 100 | 100 | 100 | 100 | 100 | 100 | 100 | 100 | 100 | 100 | 85 | 90 | 80 | 80 | 80 | 80 | 80 |
| Cryptogam % cover. | 20 | 20 | 50 | 40 | 40 | 60 | 60 | 60 | 60 | 60 | 60 | 95 | 95 | 95 | 95 | 95 | 95 | 90 | 90 | 80 | 80 | 60 | 60 | 95 | 95 | 95 | 95 |
| Releve area (sq. m.). | 10 | 10 | 10 | 10 | 10 | 10 | 10 | 10 | 10 | 10 | 10 | 10 | 10 | 10 | 10 | 10 | 10 | 10 | 10 | 10 | 10 | 10 | 10 | 10 | 10 | 10 | 10 |
| Number of species. | 9 | 10 | 7 | 8 | 11 | 14 | 9 | 14 | 15 | 16 | 11 | 14 | 9 | 14 | 15 | 14 | 15 | 15 | 16 | 16 | 11 | 11 | 12 | 11 | 12 | 11 | 12 |

Differentials of variants

Pohlia nutans 1.2 2.3
 Cladonia fimbriata + 1.2
 Ulex europaeus + + +.2
 Pteridium aquilinum 3.1 1.1 1.1
 Agrostis tenuis + + +
 Polygala vulgaris + + +

Differentials of community and complex

Calluna vulgaris 5.5 5.5 3.3 4.4 5.5 5.5 5.5 5.5 5.5 5.5 4.4 2.2 3.3 4.4
 Vaccinium myrtillus + 1.1 4.4 3.3 4.4 4.4 4.4 2.3 1.3 3.3 4.4 1.2
 Erica cinerea 2.2 1.1 3.3 3.3 3.3 2.2 (+) 2.3 3.3 + 3.3 2.2
 Hypnum ericetorum 2.3 1.3 3.3 3.3 3.3 2.3 4.4 4.4 4.4
 Dicranum scoparium 1.2 + 3.3 2.3 2.3 3.3 2.2 2.2
 Pleurozium schreberi 1.1 1.2 3.3 3.3 2.3 2.3 3.3 4.4 4.4 3.3
 Potentilla erecta + 1.1 4.4 3.3 4.4 4.4 1.2 3.3 1.2 1.2 +
 Deschampsia flexuosa 2.3 1.2 + 2.1 3.3 + 1.2 2.3
 Parmelia physodes + + +

Companion species

Sieglingia decumbens + 1.2
 Cladonia impexa 1.2
 Leucobryum glaucum +.2
 Festuca rubra 1.2
 Cladonia arbuscula 1.2 + +

Additional species: ³70, Galium saxatile +.2, Luzula multiflora +; ⁴48, Rhacomitrium lanuginosum 2.3, Blechnum spicant +, Polygala serpyllifolia +, Hypericum pulchrum 1.2; ⁵70, Mylia taylori +; ⁴70, Cladonia gracilis 1.2; ⁸70, Dryopteris dilatata; ⁷66, Gymnocola inflata 2.3; ⁸66, Hypericum humifusum +, Teucrium scorodonia +, Dryopteris borrieri +, Lophozia floerkii 3.3; ²²40, Polytrichum piliferum 1.2; ²³40, Viola canina +.

III.5.a. CALLUNA VULGARIS COMMUNITY

(All M/R)

| Releve number. | 13a
6/105 | 13b
3/92 | 15
4-6/92 | 16
1-2/92 | 17 | 18+
20a |
|------------------------------------|--------------|-------------|--------------|--------------|-----|------------|
| <u>Differentials of variants</u> | | | | | | |
| <i>Listera cordata</i> | IV | III | | | | |
| <i>Plagiothecium undulatum</i> | V | IV | | | | I |
| <i>Sphagnum nemoreum</i> | V | V | | | | II |
| <i>Anastrepta orcadensis</i> | V | V | | | II | II |
| <i>Lepidozia pearsonii</i> | III | III | | | | I |
| <i>Blechnum spicant</i> | III | III | | | | V |
| <i>Chamaepericlymenum suecicum</i> | | V | | | | IV |
| <i>Eriophorum vaginetum</i> | | IV | | | | |
| <i>Rubus chamaemorus</i> | | V | | | | I |
| <i>Melampyrum pratense</i> | IV | II | | | | |
| <i>Solidago virgaurea</i> | IV | | | | III | |
| <i>Dicranodontium uncinatum</i> | V | II | | | | |
| <i>Dicranum majus</i> | IV | II | | | | III |
| <i>Anastrophyllum donianum</i> | IV | | | | | |
| <i>Bazzania tricrenata</i> | V | III | | | | |
| <i>B. pearsonii</i> | V | | | | | |
| <i>Diplophyllum albicans</i> | V | II | I | II | II | I |
| <i>Herberta hutchinsiae</i> | V | | | | | |
| <i>Jamsoniella carringtonii</i> | V | | | | | |
| <i>Mylia taylori</i> | V | II | | | | |
| <i>Mastigophora woodsii</i> | V | | | | | |
| <i>Pleurozia purpurea</i> | V | | I | | II | |
| <i>Scapania gracilis</i> | V | | | | | |
| <i>S. ornithopoides</i> | V | | | | | |
| <i>Cladonia coccifera</i> | II | | III | II | II | |
| <i>Scirpus caespitosus</i> | II | II | II | II | II | |
| <i>Cladonia pyxidata</i> | | III | II | II | III | |
| <i>C. rangiferina</i> | | II | I | IV | II | I |
| <i>Lycopodium selago</i> | | | IV | III | III | I |
| <i>Cornicularia aculeata</i> | | | IV | V | III | |
| <i>Cetraria islandica</i> | | | V | V | V | II |
| <i>Ochrolechia frigida</i> | | | IV | V | IV | |
| <i>Platysma glaucum</i> | | | IV | II | III | |
| <i>Sphaerophorous globosus</i> | | | IV | II | V | |
| <i>Lycopodium alpinum</i> | | | II | II | II | |
| <i>Alectoria nigricans</i> | | | III | III | III | |
| <i>Juniperus nana</i> | | | II | | II | |
| <i>Festuca ovina</i> | | | III | | II | |
| <i>Antennaria dioica</i> | | | III | | III | |
| <i>Loiseleuria procumbens</i> | | | V | II | | |
| <i>Arctous alpina</i> | | | IV | | | |
| <i>Galium saxatile</i> | | II | | | | V |
| <u>Differential of community</u> | | | | | | |
| <i>Calluna vulgaris</i> | V | V | V | V | V | III |
| <u>Differential of complex</u> | | | | | | |
| <i>Carex bigelowii</i> | IV | II | V | V | IV | III |
| <i>Empetrum hermaphroditum</i> | V | V | V | V | V | V |
| <i>Vaccinium myrtillus</i> | V | V | IV | III | III | V |
| <i>Deschampsia flexuosa</i> | V | V | IV | IV | IV | V |
| <i>Dicranum scoparium</i> | V | V | I | II | II | III |
| <i>Hylocomium splendens</i> | V | V | I | I | III | V |
| <i>Hypnum ericetorum</i> | V | III | I | II | IV | I |
| <i>Pleurozium schreberi</i> | V | V | II | II | III | V |
| <i>Rhacomitrium lanuginosum</i> | V | II | V | V | V | I |
| <i>Cladonia uncialis</i> | V | IV | V | V | V | II |
| <i>C. arbuscula</i> | III | IV | V | V | V | III |
| <i>C. gracilis</i> | III | II | III | IV | III | II |
| <i>Ptilidium ciliare</i> | III | III | I | III | III | IV |
| <i>Vaccinium vitis-idaea</i> | III | IV | III | II | III | III |
| <i>Rhytidiadelphus loreus</i> | V | V | | | II | V |
| <i>Potentilla erecta</i> | III | III | II | | II | III |
| <u>Companion species</u> | | | | | | |
| <i>Cladonia impexa</i> | III | II | | | | |
| <i>C. bellidiflora</i> | II | II | | III | | II |

| | | | | | | |
|---------------------------|-----|----|----|----|-----|-----|
| Sphagnum quinquefarium | III | II | | | | II |
| Ptilium crista-castrensis | II | | | | | I |
| Polytrichum alpinum | II | | I | II | | II |
| Luzula sylvatica | II | II | | | | II |
| Nardus stricta | II | II | I | | III | V |
| Agrostis canina S.L. | II | | I | | III | II |
| Vaccinium uliginosum | III | II | I | I | | II |
| Arctostaphylos uva-ursi | | | II | I | | |
| Carex panicea | | | I | I | | |
| C. pilulifera | | | I | II | II | I |
| Juncus trifidus | | | II | II | | |
| Cetraria nivalis | | | I | II | | |
| Luzula multiflora | | | I | | | |
| Alchemilla alpina | | | I | | III | III |
| Polytrichum piliferum | | | I | | II | |
| Dicranum fuscescens | | | I | | II | II |
| Alectoria ochroleuca | | | I | II | | |
| Lophozia floerkii | | II | I | | | |

(Additional species: see original tables).

III.5.b. CAREX BIGELOWII COMMUNITY

(All M/R)

Releve number.

19 20 21 22

Differentials of variants

| | | | | |
|------------------------|-----|-----|-----|-----|
| Alectoria nigricans | III | | | |
| Ochrolechia frigida | V | II | II | II |
| Alchemilla alpina | | V | I | I |
| Carex pilulifera | | IV | IV | II |
| Festuca ovina | I | V | V | II |
| Sphaerophorus globosus | | III | III | II |
| Agrostis canina S.L. | II | IV | I | I |
| Nardus stricta | II | IV | III | III |
| Polytrichum alpinum | II | IV | II | II |
| Galium saxatile | II | IV | I | I |
| Anastrepta orcadensis | III | IV | IV | IV |

Differentials of community

| | | | | |
|-----------------------|-----|-----|-----|-----|
| Cladonia bellidiflora | III | II | II | II |
| C. rangiferina | V | V | V | V |
| C. pyxidata | III | III | III | III |
| Cetraria islandica | I | I | I | I |
| Cornicularia aculeata | IV | V | V | V |

Differentials of complex

| | | | | |
|--------------------------|-----|-----|-----|-----|
| Carex bigelowii | V | V | V | V |
| Empetrum hermaphroditum | V | V | V | V |
| Vaccinium myrtillus | V | V | V | V |
| Deschampsia flexuosa | IV | IV | IV | IV |
| Dicranum scoparium | IV | III | III | III |
| Hylocomium splendens | V | IV | IV | II |
| Hypnum ericetorum | II | III | III | III |
| Pleurozium schreberi | V | V | V | V |
| Rhacomitrium lanuginosum | V | V | V | V |
| Cladonia uncialis | III | V | V | V |
| C. arbuscula | V | V | V | V |
| C. gracilis | II | V | V | IV |
| Ptilidium ciliare | II | V | IV | IV |
| Vaccinium vitis-idaea | V | III | IV | III |
| Rhytidiadelphus loreus | IV | III | V | II |
| Potentilla erecta | V | I | IV | I |

Companion species

| | | | | |
|--------------------------|----|----|----|-----|
| Sphagnum nemoreum | II | | | I |
| Diplophyllum albicans | II | | | II |
| Jamsoniella carringtonii | I | | | I |
| Cladonia coccifera | | I | | II |
| Vaccinium uliginosum | II | II | | II |
| Lephozia floerkii | II | | II | II |
| Cladonia squarrosa | I | I | | II |
| Lycopodium selago | I | I | | III |
| L. alpinum | I | I | | III |
| Agrostis tenuis | II | | | |
| Juncus trifidus | | | | III |
| Cetraria nivalis | | | | II |
| Dicranum fuscescens | I | | II | II |
| Cerania vermicularis | | | | I |

(For Additional Species
see original tables).

RAW TABLE OF HIGHLAND SCOTTISH DATA

INCORPORATED IN TABLE III.5.a. (Collected P.B. 1968).

| | 1 | 2 | 3 | 4 | 5 | 6 | 6 |
|---------------------------------|-----|-----|-----|-----|-----|-----|-----|
| Releve number. | 92 | 92 | 92 | 92 | 92 | 92 | 105 |
| Exposition. | NE | NE | N | SW | SW | W | NW |
| Slope. | 5 | 5 | - | 15 | 10 | 5 | 5 |
| Phanerogam % cover. | 100 | 100 | 90 | 90 | 90 | 30 | 30 |
| Cryptogam % cover. | 50 | 40 | 80 | 60 | 50 | 50 | 70 |
| Releve area (sq. m.). | 10 | 10 | 5 | 5 | 5 | 5 | 5 |
| Number of species. | 14 | 18 | 20 | 35 | 32 | 13 | 23 |
| | | | | | | | |
| <i>Calluna vulgaris</i> | 4.5 | 3.3 | 1.3 | 1.2 | + | | 3.3 |
| <i>Vaccinium vitis idaea</i> | | | + | + | 1.2 | | + |
| <i>Deschampsia flexuosa</i> | | 1.2 | 3.2 | | | +2 | |
| <i>Carex bigelowii</i> | 1.2 | + | + | +2 | 2.2 | 1.2 | |
| <i>Cladonia uncialis</i> | 1.3 | 2.3 | | + | | 1.3 | + |
| <i>C. arbuscula</i> | 3.3 | 2.3 | 1.3 | 3.3 | + | + | 1.3 |
| <i>Cornicularia aculeata</i> | 1.3 | + | | + | | | |
| <i>Cetraria islandica</i> | + | + | | 1.1 | + | + | |
| <i>Cladonia papillaria</i> | | + | | | | | |
| <i>Carex pilulifera</i> | +2 | 3.2 | | | | | |
| <i>Empetrum hermaphroditum</i> | +3 | + | 2.3 | +2 | + | + | + |
| <i>Lycopodium selago</i> | +2 | + | | + | | + | |
| <i>Rhacomitrium lanuginosum</i> | 1.3 | 1.3 | | 3.3 | 2.3 | 3.3 | 3.3 |
| <i>Diplophyllum albicans</i> | + | | | | | | + |
| <i>Cladonia chlorophea</i> | + | 1.3 | + | + | | | |
| <i>Vaccinium myrtillus</i> | + | 1.3 | + | 1.1 | + | 1.2 | |
| <i>Scirpus caespitosus</i> | | 1.2 | | | | | |
| <i>Dicranum scoparium</i> | | + | 1.3 | | | | |
| <i>Luzula multiflora</i> | | | | + | + | + | |
| <i>Hylocomium splendens</i> | | | 3.3 | 1.3 | 1.3 | | + |
| <i>Rhytidiadelphus loreus</i> | | | 1.3 | | | | + |
| <i>Mylia anomala</i> | | | + | | | | + |
| <i>Alchemilla alpina</i> | | | + | 1.2 | +2 | | |
| <i>Loisleuria procumbens</i> | | | | 2.3 | 3.3 | 2.3 | |
| <i>Thalictrum alpinum</i> | | | | 1.2 | + | | |
| <i>Campanula rotundifolia</i> | | | | + | 1.1 | | |
| <i>Juncus trifidus</i> | | | | +2 | | + | |
| <i>Salix herbacea</i> | | | | 1.1 | + | | |
| <i>Potentilla erecta</i> | | | | 1.1 | 2.2 | | 1.1 |
| <i>Thymus drucei</i> | | | | + | + | | |
| <i>Festuca vivipara</i> | | | | 1.2 | 2.2 | | |
| <i>Polyganum viviparum</i> | | | | + | 1.1 | | |
| <i>Antennaria dioica</i> | | | | + | 1.1 | | |
| <i>Carex pulicaris</i> | | | | 1.2 | 1.1 | | |
| <i>Deschampsia caespitosa</i> | | | | 1.2 | +2 | | |
| <i>Selaginella selaginoides</i> | | | | + | + | | |
| <i>Galium stemberi</i> | | | | + | + | | |
| <i>Hypnum ericetorum</i> | | | | | 2.3 | | + |

Additional species: ¹92, *Polytrichum juniperinum* +;
²92, *Carex binervis* 1.2, *Galium saxatile* +; ³92, *Rubus chamaemorus* 3.3, *Chamaepericlymenum suecicum* 1.1, *Listera*

cordata +, Polytrichum strictum +, Ptilidium ciliare +,
Nardus stricta +, Juncus squarrosus +; ⁴₉₂, Cladonia
squarrosa +, Lotus corniculatus +, Botrychium lunaria +,
Plagiothecium denticulatum +, Pleurozium schreberi 1.3;
⁵₉₂, Polygala serpyllifolia +, Cerastium holosteoides +,
Galium boreale +, Carex capillaris +, Rhytidium rugosum +,
Rhytidiadelphus triquetrus +, Agrostis tenuis +;
⁶₉₂, Dicranum starkei +; ⁶₁₀₅, Agrostis stolonifera +,
Bryum pseudotriquetrum +, Hieracium vulgatum S.L. +,
Pleurozia purpurea 3.3, Odontoschisma sphagni +,
Herberta hutchinsae 3.3, Hymenophyllum wilsonii +,
Lepidozia reptans +, Cephalozia connivens +, Orthothecium
rufescens +.

Additional species: ²⁵11, *Cladonia coccifera* 3.3; ⁴⁶11, *Cladonia squarrosa* +; ⁷14, *Deschampsia flexuosa* +; ⁶14, *Carex binervis* +; ⁴13, *Pohlia nutans* 2.3, *Polytrichum juniperinum* +, *P. piliferum* 1.2; ³12, *Pleurozium schreberi* 1.3, *Juncus effusus* +; ²⁵17, *Betula* spp. (seedlings) r; ³³9, *Erica cinerea* 1.2, *Ulex gallii* 3.3, *Vaccinium myrtillus* 1.3, *Calypogeia mulleriana* +, *Cephalozia bicuspidata* +; ⁷⁷9, *Ulex europaeus* 1.2, *Carex pilulifera* 1.2; ¹⁶22, *Odontoschisma sphangi* 2.3, *Aulacomnium palustre* +, *Cirsium dissectum* 1.2, *Sphagnum palustre* +, *S. recurvum* 1.2, *S. rubellum* 4.4.

VI.1.b. ZYGOGONIUM ERICETORUM COMMUNITY

| | | | | | | | |
|-----------------------|-----|----|-----|-----|-----|-----|-----|
| Releve number. | 4 | 6 | 16 | 18 | 19 | 20 | 14 |
| | 17 | 17 | 13 | 13 | 13 | 17 | 17 |
| Exposition. | S | S | S | SE | SE | E | E |
| Slope. | - | - | 10 | 15 | 15 | - | - |
| Phanerogam % cover. | 100 | 60 | 100 | 100 | 100 | 100 | 100 |
| Cryptogam % cover. | 10 | 60 | 60 | 70 | - | 40 | 15 |
| Releve area (sq. m.). | 10 | 10 | 10 | 10 | 10 | 10 | 10 |
| Number of species. | 11 | 9 | 9 | 7 | 9 | 6 | 7 |

Differentials of variants

| | | | | | | | |
|--------------------------------|-----|-----|-----|-----|---|-----|-----|
| <i>Erica cinerea</i> | 1.1 | 1.1 | 1.2 | | | | |
| <i>Juncus squarrosus</i> | 1.2 | 2.2 | | | | | + |
| <i>Cladonia fimbriata</i> | + | 1.3 | | | | + | |
| <i>C. floerkeana</i> | 1.3 | 1.3 | | | | + | |
| <i>Pteridium aquilinum</i> | | | 2.1 | 1.1 | + | | |
| <i>Polytrichum juniperinum</i> | + | | | | | 3.3 | 1.3 |

Differentials of community and complex

| | | | | | | | |
|----------------------------|-----|-----|-----|-----|-----|-----|-----|
| <i>Erica tetralix</i> | | | + | + | + | 1.2 | 1.2 |
| <i>Molinia caerulea</i> | 1.2 | 1.2 | + | | | 3.2 | |
| <i>Zygonium ericetorum</i> | 4.4 | | | 2.3 | | 2.3 | 1.3 |
| <i>Calluna vulgaris</i> | 5.5 | 4.4 | 5.5 | 5.5 | 5.5 | 5.5 | 5.5 |

Companion species

| | | | | | | | |
|--|---|---|-----|---|---|-----|--|
| <i>Dicranum scoparium</i> | | | 1.2 | | | | |
| <i>Pinus sylvestris</i>
(seedlings) | + | + | | + | + | | |
| <i>Betula</i> spp. (seedlings) | | | + | + | | 2.1 | |

Additional species: ⁴₁₇, *Gymnocolea inflata* 1.2,
Deschampsia flexuosa +; ⁶₁₇, *Sorbus aucuparia* +,
Agrostis tenuis +; ¹⁶₁₃, *Hypnum ericetorum* 3.3, *Leucobryum*
glaucum 2.2; ¹⁸₁₃, *Teucrium scorodonia* +; ¹⁹₁₃, *Campylopus*
flexuosus +, *Cladonia gracilis* +, *C. impexa* +;
¹⁴₁₇, *Cladonia furcata* 3.3, *Campylopus brevopilus* 2.3.

IV.2.a. DICRANUM SCOPARIUM COMMUNITY

| | | | | | | |
|-----------------------|----|----|----|----|----|----|
| Releve number. | 15 | 17 | 16 | 2 | 1 | 6 |
| | 43 | 43 | 43 | 40 | 40 | 40 |
| Exposition. | W | W | W | NE | NE | SE |
| Slope. | - | - | - | - | - | 2 |
| Phanerogam % cover. | 95 | 90 | 95 | 95 | 95 | 95 |
| Cryptogam % cover. | 70 | 70 | 70 | 70 | 90 | 50 |
| Releve area (sq. m.). | 10 | 10 | 10 | 10 | 10 | 10 |
| Number of species. | 15 | 17 | 17 | 14 | 12 | 11 |

Differentials of variants

| | | | | | | |
|--------------------------|-----|-----|-----|-----|-----|-----|
| Cladonia arbuscula | 2.3 | 3.3 | 3.3 | | | |
| Juncus squarrosus | 2.2 | 2.2 | 2.2 | | | |
| Nardus stricta | 1.2 | + | 1.2 | | | |
| Carex panicea | + | + | 1.2 | | | |
| Potentilla erecta | + | + | 1.2 | | | |
| Ulex gallii | 1.2 | | 1.2 | | | |
| Sphagnum compactum | 1.2 | 1.2 | | | | |
| Rhacomitrium lanuginosum | + | 1.2 | | | | |
| Cladonia uncialis | | 1.2 | + | | | |
| Eriophorum angustifolium | | | | 2.2 | 1.2 | + |
| Calyptogeia trichomanes | | | | 2.2 | 1.2 | + |
| Hypnum ericetorum | | | | | 2.2 | 4.4 |

Differentials of community

| | | | | | | |
|-----------------------|-----|-----|-----|-----|-----|-----|
| Dicranum scoparium | 3.3 | 2.2 | 3.3 | 2.2 | + | 2.2 |
| Parmelia physodes | | + | + | 1.2 | + | |
| Pleurozium schreberi | 3.3 | | 3.3 | | 2.2 | 2.2 |
| Aulaucornium palustre | | | 1.2 | 3.3 | 2.3 | |
| Sphagnum tenellum | | 1.2 | 1.2 | 3.3 | 3.3 | |
| Cladonia impexa | + | + | | 1.2 | + | |

Differentials of complex

| | | | | | | |
|------------------|-----|-----|-----|-----|-----|-----|
| Calluna vulgaris | 4.4 | 3.3 | 4.4 | 4.4 | 4.4 | 5.5 |
| Molinia caerulea | 3.3 | 2.3 | 3.3 | + | 1.2 | 1.2 |
| Erica tetralix | 1.2 | 2.2 | 1.2 | 3.3 | 3.3 | 4.4 |

Additional species: ¹⁷₄₃, Carex nigra 3.3, Cladonia gracilis 3.3; ¹⁵₄₃, Rhytidiadelphus loreus +; ¹⁶₄₃, Vaccinium myrtillus +; ²₄₀, Sphagnum recurvum 3.3; ⁷₄₀, Eriophorum vaginatum 1.2; ⁶₄₀, Cladonia crispata 3.3, Pohlia nutans +.

IV.2.b. SCIRPUS CAESPITOSUS COMMUNITY

| Releve number. | 1 | 2 | 3 | 4 | 6 | 7 | 8 | 9 | 38 | 39 |
|-----------------------|------|------|------|------|-------|-------|-------|-------|-----|-----|
| Exposition. | 62 E | 62 E | 62 E | 62 E | 62 SE | 62 SE | 62 SE | 62 SE | 3 W | 3 N |
| Slope. | - | - | - | - | 5 | - | - | - | - | 2 |
| Phanerogam % cover. | 80 | 80 | 100 | 100 | 100 | 95 | 100 | 100 | 85 | 90 |
| Cryptogam % cover. | 50 | 75 | 50 | 50 | 15 | 15 | 50 | 50 | 80 | 80 |
| Releve area (sq. m.). | 10 | 10 | 10 | 10 | 10 | 10 | 10 | 10 | 10 | 10 |
| Number of species. | 10 | 9 | 9 | 7 | 12 | 10 | 19 | 6 | 13 | 10 |

Differentials of variants

| | | | | | | | | | | |
|-----------------------------------|------|-----|-----|-----|-----|-----|-----|-----|-----|-----|
| <i>Pohlia nutans</i> | | | 1.2 | 3.3 | 2.3 | 2.2 | 3.3 | | | |
| <i>Cladonia chlorophaea</i> | | | | 1.2 | 1.2 | 1.2 | + | | | |
| <i>Gymnocolea inflata</i> | 3.3 | 4.4 | 3.3 | | | 2.3 | | | | |
| <i>Salix repens</i> | 2.2 | | | | + | 1.1 | 1.2 | | | |
| <i>Carex nigra</i> | | 1.2 | 1.2 | | 1.2 | 1.2 | 1.2 | 1.2 | | |
| <i>Juncus squarrosus</i> | + .2 | 2.2 | 1.2 | | | | | | | |
| <i>Betula</i> spp.
(seedlings) | | | | | | | + | + | | |
| <i>Hypnum ericetorum</i> | | | | | | 2.3 | 3.3 | 2.3 | 2.3 | 1.2 |
| <i>Cladonia impexa</i> | | | | | | | | | 4.4 | 4.4 |
| <i>Calypogeia mülleriana</i> | | | | | | | | | 2.3 | 1.2 |

Differentials of community

| | | | | | | | | | | |
|----------------------------|-----|-----|-----|--|---|--|-----|--|-----|-----|
| <i>Scirpus caespitosus</i> | 2.2 | | 3.2 | | | | 3.2 | | 3.2 | 2.2 |
| <i>Zygonium ericetorum</i> | 3.3 | 2.3 | 2.3 | | + | | | | 1.3 | 2.3 |

Differentials of complex

| | | | | | | | | | | |
|-------------------------|-----|-----|-----|-----|-----|-----|-----|-----|-----|-----|
| <i>Calluna vulgaris</i> | 3.3 | 4.4 | 4.4 | 5.5 | 5.5 | 4.4 | 3.2 | 5.5 | 2.2 | 4.4 |
| <i>Molinia caerulea</i> | 1.2 | 1.2 | 1.2 | + | | 2.2 | 2.2 | + | 1.2 | 1.2 |
| <i>Erica tetralix</i> | 3.3 | 2.2 | 3.2 | + | 1.1 | 3.2 | 4.2 | 1.1 | 3.3 | 3.3 |

Companion species

| | | | | | | | | | | |
|-------------------------------|---|-----|--|---|--|--|-----|-----|---|---|
| <i>Deschampsia flexuosa</i> | | | | + | | | 1.2 | | | |
| <i>Drosera rotundifolia</i> | + | 1.1 | | | | | | | | |
| <i>Cephalozia bicuspidata</i> | | + | | | | | + | | | + |
| <i>Cladonia crispata</i> | | | | | | | | 1.2 | + | |

Additional species: ¹₆₂, *Juncus articulatus* 2.2; ⁴₆₂, *Nardus stricta* 1.2; ⁶₆₂, *Phragmites australis* 1.1, *Mylia taylori* +, *Ulex europaeus* +, *Cladonia floerkeana* 1.2, *C. fimbriata* 1.2; ⁸₆₂, *Potentilla erecta* 1.2, *Calypogeia trichomares* 1.2, *Festuca rubra* +.2, *Pedicularis sylvatica* +, *Luzula multiflora* +, *Anthoxanthum odoratum* +, *Quercus* spp. (seedlings) +; ³⁸₃, *Rhacomitrium lanuginosum* +, *Cladonia uncialis* 2.3, *Dicranum scoparium* +, *Erica cinerea* +, *Campylopus flexuosus* +; ³⁹₃, *Campylopus atrovirens* +.2.

IV.2.c. DESCHAMPSIA FLEXUOSA COMMUNITY

| | | | | | | | | | | |
|-----------------------|-----|-----|-----|-----|-----|-----|-----|-----|-----|-----|
| Releve number. | 10 | 4 | 3 | 1 | 6 | 2 | 2 | 4 | 5 | 3 |
| | 57 | 39 | 39 | 57 | 39 | 39 | 57 | 57 | 39 | 57 |
| Exposition. | SW | W | S | SW | NE | N | E | E | W | W |
| Slope. | 10 | 5 | - | 5 | 15 | 5 | - | 2 | 5 | - |
| Phanerogam % cover. | 100 | 100 | 100 | 100 | 100 | 100 | 100 | 100 | 100 | 100 |
| Cryptogam % cover. | 40 | 30 | 10 | 10 | 60 | 50 | 25 | 70 | 15 | 10 |
| Releve area (sq. m.). | 10 | 10 | 10 | 10 | 10 | 10 | 10 | 10 | 10 | 10 |
| Number of species. | 11 | 9 | 12 | 8 | 9 | 16 | 14 | 17 | 13 | 11 |

Differentials of variants

| | | | | | | | | | | |
|----------------------|---|--|--|--|-----|-----|------|------|-----|-----|
| Eriophorum vaginatum | + | | | | | + | 2.2 | + | 2.2 | 1.1 |
| Dicranum scoparium | | | | | 2.3 | 3.3 | + .2 | + .2 | + | + |
| Vaccinium myrtillus | | | | | | 2.3 | + | + | | |
| Empetrum nigrum | | | | | | | + | + | | |

Differentials of community

| | | | | | | | | | | |
|--------------------------|-----|-----|-----|-----|------|-----|------|-----|-----|-----|
| Juncus squarrosus | 1.2 | 1.2 | (+) | + | + | + | | + | 1.2 | + |
| Eriophorum angustifolium | | + | + | | | 3.3 | + | 1.1 | + | 2.1 |
| Hypnum ericetorum | | | | | + .3 | | | 2.3 | 4.5 | |
| Deschampsia flexuosa | + | | + | 2.2 | | + | + | + | + | + |
| Pohlia nutans | | | 2.3 | 2.3 | 1.3 | 2.3 | + | + | + | + |
| Scirpus caespitosus | 1.2 | 1.2 | 3.3 | | | | (+) | 1.2 | 3.2 | + |
| Carex nigra | 2.2 | | r | + | | | 2.2 | + | | |
| Cephalozia bicuspidata | 3.3 | | | 2.3 | 3.4 | + | + .2 | 4.4 | | |

Differentials of complex

| | | | | | | | | | | |
|------------------|-----|-----|-----|-----|-----|------|-----|-----|-----|---------|
| Calluna vulgaris | 5.5 | 4.4 | 2.3 | 5.5 | 4.4 | 5.5 | 4.4 | 5.5 | 2.2 | 5.5 |
| Molinia caerulea | + | 3.2 | 3.3 | + | 2.2 | + .2 | | 2.2 | 2.2 | + |
| Erica tetralix | 2.2 | 2.3 | 2.2 | | | | | + | + | 3.2 (+) |

Companion species

| | | | | | | | | | | |
|------------------------|---|---|---|--|-----|-----|--|--|---|---|
| Nardus stricta | + | | | | | | | | + | |
| Dicranella heteromalla | | + | + | | | | | | | + |
| Cephalozia media | | | | | 1.2 | 1.2 | | | | |

Additional species: ¹⁰₅₇, Calypogeia trichomares +; ³₃₉, Potentilla erecta +, Dicranella varia +; ²₃₉, Betula spp. (seedlings) +, Festuca rubra +, Quercus spp. (seedlings) +, Vaccinium vitis-idaea 2.2, Pinus sylvestris seedlings +; ⁵₃₉, Mylia taylori +, Sphagnum recurvum 1.3; ⁶₃₉, Lophocolea bidentata +; ⁴₃₉, Cladonia pyxidata +, Pteridium aquilinum +; ⁴₅₇, Agrostis stolonifera +; ²₅₇, Sphagnum rubellum +.

IV.2.d. ULEX GALLII COMMUNITY

| | | | | | | | |
|-----------------------|-----|-----|-----|-----|-----|-----|-----|
| Releve number. | 170 | 171 | 172 | 173 | 175 | 176 | 177 |
| | 1 | 1 | 1 | 1 | 1 | 1 | 1 |
| Exposition. | W | W | S | S | NW | S | S |
| Slope. | - | - | 2 | 2 | - | 5 | 5 |
| Phanerogam % cover. | 100 | 100 | 100 | 90 | 100 | 100 | 100 |
| Cryptogam % cover. | - | - | 10 | 15 | 10 | 50 | 60 |
| Releve area (sq. m.). | 5 | 5 | 10 | 10 | 10 | 10 | 10 |
| Number of species. | 12 | 10 | 12 | 10 | 6 | 14 | 16 |

Differentials of variants

| | | | | | | | |
|-------------------------|-----|-----|-----|------|-----|-----|-----|
| Holcus lanatus | 1.2 | 1.2 | + | | | | |
| Festuca ovina | 2.2 | | | 1.2 | | | |
| Siglingia decumbens | | 1.2 | 1.2 | 1.1 | | | |
| Agrostis canina | 1.2 | 1.2 | | | | | |
| Hydrocotyle vulgaris | 2.2 | 2.2 | | | | | |
| Ulex europaeus | + | 4.4 | | | | | |
| Erica cinerea | | | + | + | | | |
| Zygonium ericetorum | | | 1.3 | + .3 | | | |
| Cladonia floerkeana | | | + | 1.2 | | | |
| Schoenus nigricans | | | | | 3.2 | + | 3.3 |
| Carex panicea | | | | | | + | 1.1 |
| Pedicularis sylvatica | | | + | | | 2.1 | 1.2 |
| Dactylorhiza ericetorum | | | | | | + | + |
| Narthecium ossifragum | | | | | | 3.3 | 1.1 |
| Sphagnum quinquefarium | | | | | | 3.3 | 3.3 |
| Succisa pratensis | | | | | | 1.1 | + |

Differentials of community

| | | | | | | | |
|-------------------|-----|---|-----|-----|-----|-----|-----|
| Ulex gallii | 1.2 | + | 3.3 | 3.3 | 3.3 | 1.2 | |
| Potentilla erecta | | + | + | 1.1 | 1.2 | 1.1 | 1.2 |

Differentials of complex

| | | | | | | | |
|------------------|-----|-----|-----|-----|-----|-----|-----|
| Calluna vulgaris | 2.2 | 1.2 | 3.3 | 3.3 | | 1.1 | |
| Erica tetralix | 2.2 | 2.3 | 3.3 | 2.2 | 3.3 | 3.3 | 1.1 |
| Molinia caerulea | | | (+) | | 2.2 | 3.3 | 4.4 |

Companion species

| | | | | | | | |
|-------------------|--|--|--|--|-----|-----|--|
| Hypnum ericetorum | | | | | 1.3 | 1.3 | |
|-------------------|--|--|--|--|-----|-----|--|

Additional species: 170₁, Phragmites communis 1.1,
 Dactylis glomerata +, Juncus effusus +, Ranunculus repens +;
 171₁, Hypochoeris radicata +, Agrostis tenuis 1.2;
 172₁, Cladonia furcata 1.3; 173₁, Carex binervis +.2,
 Campylopus cf. brevipilus 2.3; 176₁, Agrostis setacea 1.2;
 177₁, Calypogeia mulleriana 2.3, Luzula multiflora +,
 Anagallis tenella +, Sphagnum contortum 2.3, Hypericum
 elodes +, Sphagnum palustre 2.3.

APPENDIX VI

Releve numbers and localities from the
tables in Appendix V.

| <u>Releve number</u> | <u>Heath type</u> | <u>Locality</u> | <u>Grid Reference</u> | <u>Altitude (m)</u> |
|------------------------------------|-------------------|-----------------------|-----------------------|---------------------|
| 1S-3S | I | Essex Hill, Alderney. | 3S9/88 | 15 |
| 11 ₁ -14 ₁ | I | Bedrathan Steps. | 10/849695 | 60 |
| 16 ₁ -22 ₁ | I | Cape Cornwall. | 10/350319 | 60 |
| 23 ₁ -37 ₁ | I | Chapel Porth. | 10/697496 | 15 |
| 38 ₁ -42 ₁ | I | Kynance Cove. | 10/688131 | 22 |
| 44 ₁ -47 ₁ | I | Lands End. | 10/345257 | 70 |
| 48 ₁ -51 ₁ | I | Pendeen Lighthouse. | 10/379359 | 60 |
| 52 ₁ -56 ₁ | I | Pentire Point. | 10/7861 | 30 |
| 57 ₁ -63 ₁ | I | Perran Porth. | 10/746536 | 30 |
| 66 ₁ | I | Porthgwarro. | 10/365220 | 46 |
| 69 ₁ -70 ₁ | I | " | " | " |
| 71 ₁ -76 ₁ | I | Porth Towan. | 10/691483 | 15 |
| 77 ₁ -89 ₁ | I | St. Agnes. | 10/7259 | 15 |
| 91 ₁ -95 ₁ | I | " | " | " |
| 96 ₁ -98 ₁ | I | Zennor Head. | 10/447393 | 60 |
| 100 ₁ -101 ₁ | I | Ponson Joppa. | 10/698170 | 85 |

| | | | | |
|------------------------------------|----|-------------------|-----------|-----|
| 102 ₁ -108 ₁ | I | Lizard Downs. | 10/688133 | 60 |
| 109 ₁ -112 ₁ | I | Crousa Downs. | 10/764790 | 80 |
| 115 ₁ -122 ₁ | I | Goonhilly Downs. | 10/723183 | 80 |
| 124 ₁ -125 ₁ | I | Kynance Cove. | 10/688137 | 25 |
| 126 ₁ | I | St. Elena. | 10/699159 | 85 |
| 127 ₁ -128 ₁ | I | Rejerrah. | 10/798559 | 55 |
| 129 ₁ -130 ₁ | I | Nine Maidens. | 10/445367 | 180 |
| 131 ₁ -132 ₁ | I | Trendine. | 10/478392 | 150 |
| 133 ₁ | I | Trewey. | 10/460365 | 200 |
| 134 ₁ -136 ₁ | I | Wheal Buller. | 10/404319 | 196 |
| 137 ₁ -138 ₁ | I | Wheal Ellen. | 10/701469 | 60 |
| 139 ₁ -140 ₁ | I | St. Agnes Beacon. | 10/710504 | 180 |
| 141 ₁ -142 ₁ | I | Carharrack. | 10/748414 | 105 |
| 144 ₁ -148 ₁ | I | Penhallow moor. | 10/833548 | 46 |
| 149 ₁ -153 ₁ | I | Newlyn East. | 10/8354 | 60 |
| 155 ₁ -162 ₁ | I | Carrine Common. | 10/7943 | 60 |
| 163 ₁ -164 ₁ | II | Caharrack. | 10/748414 | 110 |

| | | | | |
|--|----|--------------------|-----------|-----|
| 165 ₁ -166 ₁ | II | Mt. Hawke. | 10/703469 | 46 |
| 167 ₁ -168 ₁ | II | Newlyn East. | 10/836550 | 60 |
| 169 ₁ -174 ₁ | IV | Lands End. | 10/342252 | 46 |
| 175 ₁ | IV | Rejerrah. | 10/798559 | 55 |
| 176 ₁ -177 ₁ | IV | Rosenanon Moor. | 10/9769 | 60 |
| 10 ₂ -12 ₂ , 15 ₂ | I | Widemouth Cliffs. | 20/1901 | 15 |
| 13 ₂ -14 ₂ | I | " " | 20/1899 | 10 |
| 16 ₂ -21 ₂ | I | Tintagel Castle. | 20/048885 | 15 |
| 23 ₂ -27 ₂ | I | Pentire Point. | 10/930808 | 15 |
| 28 ₂ -29 ₂ | I | Carpella. | 10/970540 | 225 |
| 32 ₂ -33 ₂ | I | Hensbarrow Downs. | 10/993578 | 270 |
| 3 ₃ -5 ₃ | I | Gittisham Hill. | 30/148974 | 240 |
| 6 ₃ -7 ₃ | I | Blackdown. | 31/098068 | 270 |
| 8 ₃ -13 ₃ | I | Hawkerland Common. | 30/058897 | 135 |
| 14 ₃ -17 ₃ | I | Lympstone Common. | 30/041852 | 90 |
| 22 ₃ -23 ₃ | I | Trinity Hill. | 30/309959 | 200 |
| 28 ₃ | I | Woodbury Common. | 30/031874 | 165 |

| | | | | |
|-----------|----|----------------------|-----------|-----|
| 29 3-32 3 | I | Warren House Inn. | 20/677806 | 390 |
| 33 3-37 3 | II | Cadorer Bridge. | 20/563643 | 230 |
| 38 3-39 3 | IV | Great Haldon. | 20/897843 | 240 |
| 40 3-41 3 | I | Devils Elbow. | 20/584731 | 405 |
| 42 3 | | Soussons Down. | 20/675803 | 405 |
| 43 3 | I | Great Haldon. | 20/891843 | 240 |
| 44 3-45 3 | I | Hayne Down. | 20/740802 | 315 |
| 46 3-47 3 | I | Black Hill. | 20/766790 | 330 |
| 48 3-49 3 | I | Buckland Common. | 20/738739 | 360 |
| 50 3-54 3 | I | Heathfield. | 20/825765 | 20 |
| 55 3-57 3 | I | Haldon. | 20/918758 | 235 |
| 10 4-12 4 | I | Hartland Quay. | 21/2225 | 30 |
| 13 4-14 4 | I | Brendon Common. | 21/7646 | 360 |
| 15 4 | I | Bursldon Moor. | 21/2227 | 225 |
| 2 5-9 5 | I | Crowcombe Park Gate. | 31/1538 | 330 |
| 11 5-16 5 | I | Staple Hill. | 31/231160 | 285 |
| 20 5 | I | Crowcombe Park Gate. | 31/152380 | 330 |

| | | | | |
|---------|----|--------------------|-----------|-----|
| 215 | I | Codsand Moor. | 21/8641 | 450 |
| 245-275 | I | " " | " | " |
| 285 | I | Hawkcombe Head. | 21/845457 | 405 |
| 295-315 | I | Lucott Cross. | 21/848428 | 435 |
| 325 | I | South Hill. | 21/898316 | |
| 355-385 | I | Winsford Hill. | 21/8734 | 405 |
| 16-46 | I | Blackdown. | 31/483575 | 300 |
| 66-106 | I | Priddy. | 31/5451 | 250 |
| 156-176 | I | Crook Peak. | 31/385560 | 150 |
| 186 | I | Velvet Bottom. | 31/505555 | 240 |
| 196 | II | Wrington Warren. | 31/476652 | 135 |
| 216 | I | Burrington Coombe. | 31/482582 | 180 |
| 256 | II | " " | " | " |
| 19 | I | Abbotsbury Castle. | 30/557865 | 195 |
| 29 | II | Arne Peninsula. | 30/913890 | 15 |
| 69-89 | II | " " | 30/970887 | 20 |
| 119-139 | I | Blackdown. | 30/607877 | 210 |
| 149 | II | Blacknoll. | 30/803861 | 15 |

| | | | | |
|----------|-------|------------------|-----------|-----|
| 159-169 | II | Gallows Hill. | 30/842910 | 75 |
| 179 | IV | Galton Heath. | 30/786855 | 30 |
| 209 | II | Grip Heath. | 30/983882 | 8 |
| 219-319 | II, I | Hartland Moor. | 30/961855 | 10 |
| 329-339 | IV/I | Lamberts Castle. | 30/369987 | 230 |
| 349 | IV | Morden Bog. | 30/913920 | 8 |
| 359-379 | II | Morden Heath. | 30/914923 | 15 |
| 389-399 | II | Moreton Heath. | 30/792878 | 46 |
| 409-459 | I | Ridge. | 30/931860 | 5 |
| 479-579 | I, II | Slepe Heath. | 30/956865 | 5 |
| 599-609 | II | Studland Heath. | 40/037858 | 5 |
| 629-639 | II | " | 40/034864 | 6 |
| 649-669 | II | Studland Heath. | 40/025845 | 10 |
| 679 | IV | Warmwell Heath. | 30/753869 | 46 |
| 689-709 | II | " | " | " |
| 111-211 | I | Beaulieu Heath. | 41/406049 | 38 |
| 311-411 | II | " | 41/418032 | 33 |
| 511-1011 | I | " | 41/253998 | 33 |

| | | | | |
|------------------------------------|-------|------------------------|-----------|-----|
| 12 ₁₁ -13 ₁₁ | II | Beaulieu Heath. | 41/418037 | 33 |
| 14 ₁₁ | I | " " | 41/406049 | 38 |
| 15 ₁₁ -18 ₁₁ | II | " " | 41/305050 | 38 |
| 19 ₁₁ -21 ₁₁ | IV | Beaulieu Road Station. | 41/358058 | 15 |
| 22 ₁₁ -24 ₁₁ | IV | Broomy Walk. | 41/222108 | 110 |
| 25 ₁₁ -27 ₁₁ | IV | Deadman Hill. | 41/193159 | 75 |
| 28 ₁₁ -33 ₁₁ | II | " " | 41/194164 | 90 |
| 34 ₁₁ -37 ₁₁ | IV | " " | 41/193160 | 75 |
| 38 ₁₁ -40 ₁₁ | II | Denny Lodge Walk. | 41/383067 | 12 |
| 41 ₁₁ -42 ₁₁ | II | Hinchelsea Moor. | 41/268017 | 30 |
| 43 ₁₁ -46 ₁₁ | IV, I | Holt Heath. | 41/050046 | 55 |
| 47 ₁₁ | II | Matley Wood. | 41/330075 | 37 |
| 48 ₁₁ | II | Yew Tree Heath. | 41/370062 | 24 |
| 49 ₁₁ | II | Matley Wood. | 41/333076 | 30 |
| 55 ₁₁ | II | Stagbury Hill. | 41/286160 | 60 |
| 57 ₁₁ -59 ₁₁ | II | Vales Moor. | 41/195040 | 60 |
| 60 ₁₁ -61 ₁₁ | IV | Yew Tree Heath. | 41/370062 | 24 |
| 64 ₁₁ | III | " " | " " | " |

| | | | | |
|-------------------------|--------|----------------------|-----------|-----|
| 1 ¹²⁻⁴ 12 | II, IV | Shorth Heath Common. | 41/776369 | 60 |
| 5 ¹² | II | Ludshott Common. | 41/851358 | 165 |
| 6 ¹²⁻⁷ 12 | II, IV | Kingsley Common. | 41/794383 | 75 |
| 1 ¹³ | II | Marley Common. | 41/885312 | 180 |
| 2 ¹³ | II | Linchmere Common. | 41/865315 | 135 |
| 3 ¹³⁻⁶ 13 | II, IV | Ipping Common. | 41/850220 | 55 |
| 7 ¹³⁻¹⁰ 13 | II | Wolbeding Common. | 41/866256 | 120 |
| 11 ^{13, 13} 13 | II | Hesworth Common. | 51/006193 | 30 |
| 14 ¹³⁻¹⁶ 13 | II, IV | Ambersham Common. | 41/914194 | 60 |
| 18 ¹³⁻¹⁹ 13 | IV | " " | " | " |
| 1 ¹⁴⁻² 14 | II, IV | Ashdown Forest. | 51/469304 | 195 |
| 3 ¹⁴ | II | " " | 51/480319 | 210 |
| 4 ¹⁴ | II | " " | 51/472309 | 210 |
| 5 ¹⁴⁻⁶ 14 | II, IV | " " | 51/461282 | 135 |
| 7 ¹⁴⁻⁸ 14 | II | " " | 51/405330 | 150 |
| 9 ¹⁴ | II | " " | 51/438324 | 180 |
| 10 ¹⁴ | II | " " | 51/466313 | 190 |

| | | | | |
|-----------------------------------|--------|------------------------|-----------|-----|
| 11 ₁₄ | II | Ashdown Forest. | 51/469324 | 180 |
| 1 ₁₇₋₃ ₁₇ | II | Bagshot Heath. | 41/910590 | 120 |
| 4 ₁₇ | IV, I | White Hill. | 41/967607 | 120 |
| 6 ₁₇₋₈ ₁₇ | II, IV | " " | " | " |
| 9 ₁₇₋₁₀ ₁₇ | II | Albury Bottom. | 41/976648 | 60 |
| 11 ₁₇₋₁₂ ₁₇ | II | Pattenham Common. | 41/965455 | 60 |
| 13 ₁₇ | II | Frensham Common. | 41/853406 | 75 |
| 14 ₁₇₋₁₆ ₁₇ | II, IV | Ockley Common. | 41/914415 | 60 |
| 17 ₁₇₋₁₈ ₁₇ | II | Hindhead Common. | 41/895375 | 215 |
| 19 ₁₇ | II | Frensham Common. | 41/852403 | 75 |
| 20 ₁₇₋₂₁ ₁₇ | IV | Horsell Birch. | 41/986597 | 25 |
| 22 ₁₇₋₂₃ ₁₇ | | Cholsham Common. | 41/965655 | 50 |
| 24 ₁₇ | | Westend Common. | 51/330559 | 180 |
| 25 ₁₇ | IV | Chobham Common. | 41/965655 | 60 |
| 1 ₂₂ | | Burghfield Common. | 41/652662 | 90 |
| 5 ₂₂₋₇ ₂₂ | II | Greenham Common. | 41/497644 | 120 |
| 8 ₂₂₋₁₀ ₂₂ | II | Lower Common, Newbury. | 41/560493 | 120 |
| 11 ₂₂₋₁₃ ₂₂ | II | Owlsmoor. | 41/8462 | 75 |

| | | | | |
|-------------------------------------|--------|------------------------|-----------|-----|
| 14 ²² , 16 ²² | II, IV | Snelsmore Common. | 41/4670 | 135 |
| 17 ²² -18 ²² | II | Upper Common, Newbury. | 41/533693 | 90 |
| 19 ²² -20 ²² | II | Wellington College. | 41/840632 | 90 |
| 1 ²⁴ | II | Burnham Beeches. | 41/958857 | 60 |
| 3 ²⁴ -4 ²⁴ | II | " " | " | " |
| 5 ²⁴ -6 ²⁴ | II | Farnham Royal. | 41/948844 | 55 |
| 7 ²⁴ -10 ²⁴ | II | Hodgemoor Wood. | 41/970933 | 120 |
| 11 ²⁴ -12 ²⁴ | II | Lodge Wood. | 42/865015 | 190 |
| 1 ²⁵ -6 ²⁵ | II | Sutton Heath. | 62/3247 | 20 |
| 7 ²⁵ -11 ²⁵ | II | Westleton Heath. | 62/4669 | 30 |
| 12 ²⁵ -14 ²⁵ | II | Dunwich Heath. | 62/475675 | 12 |
| 15 ²⁵ , 17 ²⁵ | II | Blaxhall Common. | 62/382564 | 12 |
| 1 ²⁶ -3 ²⁶ | II | Lakenheath Warren. | 52/756814 | 15 |
| 4 ²⁶ -5 ²⁶ | II | Weather Heath. | 52/788777 | 55 |
| 7 ²⁶ -8 ²⁶ | II | Thetford Heath. | 52/856795 | 22 |
| 1 ²⁷ -2 ²⁷ | II | Horsford. | 63/175180 | 30 |
| 3 ²⁷ | II | Salthouse Heath. | 63/075424 | 45 |
| 4 ²⁷ | II | Edgefield Heath. | 63/082369 | 45 |

| | | | | |
|---------------------------------------|-----|-------------------|-----------|-----|
| 2 ²⁸ | II | Bridgeham Heath. | 52/922865 | 45 |
| 3 ²⁸⁻⁴ 28 | II | Cockley Cleg. | 53/807058 | 45 |
| 6 ²⁸⁻⁹ 28 | II | Roydon Common. | 53/685229 | 30 |
| 10 ²⁸⁻¹² 28 | II | Cats Bottom. | 53/672276 | 30 |
| 13 ²⁸⁻¹⁴ 28 | II | Bridgham Heath. | 52/913863 | 30 |
| 3 ³³⁻⁵ 33 | II | Cleeve Hill. | 32/985264 | 300 |
| 1 ³⁴ | I | Poor's Allotment. | 31/559993 | 205 |
| 2 ³⁴⁻³ 34 | | Rodway Hill. | 31/665755 | 75 |
| 4 ³⁴⁻⁵ 34 | I | Siston Common. | 31/667740 | 60 |
| 6 ³⁴ | | Rodway Hill. | 31/665755 | 75 |
| 1 ³⁵⁻² 35 | III | Hollybush. | 32/1505 | 450 |
| 2 ³⁹ | | Brocton Field. | 33/9717 | 210 |
| 3 ³⁹ | IV | Grindon Moor. | 43/060559 | 345 |
| 4 ³⁹⁻⁵ 39 | | Rewidge. | 43/073598 | 345 |
| 6 ³⁹ | | Sherbrook Valley. | 33/980180 | 195 |
| 1 ⁴⁰⁻² 40, ⁶ 40 | IV | Hodnet Heath. | 33/620264 | 82 |
| 3 ⁴⁰⁻⁵ 40 | III | Stiperstones. | 32/3699 | 360 |
| 7 ⁴⁰⁻⁴⁰ 40 | III | " | " | " |

| | | | | |
|--------------------|--------|-------------------|-----------|-----|
| 41 40-45 40 | III | Long Mynd. | 32/426944 | 495 |
| 46 40-48 40 | III | " " | 32/412938 | 465 |
| 52 40-59 40 | III, I | Stiperstones. | 32/3699 | 300 |
| 1 41-3 41 | | Ilot. | 21/5692 | 60 |
| 1 42-4 42 | III | Brecon Beacons. | 22/9920 | 450 |
| 18 43-20 43 | IV | Gorddwr Bank. | 32/112832 | 460 |
| 21 43-23 43 | III | Cefn Gugos. | 33/082222 | 390 |
| 10 45 | I | Newgale. | 12/8523 | 30 |
| 11 45-15 45 | I | St. Anne's Head. | 12/8103 | 30 |
| 16 45-18 45, 30 45 | I | St. David's Head. | 12/7328 | 30 |
| 19 45-28 45 | I | " | 12/7228 | 30 |
| 31 45-32 45 | III | Puncheston. | 22/0432 | 270 |
| 1 46-2 46 | III | Esgair Fraith. | 22/5774 | 420 |
| 28 47-37 47 | I | Craig Breidden. | 33/2914 | 285 |
| 1 48-2 48 | III | Myydd Ceiswen. | 23/7614 | 420 |
| 3 48-7 48, 9 48 | III | Myydd y Gader. | 23/7314 | 510 |
| 10 48-14 48 | I | Cader Idris. | 23/7115 | 390 |
| 1 49-3 49 | III | Dyffryn Mymber. | 23/674569 | 435 |

| | | | | |
|-------------|-----|--------------------|-----------|-----|
| 4 49-7 49 | I | Mynydd Cilan. | 23/289250 | 60 |
| 8 49-13 49 | I | Mynydd Mawr. | 23/139259 | 150 |
| 14 49-16 49 | I | Graig Ddu. | 23/353440 | 270 |
| 17 49 | I | Mynydd Cefnamwlch. | 23/224343 | 105 |
| 18 49-20 49 | I | Mynydd Cilan. | 23/291249 | 90 |
| 21 49-22 49 | I | Foel Fawr. | 23/302319 | 150 |
| 1 50-2 50 | III | Nant-y-Garreg. | 23/9762 | 360 |
| 3 52-4 52 | I | Holyhead Mountain. | 23/225824 | 75 |
| 5 52-6 52 | I | Mynydd Badafan. | 23/475853 | 120 |
| 7 52-9 52 | II | Parus Mountain. | 23/440908 | 90 |
| 1 57 | IV | Beeley Moor. | 43/294679 | 310 |
| 2 57-3 57 | IV | Big Moor. | 43/258755 | 310 |
| 4 57 | IV | Bradwell Moor. | 43/148799 | 420 |
| 10 57 | IV | Hartland Sick. | 43/293682 | 300 |
| 22 57 | I | Longdale. | 43/189608 | 280 |
| 1 61-4 61 | III | Baysdale Beck. | 45/652074 | 180 |
| 5 61 | III | Castleton. | 45/681074 | 235 |
| 7 61 | III | Cleeve Beck. | 35/840202 | 430 |

| | | | | |
|---------------|-----|----------------------|-----------|-----|
| 8 61-13 61 | III | Kildale Moor. | 45/641088 | 270 |
| 14 61-15 61 | III | Park Dyke. | 45/609084 | 255 |
| 16 61 | III | Warren Moor. | 45/615080 | 300 |
| 17 61-20 61 | III | Westerdale Moor. | 45/673028 | 375 |
| 112 61-113 61 | III | Moorsholm Moor. | 45/672128 | 225 |
| 1 62-6 62 | IV | Strensall Common. | 44/650615 | 20 |
| 7 62-9 62 | IV | " " | 44/659617 | 20 |
| 1 65-3 65 | III | Askrigg Common. | 34/962938 | 525 |
| 5 65 | III | Broadshaw Bottom. | 35/940071 | 420 |
| 7 65-10 65 | III | Healaugh. | 44/009983 | 225 |
| 11 65-12 65 | III | Thwaite. | 45/028103 | 300 |
| 13 65 | III | Whitaside Moor. | 34/979961 | 405 |
| 1 66-6 66 | III | Waldridge Fell. | 45/2549 | 90 |
| 7 66-9 66 | III | Pallet Crag. | 45/028224 | 270 |
| 10 66 | III | Brasside. | 45/293459 | 55 |
| 11 66 | III | Waldridge. | 45/250499 | 120 |
| 12 66-15 66 | III | Langley Dale Common. | 45/038239 | 353 |
| 16 66-21 66 | III | Slapestone Syke. | 35/813304 | 465 |

| | | | | |
|-------------|-----|--------------------------|-----------|-----|
| 22 66-23 66 | III | Horseshoe Hill. | 35/985447 | 495 |
| 26 66-27 66 | III | Lanehead. | 35/848424 | 480 |
| 28 66-29 66 | III | Sandyford. | 35/964474 | 420 |
| 30 66-32 66 | III | Weatherhill Engine. | 35/995414 | 360 |
| 1 67-3 67 | III | Blanchland Moor. | 35/982538 | 270 |
| 4 67-6 67 | III | Colt Crag. | 35/927776 | 195 |
| 7 67-8 67 | III | Lunga Crag. | 35/953832 | 240 |
| 2 68-4 68 | III | Corbys Crag. | 46/127096 | 180 |
| 1 69-2 69 | III | Coupland. | 35/718184 | 180 |
| 4 69-7 69 | III | Crosby Ravensworth Fell. | 35/628099 | 360 |
| 8 69-9 69 | III | Fell Beck. | 35/690077 | 255 |
| 10 69 | III | Middle Bush. | 35/683088 | 300 |
| 11 69 | III | Ravenstonedale Moor. | 35/694065 | 270 |
| 1 70 | III | Nenthead. | 35/793433 | 570 |
| 2 70 | III | Flinty Fell. | 35/765423 | 555 |
| 3 70-5 70 | III | Blaeberry Hill. | 35/515409 | 195 |
| 6 70-7 70 | III | " " | 35/529403 | 180 |
| 8 70-11 70 | III | Whinlatter Pass. | 35/192247 | 375 |

| | | | | |
|-----------|----|---------------------|-----------|-----|
| 171-271 | I | Maughold Head. | 24/497914 | 45 |
| 371 | I | Port Caronaa | 24/474880 | 15 |
| 471 | I | Maughold Head. | 24/497914 | 45 |
| 571 | I | Fleshwick Bay. | 24/202714 | 15 |
| 771-871 | I | Langness. | 24/284653 | 10 |
| 971-1071 | I | Calf Sound. | 24/173666 | 15 |
| 1371 | I | Eairy. | 24/296779 | 135 |
| 1471-1671 | I | Craigneish. | 24/188677 | 150 |
| 1771-1871 | I | Little Ness. | 24/366729 | 15 |
| 1971 | I | Port Caronaa. | 24/474880 | 30 |
| 2171-2471 | I | Ballagh Plantation. | 24/364918 | 240 |
| 2571-2971 | II | Ayre. | 25/466047 | 10 |
| 3071-3271 | II | Ballaghennie. | 25/436035 | 8 |
| 3371 | II | Rue Point. | 25/410033 | 6 |
| 3471-3571 | II | Foxdale. | 24/287780 | 135 |
| 3671-3871 | II | Glen Rushen Mines. | 24/262780 | 240 |
| 3971-4071 | I | Druidale. | 24/355880 | 265 |

| | | | | |
|--------------|-----|-------------------|-----------|-----|
| 4171 | I | Guthrie Memorial. | 24/436917 | 315 |
| 4271 | I | Injerbeck Hill. | 24/350856 | 345 |
| 4371 | I | South Barrale. | 24/272775 | 300 |
| 4471-4571 | I | Crank Fedjag. | 24/238749 | 360 |
| 172-272 | III | Castle O'er. | 35/250952 | 195 |
| 372-572, 772 | III | Loch Skeen. | 36/174160 | 510 |
| 174-874 | II | Tors Warren. | 35/1254 | 15 |
| 179 | III | Annelshope. | 36/297157 | 300 |
| 279-379 | III | Blacknowe Head. | 36/203104 | 330 |
| 479-579 | III | Craig Hill. | 36/319158 | 270 |
| 779-979 | III | Cringie Law. | 36/445191 | 240 |
| 1079 | III | Esdale Law. | 36/442169 | 325 |
| 1279 | III | Gatecleuch Hill. | 36/283128 | 330 |
| 1379 | III | Range Cleuch. | 36/197100 | 270 |
| 1479 | III | Woll Rig. | 36/441237 | 325 |
| 180 | III | Bellendean. | 36/378147 | 300 |

| | | | | |
|-------------------------|-----|--------------------|-----------|-----|
| 2 ⁸⁰⁻³ 80 | III | Firestone Edge. | 36/406144 | 325 |
| 1 ⁹²⁻³ 92 | III | Devils Elbow. | 37/1578 | 750 |
| 4 ⁹²⁻⁶ 92 | III | Cairnwell. | 37/1479 | 870 |
| 1 ¹⁰⁵⁻² 105 | I | Ardachadail. | 28/1197 | 75 |
| 3 ^{105, 6} 105 | III | Benn Eighe. | 28/0064 | 300 |
| 4 ¹⁰⁵⁻⁵ 105 | I | Inchbae Forest. | 28/3871 | 300 |
| 1 ¹⁰⁸⁻⁵ 108 | I | Inchnadamph. | 29/2326 | 240 |
| 1 ¹¹⁰⁻³ 110 | I | Ard an Tolmachain. | 19/105045 | 105 |
| 4 ¹¹⁰ | I | Aird an Troin. | 19/218155 | 30 |
| 5 ¹¹⁰⁻⁶ 110 | I | Ballallan. | 19/314215 | 15 |
| 7 ¹¹⁰⁻⁸ 110 | I | Ganynahine. | 19/230327 | 30 |
| 9 ¹¹⁰⁻¹⁰ 110 | I | Loch a'Mhorghain. | 19/162052 | 180 |

