



Durham E-Theses

An examination of the teaching of motor vehicle technology in colleges in the north east of England

Frame, K. H.

How to cite:

Frame, K. H. (1981) *An examination of the teaching of motor vehicle technology in colleges in the north east of England*, Durham theses, Durham University. Available at Durham E-Theses Online:
<http://etheses.dur.ac.uk/7647/>

Use policy

The full-text may be used and/or reproduced, and given to third parties in any format or medium, without prior permission or charge, for personal research or study, educational, or not-for-profit purposes provided that:

- a full bibliographic reference is made to the original source
- a [link](#) is made to the metadata record in Durham E-Theses
- the full-text is not changed in any way

The full-text must not be sold in any format or medium without the formal permission of the copyright holders.

Please consult the [full Durham E-Theses policy](#) for further details.

AN EXAMINATION OF THE TEACHING OF
MOTOR VEHICLE TECHNOLOGY IN COLLEGES
IN THE NORTH EAST OF ENGLAND

VOLUME II

Thesis submitted to Durham University for
the degree of Master of Education

by

K. H. FRAME

The copyright of this thesis rests with the author.
No quotation from it should be published without
his prior written consent and information derived
from it should be acknowledged.

JULY 1981



17 MAY 1984

APPENDIX 1

QUESTIONNAIRE ON STUDENTS' OPINIONS AND ATTITUDES

The purpose of this questionnaire is to find out students' attitudes and opinions with regard to:

- (a) course content
- (b) the way in which courses are presented to them
- (c) the teaching staff with whom they have contact
- (d) their employment and environment

All the information supplied by students will be completely anonymous. There are NO right or wrong answers to any questions, but it is essential that the answers are your own personal opinion.

GUIDANCE ON ANSWERING QUESTIONNAIRE

In answering this questionnaire, the position in which you place your tick depends upon the opinion you hold e.g. In the statement 'I generally feel very enthusiastic about my job' if you strongly agree with this statement place your tick as indicated.

STRONGLY AGREE					STRONGLY DISAGREE
1	2	3	4	5	

(Note: A checkmark is present in box 1)

The lower the number the more agreement.

If you consider that you are completely unenthusiastic about your job, place your tick as indicated:

STRONGLY AGREE					STRONGLY DISAGREE
1	2	3	4	5	

(Note: A checkmark is present in box 5)

If you are undecided one way or the other, place your tick as indicated in the neutral number 3 position.

STRONGLY AGREE					STRONGLY DISAGREE
1	2	3	4	5	

(Note: A checkmark is present in box 3)



Summing up BOX 1 indicated 'strongly agree'
 BOX 2 " 'agree'
 BOX 3 " 'neutral, neither agree nor disagree'
 BOX 4 " 'disagree'
 BOX 5 " 'strongly disagree'

In some questions you are simply required to answer YES or NO. If the answer to a question is YES answer by ticking the 'YES' box. i.e.

YES	NO
<input checked="" type="checkbox"/>	<input type="checkbox"/>

If the answer is NO respond by ticking the 'NO' box. i.e.

YES	NO
<input type="checkbox"/>	<input checked="" type="checkbox"/>

Other questions ask for opinion or information. These questions are self explanatory and spaces are provided for your response.

PLEASE COMPLETE THE FOLLOWING

1. The college you are attending at the present time is

.....
.....

2. State the course and year you are currently attending at college.

.....
.....

3. State the examinations (if any) and grades of pass, where appropriate, in which you have so far been successful i.e. C.S.E.'s, G.C.E.'s, motor vehicle craft studies part I, etc.

EXAMINATION	YEAR PASSED	GRADE OF PASS

4. Please give full titles and dates of any examinations you have failed at any time.

.....
.....
.....
.....
.....
.....

5. Give your age in years and months YEARS MONTHS

6. Are you married?

YES	NO

7. If you are married:- Do you own your own home?

YES	NO

8. Are you buying your own home?

9. Do you rent your home?

10. Are you lodging with someone?

11. Give the full name of the school you attended full-time.
.....

12. Do you live with your parents at the present time?

YES	NO

Could you indicate the people living in your family home at the present time:-

13. Father

YES	

 STATE NUMBER

14. Mother

15. Brothers

16. Sisters

17. Grandmothers

18. Grandfathers

19. Please specify other, living in your family home. i.e. aunts, uncles, etc.
.....
.....

Please state, to your knowledge, if your house is:-

20. Rented

21. Owner Occupier

--

Please indicate the type of property in which you live.

NUMBER OF BEDROOMS

22. Terraced	<input type="text"/>	<input type="text"/>
23. Semi-detached	<input type="text"/>	<input type="text"/>
24. Detached	<input type="text"/>	<input type="text"/>

Specify as accurately as you can the job descriptions, qualifications and ages of the following:-

	YOUR	AGE	JOB DESCRIPTION	QUALIFICATION/S
25.	FATHER			
26.	MOTHER			
27.	BROTHERS			
		1		
		2		
		3		
28.	SISTERS			
		1		
		2		
		3		
		4		

29. Please specify the exact title of your present job. i.e. apprentice motor mechanic, apprentice motor vehicle technician, etc.

.....

30. Have you had any full-time jobs other than your present one?

YES	NO
<input type="checkbox"/>	<input type="checkbox"/>

If YES please specify and give the reasons for your leaving.

JOB NO.	JOB TITLE	REASON/S FOR LEAVING
31. 1		
32. 2		
33. 3		
34. 4		

35. What is/are your main hobbies/pastimes?

.....
.....
.....
.....

36. What musical instrument/s d/did you play (if any)? Include any that you played at school.

.....
.....

37. Do you like poetry?

YES	NO
<input type="checkbox"/>	<input type="checkbox"/>

38. Specify any subject/s you studied at Secondary school that you particularly enjoyed.

.....
.....
.....
.....

39. On the whole, would you say you enjoyed your years in Secondary school?

YES NO

--	--

40. Give any main reason/s for liking or disliking Secondary school.

(a) Liking:-
.....

.....

(b) Disliking:-
.....

.....

.....

41. At Secondary school did any particular teacher/s stand out as being helpful to you in any way?

YES NO

--	--

42. If your answer to Question 41 is YES, please try to explain in what way you received help.

.....

.....

.....

.....

Are you a member of:-

43. (a) Your College Library?

YES	NO

(b) Your Local Public Library?

YES	NO

45. In the past twelve months, approximately, how many technical books have you read (either in whole or in part) that were connected with your college course?

.....

46. Approximately, how many other books (not magazines) have you read for pleasure during the same time?

.....

47. If you had to sum up the teachers you had in Secondary School, what would you say of them in general?

.....

.....

.....

.....

.....

.....

48. (a) Did you have the option to stay on at school to do 'A' Levels?

YES	NO

(b) If YES why did you leave when you did?

(c) Before you left school did you have an interview with a careers officer from your local careers centre?

YES	NO

(d) Have you had an interview with the careers officer since leaving school?

YES	NO

49. What advise did your school give you concerning:-

(a) leaving/staying on at school?

.....
.....
.....

(b) getting a job?

.....
.....
.....

(c) the type of job best suited to you?

.....
.....
.....

50. What advice did your parents give you about leaving/staying on at school?

.....
.....
.....
.....
.....

51. Do you receive encouragement from your parents to attend and do well at college?

YES	NO
<input type="checkbox"/>	<input type="checkbox"/>

In this section of the questionnaire there are statements about likes and dislikes concerned with your employment and education. As explained, place a tick in the box you think best suited to your opinion.

STRONGLY AGREE STRONGLY DISAGREE

52. I think I am lucky because many people would consider my job as more of a hobby.

1	2	3	4	5

53. My job is unpleasant.

1	2	3	4	5

54. I enjoy doing my job as much as I enjoy my leisure time.

1	2	3	4	5

55. My friends envy me my job.

1	2	3	4	5

56. I consider my work to be interesting.

1	2	3	4	5

57. I am satisfied with my job.

1	2	3	4	5

STRONGLY
AGREE

STRONGLY
DISAGREE

58. I consider my job to be boring.

1	2	3	4	5

59. I think I enjoy my job more than the average worker.

1	2	3	4	5

60. My work gives me real enjoyment.

1	2	3	4	5

61. Given the choice I would stay at home rather than go into work.

1	2	3	4	5

62. I consider the most important thing about a job is to get well paid for it.

1	2	3	4	5

63. I like my day at work to be very busy.

1	2	3	4	5

64. I would like to stay in the motor trade but am keen for a change of employment.

1	2	3	4	5

STRONGLY
AGREE

STRONGLY
DISAGREE

65. I sometimes think I am used as a source of cheap labour at work

1	2	3	4	5

66. I generally feel very enthusiastic about my job.

1	2	3	4	5

67. When I chose to work at my firm money was'nt the main consideration

1	2	3	4	5

68. I feel that my job is secure and there isn't much chance of redundancy.

1	2	3	4	5

69. I look forward to the day when I will be in a position of responsibility at my firm.

1	2	3	4	5

70. I am at present looking for a complete change of employment away from the motor/transport trade.

1	2	3	4	5

71. I receive encouragement from my employers to do well at my college studies.

1	2	3	4	5

STRONGLY
AGREE

STRONGLY
DISAGREE

72. In order to succeed at college and pass examinations students must read text books.

1	2	3	4	5

73. Part-time day students tend to miss out on college activities.

1	2	3	4	5

74. Part-time day students should be given the opportunity to participate in administrating student facilities.

1	2	3	4	5

75. Lecturers in technical colleges need to have good academic qualifications.

1	2	3	4	5

76. Lecturers in technical colleges need to be good practically in order to teach technical subjects effectively.

1	2	3	4	5

77. Generally speaking, lecturers in my technical college treat their students with respect.

1	2	3	4	5

78. A good college lecturer always keeps his students quiet in class.

1	2	3	4	5

STRONGLY
AGREE

STRONGLY
DISAGREE

79. When at college students should be encouraged to speak out in class if they don't understand something said by the teacher.

1	2	3	4	5

80. All lecturers in technical college should be trained to teach.

1	2	3	4	5

81. Practical demonstrations by the college lecturer are essential when teaching motor vehicle subjects.

1	2	3	4	5

82. College lectures who swear in class are generally poor teachers.

1	2	3	4	5

83. Lecturers who constantly stray away from the main subject area and talk about hobbies, sport, etc., are wasting the students time.

1	2	3	4	5

84. Most college lecturers I know are enthusiastic and seem to enjoy their work.

1	2	3	4	5

85. My college is usually fair but tough with students.

1	2	3	4	5

STRONGLY
AGREE

STRONGLY
DISAGREE

86. Lecturers at college tend not to enforce discipline.

1	2	3	4	5

87. Generally speaking, the college course I am attending is effectively organised.

1	2	3	4	5

88. It is important that lessons at college start and finish on time.

1	2	3	4	5

89. Generally speaking there is a friendly atmosphere existing between lecturers and students at my college.

1	2	3	4	5

90. The opinions given by lecturers at my college concerning course matters are generally good ones.

1	2	3	4	5

91. The college staff would help me if I found myself in difficulties, either at work or at home.

1	2	3	4	5

92. The academic needs of students attending college are catered for.

1	2	3	4	5

STRONGLY
AGREE

STRONGLY
DISAGREE

93. The academic content of my course is, in my opinion, perfectly adequate.

1	2	3	4	5

94. My friends and acquaintances are impressed when I tell them I am attending college.

1	2	3	4	5

95. The college and staff should take an interest in student problems, both inside and outside the college.

1	2	3	4	5

96. All syllabus topics I have covered while on my course at college are relevant to my job.

1	2	3	4	5

97. Enthusiastic college lecturers make students enthusiastic.

1	2	3	4	5

98. The college sometimes interferes with my personal life.

1	2	3	4	5

99. The library facilities at my college are perfectly adequate.

1	2	3	4	5

STRONGLY
AGREE

STRONGLY
DISAGREE

100. Lessons I have attended at college have generally been well presented by the lecturer.

1	2	3	4	5

101. Lessons at college make me develop new ideas of my own.

1	2	3	4	5

102. At the end of the day at college students generally go away feeling as though they have learnt something.

1	2	3	4	5

103. Students are encouraged to work together at college.

1	2	3	4	5

104. A day at college is more enjoyable than going to work.

1	2	3	4	5

105. At college good use is made by the lecturers of visual aid materials and equipment.

1	2	3	4	5

106. The advantages of being successful on my course have been adequately explained to me.

1	2	3	4	5

STRONGLY
AGREE

STRONGLY
DISAGREE

107. College lectures are generally sympathetic to my study problems.

1	2	3	4	5

108. The principal aim of college lecturers is to bring about improved standards of skill in their students.

1	2	3	4	5

109. It is important that students should be given a statement at the beginning of a teaching programme indicating the topics that are to be taught and the reasons why they have been included.

1	2	3	4	5

110. It is important that the lecturer teaches the related topics of the syllabus in a clear and natural order.

1	2	3	4	5

111. I feel that it is important that I know the previous years examination results of the course I am attending.

1	2	3	4	5

112. It is important to be given 'progress bulletins' on my performance as a student.

1	2	3	4	5

113. It is important that students know the teaching methods to be adopted for each topic on the syllabus.

1	2	3	4	5

STRONGLY
AGREE

STRONGLY
DISAGREE

114. It is important, when starting a new topic, to know how much time is available to complete it.

1	2	3	4	5

115. It is important that I be given a detailed syllabus so that I can check my progress in topics completed.

1	2	3	4	5

HOW INTERESTING ARE THE FOLLOWING SUBJECTS TO YOU?

116. Technology

1	2	3	4	5

VERY INTERESTING COMPLETELY UNINTERESTING

117. Science

1	2	3	4	5

118. Mathematics

1	2	3	4	5

119. Workshop Practice

1	2	3	4	5

120. Industrial/General Studies

1	2	3	4	5

HOW IMPORTANT ARE THE FOLLOWING SUBJECTS TO YOU IN YOUR JOB?

VERY IMPORTANT

COMPLETELY UNIMPORTANT

121. Technology

1	2	3	4	5

122. Science

1	2	3	4	5

123. Mathematics

1	2	3	4	5

124. Workshop Practice

1	2	3	4	5

125. Industrial/General Studies

1	2	3	4	5

126. Do you think it important that you be consulted on the teaching order of course topics?

1	2	3	4	5

127. How effective do you find the following revision arrangements?

Revision every few weeks.

VERY EFFECTIVE

COMPLETELY INEFFECTIVE

1	2	3	4	5

VERY EFFECTIVE COMPLETELY INEFFECTIVE

128. Revision at the end of each term

1	2	3	4	5

129. Revision at the end of the course.

1	2	3	4	5

AS AN AID TO LEARNING, HOW EFFECTIVE DO YOU CONSIDER TESTS TO BE WHEN GIVEN

130. Every few weeks?

1	2	3	4	5

131. At the end of each term?

1	2	3	4	5

132. At the end of the course?

1	2	3	4	5

HOW CLEARLY DO EACH OF THE FOLLOWING STATEMENTS (A & B) TELL YOU WHAT YOU ARE EXPECTED TO LEARN BY THE END OF TEACHING SESSION? INFORMATION 'A' REPRESENTS THE TRADITIONAL SYLLABUS PRESENTATION, WHILE 'B' INDICATES THE SAME TOPIC PRESENTED OBJECTIVELY.

VERY CLEAR VERY HAZY

133. Information 'A'

Special clothing (Safety). Use of overalls, goggles, footwear etc. Dangers of everyday clothing.

1	2	3	4	5

134. Information 'B'

The student shall:

- (a) Given a list of different processes and machines and a list of protective clothing, match the protective clothing to the corresponding process or machine.
- (b) State that, when in the proximity of moving machinery, it is dangerous to wear
 - (a) loose ties
 - (b) loose clothing
 - (c) rings and watches
 - (d) loose hair
- (c) Display safety consciousness by wearing the correct clothing

VERY CLEAR	VERY HAZY			
1	2	3	4	5

135. Passing my college examination is important to me.

STRONGLY AGREE	STRONGLY DISAGREE			
1	2	3	4	5

Passing my college examination is important to me because:-

.....

.....

.....

.....

136. It will give me personal satisfaction.

1	2	3	4	5

137. It will give me better career prospects.

1	2	3	4	5

138. It will please my parents.

1	2	3	4	5

139. It will please my employers.

STRONGLY AGREE					STRONGLY DISAGREE	
1	2	3	4	5		

140. The thought of failure frightens/
concerns me.

1	2	3	4	5

141. If the thought of examination failure does frighten/concern you state the reasons why.

.....

.....

.....

.....

142. If passing your college examinations is not important to you, state your reasons for this attitude.

.....

.....

.....

.....

143. How did you get your present job? (one or more of the following could apply):-

	YES
(a) Following an interview with a youth employment officer.	a
(b) Following an interview at the local technical college.	b
(c) Through the careers master at school.	c
(d) Through a relative.	d

143. cont'd

(e) Through an advertisement you saw.

(f) Through a friend/acquaintance at the firm in question.

(g) By calling/ringing unannounced at the firm and asking if there were any vacancies.

	YES
e	
f	
g	

144. If you got your job by any other means, please state how:-

.....

.....

.....

.....

145. State the title/s of the person/s who interviewed you at your present firm.

.....

.....

.....

146. Was any kind of test given to you before you were taken on by your present employers.

YES

--	--

 NO

147. If the answer to Q146 is YES please give a brief account of the test you received.

.....

.....

.....

.....

.....

148. If your employers allowed you to choose the type of course to attend, which ONE of the following would you choose:-

- (a) Block release at the technical college ('full-time' for a total of 9 weeks).
- (b) Full-time at the technical college (one years full-time attendance covering training board requirements and the 1st and 2nd year craft examinations).
- (c) Part-time day and evening at the technical college.
- (d) Evening only at the technical college.
- (e) All on-the-job training at your firm.
- (f) All off-the-job training at your firm.

YES

a	
b	
c	
d	
e	
f	

149. What other formal training/instruction have you received since starting your employment i.e. works courses, training board courses, manufacturers courses, etc.

NAME OF COURSE	COMMENTS (i.e. Poor - Adequate - Good - Very Good - Excellent)
1.	
2.	
3.	
4.	
5.	

Which of the given homework activities in your opinion, would be effective in each of the subjects listed? (tick appropriate boxes)

HOMEWORK ACTIVITIES

	<u>SUBJECT</u>	Homework not needed	Copying Up Notes	Practicing of routine Skills/ Procedures	Tackling New Problems	Working through Self Study Packages	Collecting Information from work	Reading Text Books
150.	TECHNOLOGY							
151.	SCIENCE							
152.	MATHEMATICS							
153.	WORKSHOP PRACTICE							
154.	INDUSTRIAL STUDIES							

In your opinion, which of the five methods of assembly of notes/information, should be used in each of the listed subjects? (Indicate effective methods by ticking appropriate boxes).

STUDENTS RECORD OF INFORMATION

1 2 3 4 5

<u>SUBJECT</u>	Dictation from Teacher	Notes from Blackboard	Class Handouts	Use of Text Books	Own Made Notes
155. TECHNOLOGY					
156. SCIENCE					
157. MATHEMATICS					
158. WORKSHOP PRACTICE					
159. INDUSTRIAL STUDIES					

TEACHING METHOD/LEARNING ACTIVITY

Which of the seven indicated teaching/learning methods, do you feel would be effective, in the teaching of each of the listed five subjects. Indicate your opinion by placing a tick in the appropriate boxes. (You may choose to put several ticks for each subject).

- (1) EXPOSITION: teacher lecturing, perhaps with use of aids and demonstrations
- (2) QUESTIONS AND ANSWER SESSIONS: Class responding to teacher's questions.
- (3) GROUP DISCUSSIONS AND ASSIGNMENTS: students working or discussing in groups.
- (4) INDIVIDUAL TUTORIALS: teacher tutoring individual students.
- (5) SELF STUDY: student learning and working on his own.
- (6) PRACTICE: student involved in repetitive or practice of activities to improve competence.
- (7) LABORATORY AND WORKSHOP ACTIVITIES: student learning using equipment, tools or materials

	1	2	3	4	5	6	7
	Exposition	Questions & Answers	Group Diss'ns & Assign'nts	Individual Tutorials	Self Study	Practice	Lab. & W/S Activities
160.	TECHNOLOGY						
161.	SCIENCE						
162.	MATHEMATICS						
163.	WORKSHOP PRACTICE						
164.	INDUSTRIAL STUDIES						

APPENDIX 2

QUESTIONNAIRE ON COURSE EFFECTIVENESS

The purpose of this questionnaire is to find out, prior to some course redevelopment, what opinion lecturers have on the way courses should be presented and how teachers interpret students' attitudes and opinions with regard to:

- (a) course content
- (b) the way in which courses are presented
- (c) the teaching staff with whom they have contact
- (d) their employment and environment.

All the information supplied will be completely anonymous; there are NO right or wrong answers to any questions but it is essential that the answers are your own personal opinion.

GUIDANCE ON ANSWERING QUESTIONNAIRE

In answering this questionnaire, the position in which you place your tick depends upon the opinion you hold e.g. In the statement 'Craft students generally think that the courses they attend are effectively organised', if you strongly agree with this statement place your tick as indicated.

<u>STRONGLY</u> <u>AGREE</u>					<u>STRONGLY</u> <u>DISAGREE</u>
✓					
1	2	3	4	5	

The lower the number the more agreement.

If you strongly disagree with this statement and consider that craft students generally think that the courses they attend are not effectively organised, place your tick as indicated.

<u>STRONGLY</u> <u>AGREE</u>					<u>STRONGLY</u> <u>DISAGREE</u>
				✓	
1	2	3	4	5	

If you are undecided one way or the other, place your tick as indicated in the neutral number 3 position.

<u>STRONGLY</u> <u>AGREE</u>					<u>STRONGLY</u> <u>DISAGREE</u>
		✓			
1	2	3	4	5	

SUMMING UP

BOX 1 indicates 'strongly agree'

BOX 2 " 'agree'

BOX 3 " 'neutral, neither agree nor disagree'

BOX 4 " 'disagree'

BOX 5 " 'strongly disagree'

In some questions you are simply required to answer YES or NO. If the answer to a question is YES answer by ticking the 'YES' box, i.e.

YES	NO
<input checked="" type="checkbox"/>	<input type="checkbox"/>

If the answer is NO respond by ticking the NO box i.e.

YES	NO
<input type="checkbox"/>	<input checked="" type="checkbox"/>

Other questions ask for opinions or information. These questions are self explanatory and spaces are provided for your response.

Please indicate the type of student you have (1) taught

(2) have had experience of

- (a) Motor Vehicle Craft Students
- (b) Motor Vehicle Technician Students
- (c) Mechanical/Fabrication Craft Students
- (d) Mechanical Technician Students
- (e) Electrical Craft Students
- (f) Electrical Technician Students

YES
TAUGHT

YES
HAVE HAD
EXPERIENCE OF

All the questions in this questionnaire principally refer to students attending motor vehicle courses.

1. On the whole, would you say that students enjoyed their years in Secondary school?

YES NO

CRAFT STUDENTS

--	--

YES NO

TECHNICIAN STUDENTS

--	--

2. Do students tend to make good use of your college library facilities?

YES NO

CRAFT STUDENTS

--	--

YES NO

TECHNICIAN STUDENTS

--	--

3. Do students tend to make use of their Local Public Library?

YES NO

CRAFT STUDENTS

--	--

YES NO

TECHNICIAN STUDENTS

--	--

4. Would you say that, in general, students receive encouragement from their parents to attend and do well at college?

YES NO

CRAFT STUDENTS

--	--

YES NO

TECHNICIAN STUDENTS

--	--

In this section of the questionnaire there are statements concerned with students employment and education. As explained, place a tick in the box you think best suited to your opinion.

STUDENTS:-

STRONGLY
AGREE

STRONGLY
DISAGREE

5. think they are lucky because many people would consider their job as more of a hobby.

CRAFT
STUDENT

<input type="checkbox"/>	<input type="checkbox"/>	<input type="checkbox"/>	<input type="checkbox"/>	<input type="checkbox"/>
1	2	3	4	5

TECHNICIAN
STUDENT

<input type="checkbox"/>	<input type="checkbox"/>	<input type="checkbox"/>	<input type="checkbox"/>	<input type="checkbox"/>
1	2	3	4	5

6. think their jobs are unpleasant.

CRAFT
STUDENT

<input type="checkbox"/>	<input type="checkbox"/>	<input type="checkbox"/>	<input type="checkbox"/>	<input type="checkbox"/>
1	2	3	4	5

TECHNICIAN
STUDENT

<input type="checkbox"/>	<input type="checkbox"/>	<input type="checkbox"/>	<input type="checkbox"/>	<input type="checkbox"/>
1	2	3	4	5

7. enjoy their jobs as much as their leisure time.

CRAFT
STUDENT

<input type="checkbox"/>	<input type="checkbox"/>	<input type="checkbox"/>	<input type="checkbox"/>	<input type="checkbox"/>
1	2	3	4	5

TECHNICIAN
STUDENT

<input type="checkbox"/>	<input type="checkbox"/>	<input type="checkbox"/>	<input type="checkbox"/>	<input type="checkbox"/>
1	2	3	4	5

8. friends envy them their jobs.

CRAFT
STUDENT

<input type="checkbox"/>	<input type="checkbox"/>	<input type="checkbox"/>	<input type="checkbox"/>	<input type="checkbox"/>
1	2	3	4	5

TECHNICIAN
STUDENT

<input type="checkbox"/>	<input type="checkbox"/>	<input type="checkbox"/>	<input type="checkbox"/>	<input type="checkbox"/>
1	2	3	4	5

9. consider their work to be interesting.

CRAFT
STUDENT

<input type="checkbox"/>	<input type="checkbox"/>	<input type="checkbox"/>	<input type="checkbox"/>	<input type="checkbox"/>
1	2	3	4	5

TECHNICIAN
STUDENT

<input type="checkbox"/>	<input type="checkbox"/>	<input type="checkbox"/>	<input type="checkbox"/>	<input type="checkbox"/>
1	2	3	4	5

STUDENTS:-

STRONGLY
AGREE

STRONGLY
DISAGREE

10. are satisfied with their jobs.

CRAFT
STUDENT

1	2	3	4	5

TECHNICIAN
STUDENT

1	2	3	4	5

11. consider their jobs to be boring.

CRAFT
STUDENT

1	2	3	4	5

TECHNICIAN
STUDENT

1	2	3	4	5

12. think that they enjoy their jobs more than the average worker.

CRAFT
STUDENT

1	2	3	4	5

TECHNICIAN
STUDENT

1	2	3	4	5

13. work in the motor trade gives them real enjoyment.

CRAFT
STUDENT

1	2	3	4	5

TECHNICIAN
STUDENT

1	2	3	4	5

14. given the choice, would stay at home rather than go to work.

CRAFT
STUDENT

1	2	3	4	5

TECHNICIAN
STUDENT

1	2	3	4	5

STUDENTS:-

STRONGLY
AGREE

STRONGLY
DISAGREE

15. consider the most important thing about a job is to get well paid for it.

CRAFT
STUDENT

1	2	3	4	5

TECHNICIAN
STUDENT

1	2	3	4	5

16. like their day at work to be very busy.

CRAFT
STUDENT

1	2	3	4	5

TECHNICIAN
STUDENT

1	2	3	4	5

17. I know would like to stay in the motor trade, but are keen for a change of employment.

CRAFT
STUDENT

1	2	3	4	5

TECHNICIAN
STUDENT

1	2	3	4	5

18. sometimes think they are used as a source of cheap labour at work.

CRAFT
STUDENT

1	2	3	4	5

TECHNICIAN
STUDENT

1	2	3	4	5

19. generally feel very enthusiastic about their jobs.

CRAFT
STUDENT

1	2	3	4	5

TECHNICIAN
STUDENT

1	2	3	4	5

STUDENTS:-

STRONGLY
AGREE

STRONGLY
DISAGREE

20. did not consider money to be the most important factor when they chose to work at their current place of employment.

CRAFT
STUDENT

1	2	3	4	5

TECHNICIAN
STUDENT

1	2	3	4	5

21. feel that their jobs are secure and there isn't much chance of redundancy.

CRAFT
STUDENT

1	2	3	4	5

TECHNICIAN
STUDENT

1	2	3	4	5

22. look forward to the day when they will be in a position of responsibility at the firm there they work.

CRAFT
STUDENT

1	2	3	4	5

TECHNICIAN
STUDENT

1	2	3	4	5

23. I know are at present looking for a complete change of employment away from the motor/transport trade.

CRAFT
STUDENT

1	2	3	4	5

TECHNICIAN
STUDENT

1	2	3	4	5

24. receive encouragement from their employers to do well at their college studies.

CRAFT
STUDENT

1	2	3	4	5

TECHNICIAN
STUDENT

1	2	3	4	5

STUDENTS:-

STRONGLY
AGREE

STRONGLY
DISAGREE

25. think, in order to succeed at college and pass examinations, they must read text books.

CRAFT
STUDENT

1	2	3	4	5

TECHNICIAN
STUDENT

1	2	3	4	5

26. think that part-time day students tend to miss out on college activities.

CRAFT
STUDENT

1	2	3	4	5

TECHNICIAN
STUDENT

1	2	3	4	5

27. who attend part-time day courses think they should be given the opportunity to participate in administrating student facilities.

CRAFT
STUDENT

1	2	3	4	5

TECHNICIAN
STUDENT

1	2	3	4	5

28. think that lecturers in technical colleges need to have good academic qualifications.

CRAFT
STUDENT

1	2	3	4	5

TECHNICIAN
STUDENT

1	2	3	4	5

29. think that technical college lecturers need to be good practically in order to teach technical subjects effectively.

CRAFT
STUDENT

1	2	3	4	5

TECHNICIAN
STUDENT

1	2	3	4	5

STUDENTS: -

STRONGLY
AGREE

STRONGLY
DISAGREE

30. generally feel that they are treated with respect by college lecturers.

CRAFT
STUDENT

1	2	3	4	5

TECHNICIAN
STUDENT

1	2	3	4	5

31. think that a good college lecturer always keeps his students quiet in class.

CRAFT
STUDENT

1	2	3	4	5

TECHNICIAN
STUDENT

1	2	3	4	5

32. when at college, think that they should be encouraged to speak out in class if they don't understand something said by the teacher.

CRAFT
STUDENT

1	2	3	4	5

TECHNICIAN
STUDENT

1	2	3	4	5

33. think all lecturers in technical colleges should be trained to teach.

CRAFT
STUDENT

1	2	3	4	5

TECHNICIAN
STUDENT

1	2	3	4	5

34. think practical demonstrations by the lecturer are essential when teaching motor vehicle subjects.

CRAFT
STUDENT

1	2	3	4	5

TECHNICIAN
STUDENT

1	2	3	4	5

STUDENTS:-

STRONGLY
AGREE

STRONGLY
DISAGREE

35. think that college lecturers who swear in class are generally poor teachers.

CRAFT
STUDENT

1	2	3	4	5

TECHNICIAN
STUDENT

1	2	3	4	5

36. think lecturers who constantly stray away from the main subject area and talk about hobbies, sport, etc., are wasting their time.

CRAFT
STUDENT

1	2	3	4	5

TECHNICIAN
STUDENT

1	2	3	4	5

37. think that college lecturers are enthusiastic and seem to enjoy their work.

CRAFT
STUDENT

1	2	3	4	5

TECHNICIAN
STUDENT

1	2	3	4	5

38. think that their college is usually fair but tough with them.

CRAFT
STUDENT

1	2	3	4	5

TECHNICIAN
STUDENT

1	2	3	4	5

39. think that lecturers at college tend not to enforce discipline.

CRAFT
STUDENT

1	2	3	4	5

TECHNICIAN
STUDENT

1	2	3	4	5

STUDENTS:-

STRONGLY
AGREE

STRONGLY
DISAGREE

40. think that, generally speaking the college course they are attending is effectively organised.

CRAFT
STUDENT

1	2	3	4	5

TECHNICIAN
STUDENT

1	2	3	4	5

41. think that it is important that lessons at college start and finish on time.

CRAFT
STUDENT

1	2	3	4	5

TECHNICIAN
STUDENT

1	2	3	4	5

42. think that, generally speaking, there is a friendly atmosphere existing between lecturers and students.

CRAFT
STUDENT

1	2	3	4	5

TECHNICIAN
STUDENT

1	2	3	4	5

43. think that opinions given by lecturers concerning course matters are generally good ones.

CRAFT
STUDENT

1	2	3	4	5

TECHNICIAN
STUDENT

1	2	3	4	5

44. think that college staff would help them if they found themselves in difficulties, either at work or at home.

CRAFT
STUDENT

1	2	3	4	5

TECHNICIAN
STUDENT

1	2	3	4	5

STUDENTS:-

STRONGLY
AGREE

STRONGLY
DISAGREE

45. think that the academic needs of students at college are catered for.

CRAFT
STUDENT

1	2	3	4	5

TECHNICIAN
STUDENT

1	2	3	4	5

46. think that the academic content of their course is perfectly adequate.

CRAFT
STUDENT

1	2	3	4	5

TECHNICIAN
STUDENT

1	2	3	4	5

47. feel that their friends and acquaintances are impressed when told that they are attending college.

CRAFT
STUDENT

1	2	3	4	5

TECHNICIAN
STUDENT

1	2	3	4	5

48. feel that the college and staff should take an interest in their problems, both inside and outside the college.

CRAFT
STUDENT

1	2	3	4	5

TECHNICIAN
STUDENT

1	2	3	4	5

49. think that all syllabus topics that they have covered while on their course are relevant to their job.

CRAFT
STUDENT

1	2	3	4	5

TECHNICIAN
STUDENT

1	2	3	4	5

STUDENTS:-

STRONGLY
AGREE

STRONGLY
DISAGREE

50. think that enthusiastic college lecturers make students enthusiastic.

CRAFT STUDENT

1	2	3	4	5

TECHNICIAN STUDENT

1	2	3	4	5

51. feel that the college sometimes interferes with their personal lives.

CRAFT STUDENT

1	2	3	4	5

TECHNICIAN STUDENT

1	2	3	4	5

52. think that the library facilities at their college are perfectly adequate.

CRAFT STUDENT

1	2	3	4	5

TECHNICIAN STUDENT

1	2	3	4	5

53. think that lessons they have attended at college have generally been well presented by the lecturers.

CRAFT STUDENT

1	2	3	4	5

TECHNICIAN STUDENT

1	2	3	4	5

54. think that lessons at college make them develop new ideas of their own.

CRAFT STUDENT

1	2	3	4	5

TECHNICIAN STUDENT

1	2	3	4	5

STUDENTS:-

STRONGLY
AGREE

STRONGLY
DISAGREE

55. at the end of their day at college go away feeling as though they have learnt something.

CRAFT
STUDENT

1	2	3	4	5

TECHNICIAN
STUDENT

1	2	3	4	5

56. feel that they are encouraged to work together at college.

CRAFT
STUDENT

1	2	3	4	5

TECHNICIAN
STUDENT

1	2	3	4	5

57. think that a day at college is more enjoyable than going to work.

CRAFT
STUDENT

1	2	3	4	5

TECHNICIAN
STUDENT

1	2	3	4	5

58. think that, at college, good use is made by the college lecturers of visual aid materials and equipment.

CRAFT
STUDENT

1	2	3	4	5

TECHNICIAN
STUDENT

1	2	3	4	5

59. think they have had the advantages of being successful on their course adequately explained to them.

CRAFT
STUDENT

1	2	3	4	5

TECHNICIAN
STUDENT

1	2	3	4	5

STUDENTS:-

STRONGLY
AGREE

STRONGLY
DISAGREE

60. think that lecturers are generally sympathetic to their study problems.

CRAFT
STUDENT

1	2	3	4	5

TECHNICIAN
STUDENT

1	2	3	4	5

61. think that the principal aim of college lecturers is to bring about improved standards of skill in them.

CRAFT
STUDENT

1	2	3	4	5

TECHNICIAN
STUDENT

1	2	3	4	5

62. think that it is important that they should be given a statement at the beginning of a teaching programme indicating the topics that are to be taught and the reasons why they are being taught.

CRAFT
STUDENT

1	2	3	4	5

TECHNICIAN
STUDENT

1	2	3	4	5

63. think that it is important that the lecturer teaches the related topics of the syllabus in a clear and natural order.

CRAFT
STUDENT

1	2	3	4	5

TECHNICIAN
STUDENT

1	2	3	4	5

64. feel that it is important that they know the previous year's examination results of the course they are attending.

CRAFT
STUDENT

1	2	3	4	5

TECHNICIAN
STUDENT

1	2	3	4	5

STUDENTS:-

STRONGLY
AGREE

STRONGLY
DISAGREE

65. feel that it is important to be given 'progress bulletins' on their performance as students.

CRAFT
STUDENT

1	2	3	4	5

TECHNICIAN
STUDENT

1	2	3	4	5

66. think that it is important that they know the teaching method to be adopted for each topic on the syllabus.

CRAFT
STUDENT

1	2	3	4	5

TECHNICIAN
STUDENT

1	2	3	4	5

67. think it important, when starting a new topic, to know how much time is available to complete it.

CRAFT
STUDENT

1	2	3	4	5

TECHNICIAN
STUDENT

1	2	3	4	5

68. think it important to be given a detailed syllabus so that they can check their progress in topics completed.

CRAFT
STUDENT

1	2	3	4	5

TECHNICIAN
STUDENT

1	2	3	4	5

HOW INTERESTING DO YOU THINK STUDENTS
FIND THE FOLLOWING SUBJECTS?

VERY
INTERESTING

COMPLETELY
UNINTERESTING

69. Technology

CRAFT
STUDENT

1	2	3	4	5

TECHNICIAN
STUDENT

1	2	3	4	5

VERY COMpletely
INTERESTING UNINTERESTING

70. Science

CRAFT
STUDENT

1	2	3	4	5

TECHNICIAN
STUDENT

1	2	3	4	5

71. Mathematics

CRAFT
STUDENT

1	2	3	4	5

TECHNICIAN
STUDENT

1	2	3	4	5

72. Workshop Practice

CRAFT
STUDENT

1	2	3	4	5

TECHNICIAN
STUDENT

1	2	3	4	5

73. Industrial/General
Studies

CRAFT
STUDENT

1	2	3	4	5

TECHNICIAN
STUDENT

1	2	3	4	5

HOW IMPORTANT DO YOU THINK STUDENTS
FIND THE FOLLOWING SUBJECTS TO THEIR JOB?

VERY COMpletely
IMPORTANT UNIMPORTANT

74. Technology

CRAFT
STUDENT

1	2	3	4	5

TECHNICIAN
STUDENT

1	2	3	4	5

		<u>VERY</u> <u>IMPORTANT</u>					<u>COMPLETELY</u> <u>UNIMPORTANT</u>
75. Science	CRAFT STUDENT	<input type="checkbox"/>	<input type="checkbox"/>	<input type="checkbox"/>	<input type="checkbox"/>	<input type="checkbox"/>	
		1	2	3	4	5	
	TECHNICIAN STUDENT	<input type="checkbox"/>	<input type="checkbox"/>	<input type="checkbox"/>	<input type="checkbox"/>	<input type="checkbox"/>	
		1	2	3	4	5	
76. Mathematics	CRAFT STUDENT	<input type="checkbox"/>	<input type="checkbox"/>	<input type="checkbox"/>	<input type="checkbox"/>	<input type="checkbox"/>	
		1	2	3	4	5	
	TECHNICIAN STUDENT	<input type="checkbox"/>	<input type="checkbox"/>	<input type="checkbox"/>	<input type="checkbox"/>	<input type="checkbox"/>	
		1	2	3	4	5	
77. Workshop Practice	CRAFT STUDENT	<input type="checkbox"/>	<input type="checkbox"/>	<input type="checkbox"/>	<input type="checkbox"/>	<input type="checkbox"/>	
		1	2	3	4	5	
	TECHNICIAN STUDENT	<input type="checkbox"/>	<input type="checkbox"/>	<input type="checkbox"/>	<input type="checkbox"/>	<input type="checkbox"/>	
		1	2	3	4	5	
78. Industrial/General Studies	CRAFT STUDENT	<input type="checkbox"/>	<input type="checkbox"/>	<input type="checkbox"/>	<input type="checkbox"/>	<input type="checkbox"/>	
		1	2	3	4	5	
	TECHNICIAN STUDENT	<input type="checkbox"/>	<input type="checkbox"/>	<input type="checkbox"/>	<input type="checkbox"/>	<input type="checkbox"/>	
		1	2	3	4	5	
79 Do you feel that students think that they should be consulted on the teaching order of course topics?	CRAFT STUDENT	<input type="checkbox"/>	<input type="checkbox"/>	<input type="checkbox"/>	<input type="checkbox"/>	<input type="checkbox"/>	
		1	2	3	4	5	
	TECHNICIAN STUDENT	<input type="checkbox"/>	<input type="checkbox"/>	<input type="checkbox"/>	<input type="checkbox"/>	<input type="checkbox"/>	
		1	2	3	4	5	

HOW EFFECTIVE DO YOU THINK STUDENTS
FIND THE FOLLOWING ARRANGEMENTS?

VERY
EFFECTIVE COMPLETELY
INEFFECTIVE

80. Revision every four weeks CRAFT
STUDENT

1	2	3	4	5

TECHNICIAN
STUDENT

1	2	3	4	5

81. Revision at the end of
each term.

CRAFT
STUDENT

1	2	3	4	5

TECHNICIAN
STUDENT

1	2	3	4	5

82. Revision at the end of
the course.

CRAFT
STUDENT

1	2	3	4	5

TECHNICIAN
STUDENT

1	2	3	4	5

AS AN AID TO LEARNING, HOW EFFECTIVE DO YOU
CONSIDER STUDENTS FIND TESTS TO BE WHEN GIVEN

83. every few weeks?

CRAFT
STUDENT

1	2	3	4	5

TECHNICIAN
STUDENT

1	2	3	4	5

84. at the end of each term?

CRAFT
STUDENT

1	2	3	4	5

TECHNICIAN
STUDENT

1	2	3	4	5

		<u>VERY EFFECTIVE</u>				<u>COMPLETELY INEFFECTIVE</u>	
85.	at the end of the course?	CRAFT STUDENT					
			1	2	3	4	5
		TECHNICIAN STUDENT					
			1	2	3	4	5

HOW CLEARLY DO EACH OF THE FOLLOWING STATEMENTS (A & B) TELL STUDENTS WHAT THEY ARE EXPECTED TO LEARN BY THE END OF A TEACHING SESSION? INFORMATION 'A' REPRESENTS THE TRADITIONAL SYLLABUS PRESENTATION, WHILE 'B' INDICATES THE SAME TOPIC PRESENTED OBJECTIVELY.

		<u>VERY CLEAR</u>				<u>VERY HAZY</u>	
86.	<u>INFORMATION 'A'</u>	CRAFT STUDENT					
			1	2	3	4	5
		TECHNICIAN STUDENT					
			1	2	3	4	5

Special clothing (Safety). Use of overalls, goggles, footwear, etc.
Dangers of everyday clothing.

87. INFORMATION 'B'
- The student shall:
- (a) Given a list of different processes and machines and a list of protective clothing, match the protective clothing to the corresponding process or machine.
 - (b) State that, when in the proximity of moving machinery, it is dangerous to wear
 - (i) loose ties
 - (ii) loose clothing
 - (iii) rings and watches
 - (iv) loose hair
 - (c) Display safety consciousness by wearing the correct clothing.

		<u>VERY CLEAR</u>				<u>VERY HAZY</u>	
	CRAFT STUDENTS						
			1	2	3	4	5
	TECHNICIAN STUDENTS						
			1	2	3	4	5

STRONGLY
AGREE

STRONGLY
DISAGREE

88. It is important to students to pass their examinations.

CRAFT
STUDENT

1	2	3	4	5

TECHNICIAN
STUDENT

1	2	3	4	5

IT IS IMPORTANT TO STUDENT THAT THEY PASS THEIR EXAMINATIONS BECAUSE:-

89. it gives them personal satisfaction.

CRAFT
STUDENT

1	2	3	4	5

TECHNICIAN
STUDENT

1	2	3	4	5

90. it will give them better career prospects.

CRAFT
STUDENT

1	2	3	4	5

TECHNICIAN
STUDENT

1	2	3	4	5

91. it will please their parents.

CRAFT
STUDENT

1	2	3	4	5

TECHNICIAN
STUDENT

1	2	3	4	5

92. it will please their employers.

CRAFT
STUDENT

1	2	3	4	5

TECHNICIAN
STUDENT

1	2	3	4	5

STRONGLY
AGREE

STRONGLY
DISAGREE

93. the thought of failure
frightens/concerns
them.

CRAFT
STUDENTS

--	--	--	--	--

1 2 3 4 5

TECHNICIAN
STUDENTS

--	--	--	--	--

1 2 3 4 5

Which of the given homework activities in your opinion, would be effective in each of the subjects listed?

(tick appropriate boxes)

HOMWORK ACTIVITIES

	<u>SUBJECT</u>	Homework not needed	Copying Up Notes	Practicing of routine Skills/ Procedures	Tackling New Problems	Working through Self Study Packages	Collecting Information from work	Reading Text Books
94.	TECHNOLOGY							
95.	SCIENCE							
96.	MATHEMATICS							
97.	WORKSHOP PRAC.							
98.	GEN/IND. STUDIES							

In your opinion, which of the five methods of assembly of notes/information, should be used in each of the listed subjects? (Indicate effective methods by ticking appropriate boxes).

STUDENT'S RECORD OF INFORMATION

	1	2	3	4	5
<u>SUBJECT</u>	Dictation from Teacher	Notes from Blackboard	Class Handouts	Use of Text Books	Own Made Notes
99. TECHNOLOGY					
100. SCIENCE					
101. MATHEMATICS					
102. WORKSHOP PRACTICE					
103. GEN/IND. STUDIES					

TEACHING METHOD/LEARNING ACTIVITY

- (1) EXPOSITION: teacher lecturing, perhaps with use of aids and demonstrations.
- (2) QUESTIONS AND ANSWER SESSIONS: Class responding to teacher's questions.
- (3) GROUP DISCUSSIONS AND ASSIGNMENTS: students working or discussing in groups.
- (4) INDIVIDUAL TUTORIALS: teacher tutoring individual students.
- (5) SELF STUDY: student learning and working on his own.
- (6) PRACTICE: student involved in repetition or practice of activities to improve competence.
- (7) LABORATORY AND WORKSHOP ACTIVITIES: student learning using equipment, tools or materials.

Which of the seven indicated teaching/learning methods, do you feel would be effective, in the teaching of each of the listed five subjects. Indicate your opinion by placing a tick in the appropriate boxes. (You may choose to put several ticks for each subject).

	1	2	3	4	5	6	7
	Exposition	Questions & Answers	Group Diss'ns & Assign.	Individ. Tutorials	Self Study	Practice	Lab. & W/Shop Activit.
104.							
105.							
106.							
107.							
108.							

APPENDIX 3

CLASSIFICATION OF INTELLECTUAL LEVELS

The purpose of this section is to highlight the ambiguities that exist in the way in which college lecturers interpret course topics.

This is an experimental study of opinion.

Please answer all questions by placing a tick in the appropriate space.

The specification of intellectual levels are those adopted by the Technician Education Council (T.E.C.) i.e. (a) INFORMATION (b) COMPREHENSION (c) APPLICATION (d) INVENTION.

DEFINITIONS

(a) INFORMATION

This lowest level involves the remembering of previously learned material. This may involve the recall of a wide range of material from specific facts to methods, theories and definitions.

(b) COMPREHENSION

Comprehension is defined as the ability to grasp the meaning of material. This could involve:

- (i) translating material from one form to another (words to numbers).
- (ii) interpreting material (interpolation of a graph or explaining in own words).
- (iii) estimating future trends (extrapolation of a graph or predicting consequences).

(c) APPLICATION

Application refers to the ability to use learned material in new situations.

(d) INVENTION

Objectives at this, the highest level, expect the student to produce a finished article (i.e. a design, or a judgement) after having duly considered all of the relevant aspects.

GUIDANCE ON ANSWERING

Read the statements in the order presented, indicating your opinion in the space provided before going on to read the next statement.

The objectives are written in terms of learning outcome of the student.

e.g.

one of the statements reads 'Given a sketch showing the relative positions of a vehicle's major units, the student states which is the gear-box'.

A Inform'n	B Comp'n	C Appl'n	D Inven'n

If you think this statement indicates "INFORMATION" as the highest intellectual level of learning, place a tick in Box A as indicated.

If the statement indicates "COMPREHENSION" as the highest level, place your tick in Box B.

If the statement indicates "APPLICATION" as the highest level, place your tick in Box C.

If you think "INVENTION" is the highest intellectual level the statement indicates, place your tick in the Box D.

The following selected specific objectives are presented at random.

- Given an illustrated sketch showing a conventional engine and transmission system, state why the gearbox is so positioned.

A Inform'n	B Comp'n	C Appl'n	D Inven'n

- Calculate from a fully specified gearbox the ratios of all gear positions.

--	--	--	--

- Given a gearbox unit on a bench, calculate the ratios of each gear position.

--	--	--	--

- Given a closed gearbox unit on a bench, is able to devise an experiment to calculate the ratios of all the gear positions.

--	--	--	--

5. Given a gearbox unit on a bench, is able to state how the reverse gear position is selected.

A Inform'n	B Comp'n	C Appl'n	D Inven'n

6. State the function of the reverse idler pinion.

--	--	--	--

7. Explain the engine and load conditions which demand the use of a gearbox.

--	--	--	--

8. Explain the reasons why a driver, in order to climb steep hills engages a gear which causes the driving wheels to rotate slower with more torque.

--	--	--	--

9. State the outcome of increasing the reverse idler pinion size on the reverse gear ratio.

--	--	--	--

10. Given a sketch showing the relative positions of a vehicle's major units, state which is the gearbox.

--	--	--	--

11. Calculate gear ratios.

--	--	--	--

12. In relation to other major units, state the position of the gearbox.

--	--	--	--

13. State by what means reverse gear is selected.

A Inform'n	B Comp'n	C Appl'n	D Inven'n

14. Given that a low gear position facilitates ease of hill climbing by providing more engine torque, explain why a wider throttle opening would be necessary to maintain a constant speed.

--	--	--	--

15. Given a sketch of a four speed constant-mesh gearbox in neutral position, state the action necessary within the gearbox to select the reverse gear position.

--	--	--	--

TEACHING METHOD/LEARNING ACTIVITY

Considering the same specific objectives, what teaching methods/learning activities do you consider would best achieve each expected learning outcome? Do not choose more than three methods/activities per objective. Indicate your choice/s by ticking the appropriate section.

- (1) EXPOSITION: teacher lecturing, perhaps with use of aids and demonstrations.
- (2) QUESTIONS AND ANSWER SESSIONS: class responding to teacher's questions.
- (3) GROUP DISCUSSIONS: students working or discussing in groups.
- (4) INDIVIDUAL TUTORIALS: teacher tutoring individual students.
- (5) SELF STUDY: student learning and working on his own.
- (6) PRACTICE: student involved in repetitive practice.
- (7) LABORATORY & WORKSHOP ACTIVITIES: student learning using equipment, tools and materials.

THE EXPECTED LEARNING OUTCOME IS THAT THE STUDENT:

- 1. Given an illustrated sketch showing a conventional engine & transmission system, state why the gearbox is so positioned.
- 2. Calculate from a fully specified gearbox the ratios of all gear positions.
- 3. Given a gearbox unit on a bench, calculate the ratios of each gear position.

	Exposition	Questions & Answers	Group Diss'ns & Assigns.	Indiv. Tutorials	Self Study	Practice	Lab. & W/Shop Activ.
1. Given an illustrated sketch showing a conventional engine & transmission system, state why the gearbox is so positioned.							
2. Calculate from a fully specified gearbox the ratios of all gear positions.							
3. Given a gearbox unit on a bench, calculate the ratios of each gear position.							

	1 Exposition	2 Questions & Answers	3 Group Diss'ns & Assign'ts	4 Indiv. Tutorials	5 Self Study	6 Practice	7 Lab. & Workshop Activities
<p>THE EXPECTED LEARNING OUTCOME IS THAT THE STUDENT:</p> <p>4. Given a closed gear-box unit on a bench, is able to devise an experiment to calculate the ratios of all the gear positions.</p>							
<p>5. Given a gearbox unit on a bench is able to state how the reverse gear position is selected.</p>							
<p>6. State the function of the reverse idler pinion.</p>							
<p>7. Explain the engine and load conditions which demand the use of a gear-box.</p>							
<p>8. Explain the reasons why a driver, in order to climb steep hills engages a gear which causes the driving wheel to rotate slower with more torque.</p>							
<p>9. State the outcome of increasing the reverse idler pinion size on the reverse gear ratio.</p>							

THE EXPECTED LEARNING OUTCOME IS THAT THE STUDENT:	1 Exposition	2 Questions & Answers	3 Group Diss'ns & Assign.	4 Indiv. Tutorials	5 Self Study	6 Practice	7 Lab. & W/Shop Activ.
10. Given a sketch showing the relative positions of a vehicle's major units, state which is the gearbox							
11. Calculate gear ratios.							
12. In relation to other major units, state the position of the gearbox.							
13. State by what means reverse gear is selected.							
14. Given that a low gear position facilitates ease of hill climbing by providing more engine torque, explain why a wider throttle opening would be necessary to maintain a constant speed.							
15. Given a sketch of a four speed constant-mesh gearbox, state the action necessary within the gearbox to select the reverse gear position.							

APPENDIX 4

STUDENT EVALUATION TESTS (CATEGORY 1 AND 2)

SUBJECT: FOUR SPEED CONSTANT MESH GEARBOX

NAME: _____

Indicate which of the answers you think is correct by putting a ring round the letter a, b, c, or d.

For example, if you think that a is the correct answer it should be shown (a) b c d

If more than one letter is ringed you will be given no marks for that question,

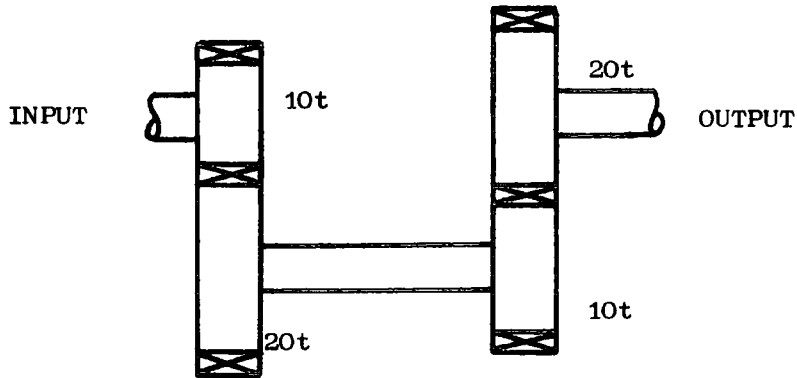
You may change your answer by putting a cross through the letter previously ringed and ringing another letter thus

a ~~(b)~~ c (d)

- 1) In the majority of motor vehicles the top gearbox ratio is
(a) 1:2 (b) 1:1
(c) 2:1 (d) 4:1
- 2) In order to climb a steep hill, a driver engages a gear which causes driving wheels to rotate
(a) faster with less torque
(b) slower with more torque
(c) faster with more torque
(d) slower with less torque
- 3) When engaging third gear in a four speed constant mesh gearbox, a sliding dog locks the third gear wheel to the
(a) primary shaft (c) mainshaft
(b) layshaft (d) sprigot shaft

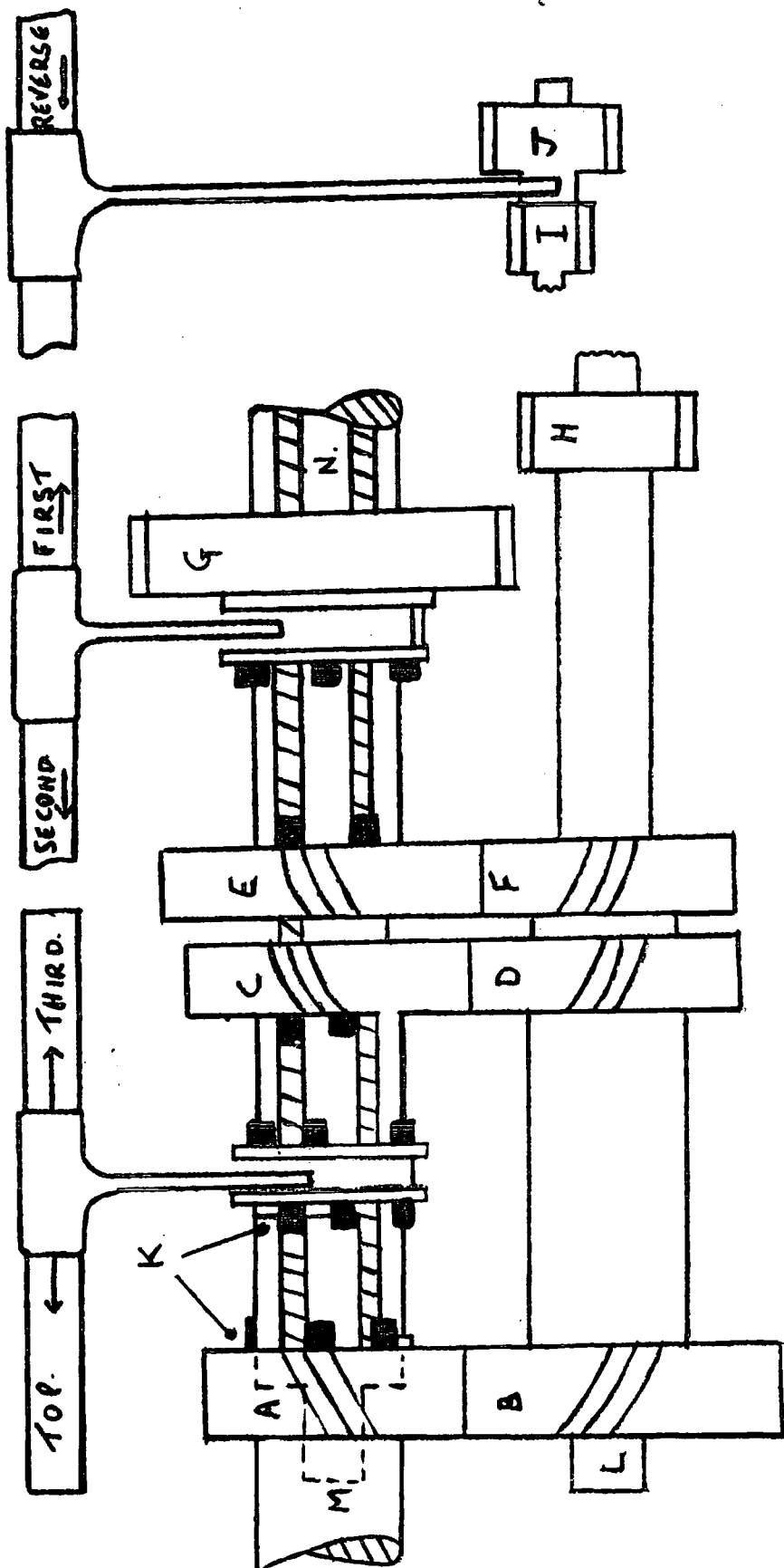
- 4) The function of a reverse idler gear in a gearbox is to
- (a) increase the speed of the mainshaft
 - (b) change the direction of rotation of the mainshaft
 - (c) enable the driver to select reverse quietly
 - (d) change the direction of rotation of the layshaft
- 5) The gearbox on a conventional motor vehicle is fitted
- (a) behind the rear axle
 - (b) under the engine
 - (c) between the clutch and propshaft
 - (d) in front of the engine
- 6) The major shafts fitted to a transmission gearbox are:
- (a) 1) Rack 2) Pinion 3) Rocker shaft
 - (b) 1) Mainshaft 2) Layshaft 3) Primary shaft
 - (c) 1) Crankshaft 2) Camshaft 3) Idler shaft
 - (d) 1) Cross shaft 2) Halfshaft 3) Propshaft
- 7) Constant mesh gears are those gears which
- (a) do not require changing
 - (b) are running together permanently
 - (c) have straight cut spur teeth
 - (d) synchronise engine and road speed
- 8) The input shaft of a gearbox rotates at 3500 rev/min. If the gear reduction is 2.8:1, the speed of the output shaft would be
- (a) 550 rev/min
 - (b) 950 rev/min
 - (c) 1250 rev/min
 - (d) 2050 rev/ min

- 9) The gear ratio shown in the sketch below is
- (a) 1:1 (c) 3:1
- (b) 2:1 (d) 4:1



ANSWER THE FOLLOWING QUESTIONS BY COMPLETING THE SENTENCES

- 10) With reference to their design, the type of gears indicated by the letters A, B, C, D, E, and F are _____ gears.
- 11) With reference to their design, the type of gears indicated by the letters G, H, and J are _____ gears.
- 12) The type of clutch indicated by the letter K, is a _____ clutch.
- 13) The shaft, indicated by the letter L, is the _____ shaft.
- 14) The shaft, indicated by the letter M, is the _____ shaft.
- 15) The shaft, indicated by the letter N, is the _____ shaft.



FOUR SPEED CONSTANT MESH GEARBOX

APPENDIX 5

STUDENT EVALUATION TESTS (CATEGORY 3)

C.S.E. TECHNICAL STUDIES

NAME: _____

TEST NO. 1

M O T O R E N G I N E E R I N G

Clutch and Transmission

1. The transmission clutch fitted on most vehicles is a
 - (a) dog clutch
 - (b) friction clutch
 - (c) centrifugal clutch
 - (d) carbon clutch

2. A clutch trust bearing
 - (a) releases the clutch when the wear on the lining is excessive
 - (b) releases the clutch when the load on the engine is heavy
 - (c) is fitted to the clutch fork and releases the clutch
 - (d) allows the car to free wheel down hills

3. The main function of the clutch is to
 - (a) make and break the drive
 - (b) increase engine torque
 - (c) decrease engine torque
 - (d) start the engine

4. The driven plate of a conventional single plate clutch is
 - (a) splined to the gearbox primary shaft
 - (b) splined to the engine flywheel
 - (c) mounted between the cover and the thrust springs
 - (d) bolted to the engine flywheel

5. SEE FIG. 2

Figure 2 shows a Single Plate Friction Clutch. Complete the following statements.

- (i) the part labelled 'A' is _____
- (ii) the part labelled 'B' is _____

MARKS

1

1

1

1

		<u>MARKS</u>
5.	(iii) the part labelled 'C' is _____ (iv) the part labelled 'D' is _____	4
6.	When the smallest gear on the layshaft is engaged with the largest gear on the mainshaft the gear selected is (a) third (b) second (c) first (d) reverse	1
7.	A gearbox is fitted in a motor vehicle to (a) limit the top speed of the engine (b) increase engine torque (c) decrease engine torque (d) enable the engine to be used as a brake	1
8.	A sliding mesh gear is fitted to a (a) steering box (b) gearbox (c) rear axle differential (d) clutch mechanism	1
9.	The gearbox on a conventional motor vehicle is fitted (a) behind the rear axle (b) under the engine (c) between the clutch and propshaft (d) in front of the engine	1
10.	The major shafts fitted to a transmission gearbox are: (a) (i) Rack (ii) Pinion (iii) Rocker-shaft (b) (i) Main shaft (ii) Layshaft (iii) Primary shaft (c) (i) Crankshaft (ii) Camshaft (iii) Idler shaft (d) (i) Cross-shaft (ii) Halfshaft (iii) Propshaft	1
11.	The term "Clutch Slip" means that (a) The engine is transmitting maximum power (b) Judder is produced when releasing the clutch (c) The engine power is not transmitted through the clutch (d) Gear selection is impossible	1
12.	Constant mesh gears are those gears which (a) Do not require changing (b) Are running together permanently (c) Have straight cut spur teeth (d) Synchronise engine and road speed	1

MARKS

13. When a car is fitted with automatic transmission the driver

- (a) changes gear by depressing the clutch
- (b) will be able to record more miles per gallon
- (c) no longer needs to operate the clutch or gearchange
- (d) starts the engine in the drive 'D' position

1

14. Reverse gear is obtained in a gearbox by

- (a) fitting a transfer box behind the main gearbox
- (b) selecting the neutral position
- (c) fitting constant mesh gears
- (d) by transmitting drive through an idler gear

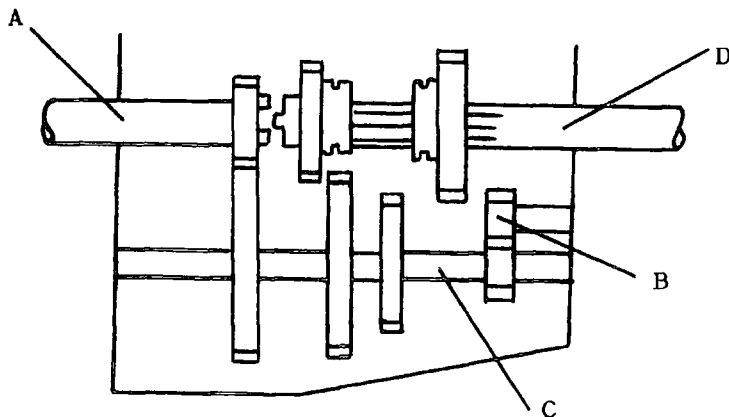
1

15. If the vehicle is to be kept moving at a constant speed and a lower gear is selected the engine will

- (a) increase in speed
- (b) decrease in speed
- (c) blow up
- (d) remain at the same speed

1

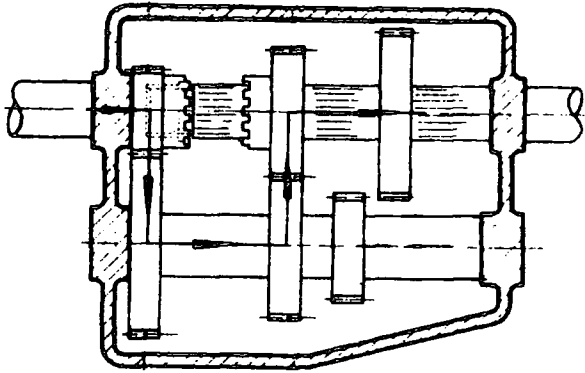
16. Shown below is a three speed sliding mesh gearbox. Indicate in the space provided the mainshaft, layshaft, spigot shaft and reverse idler



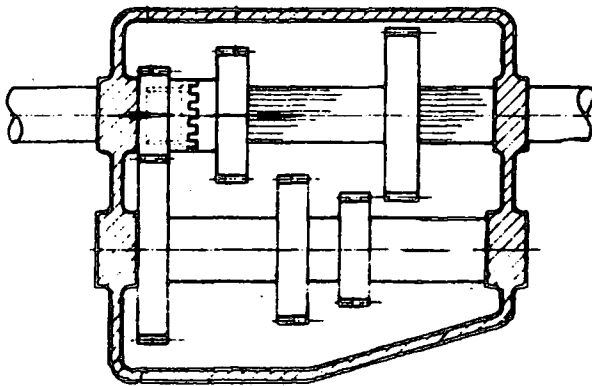
- A _____
- B _____
- C _____
- D _____

4

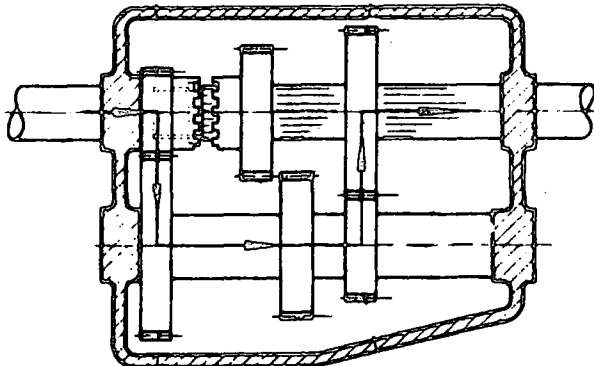
17. From the sketches below indicate in the space provided what gear has been selected.



A _____



B _____



C _____

MARKS

1

1

1

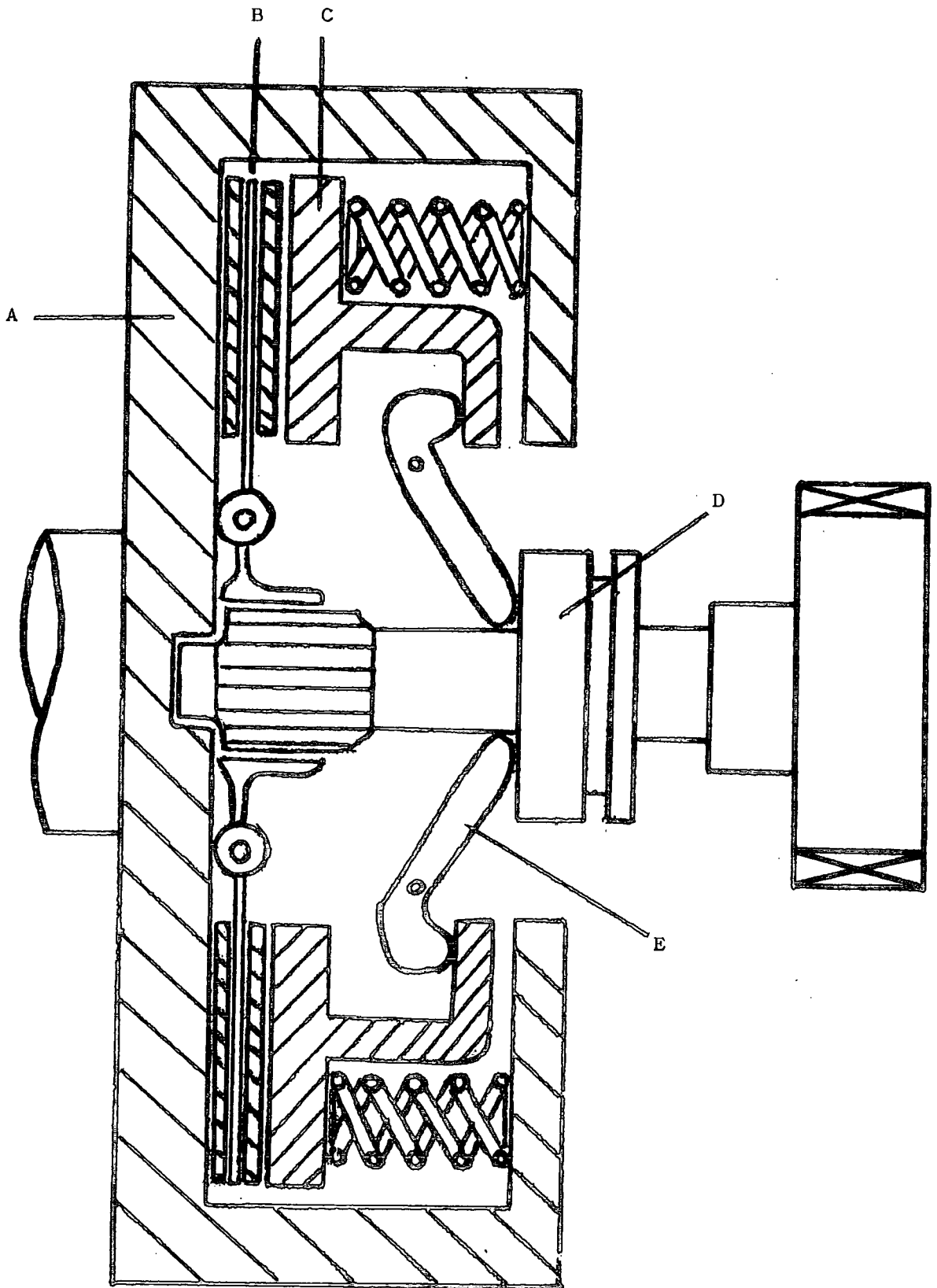


FIG. 2

TEST NO. 2

C.S.E. TECHNICAL STUDIES

NAME: _____

M O T O R E N G I N E E R I N G

		<u>MARKS</u>
1.	The type of universal joint fitted to a motor vehicle propellor shaft is a (a) Ball joint (b) Hooks joint (c) Square drive (d) splined	1
2.	A sliding joint is fitted to a propshaft to (a) keep the shaft rigid (b) enable the driver to change speed (c) allow the shaft to change length (c) provide a variable speed at the axle	1
3.	Water circulates in a cooling system by means of (a) cylinder pressures (b) radiation (c) frictional forces (d) convection currents	1
4.	The heat is transferred from the radiator to the air by (a) conduction (b) radiation (c) convection (d) insulation	1
5.	Friction between moving parts of a motor vehicle engine is reduced by (a) the choice of suitable materials (b) forced feed lubrication (c) adding water to the oil (d) introducing gears	1
6.	The words Crown Wheel Pinion, Differential are associated with the (a) engine (b) gearbox (c) wheel hubs (d) rear axle	1

		<u>MARKS</u>
7.	Transfer of the drive through 90° to the axle shafts is achieved by fitting a (a) rack and pinion (b) crown wheel and pinion (c) cam and peg (d) flexible coupling	1
8.	One purpose of the crown wheel and pinions is to provide (a) means of joining the axle to the brake plate (b) method by which the clutch will slip (c) permanent gear reduction (d) means of turning corners	1
9.	The purpose of the differential is to enable (a) the driving wheels to be locked together (b) the driving wheels to be driven at different speeds (c) a difference in front and rear road speed to be achieved (d) a free-wheel to be achieved	1
10.	One disadvantage of a differential is (a) its weight (b) it will not slip on slippery surfaces (c) the cost involved in its manufacture (d) when driving on a slippery surface one wheel skids	1
11.	To make possible the rapid cooling necessary on an air cooling engine (a) Additional water is added to the cooling system (b) The area of the cylinder is reduced (c) Fins are cast on the whole of the cylinder (d) High octane fuel must be used	1
12.	If a certain crown wheel had 32 teeth and the pinion 8 teeth the gear ratio would be (a) 2:1 (b) 4:1 (c) 6:1 (d) 8:1	1
13.	A propellor shaft is usually found (a) on a front engine front wheel drive vehicle (b) on a rear engine rear wheel drive vehicle (c) on a conventional, or front engine rear wheel drive vehicle (d) between a vehicle and its trailer	1

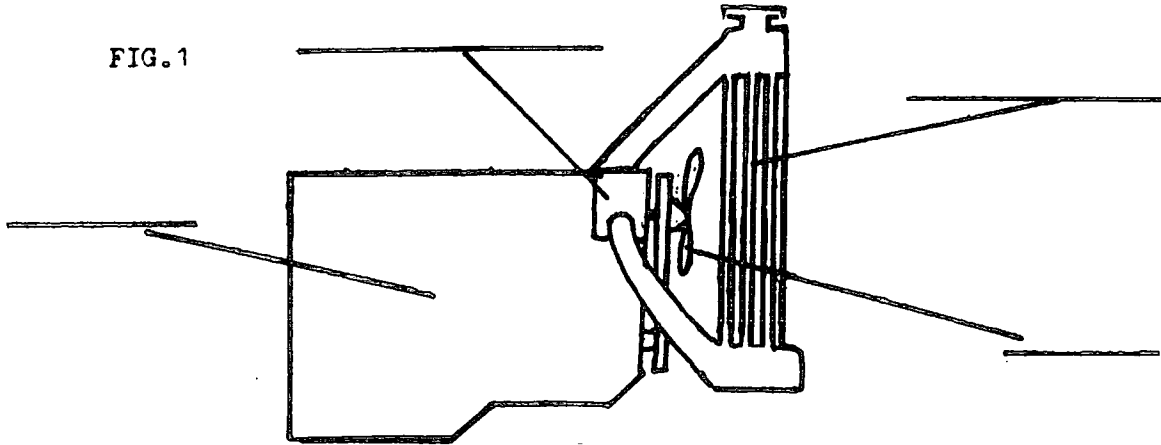
MARKS

14. (a) Fig. 1 is a sketch of a motor vehicle cooling system incorporating radiator, engine block, water pump and fan; place the correct name in the space provided.
- (b) In which direction will the water flow through the radiator
- (i) top to bottom
- (ii) bottom to top

3

1

FIG.1



15. Select the name for the parts arrowed in the drawing below and place on the appropriate line:-

CROWN WHEEL, HALF SHAFT, PINION, SUNWHEEL, PLANET WHEEL AND PLANET CARRIER

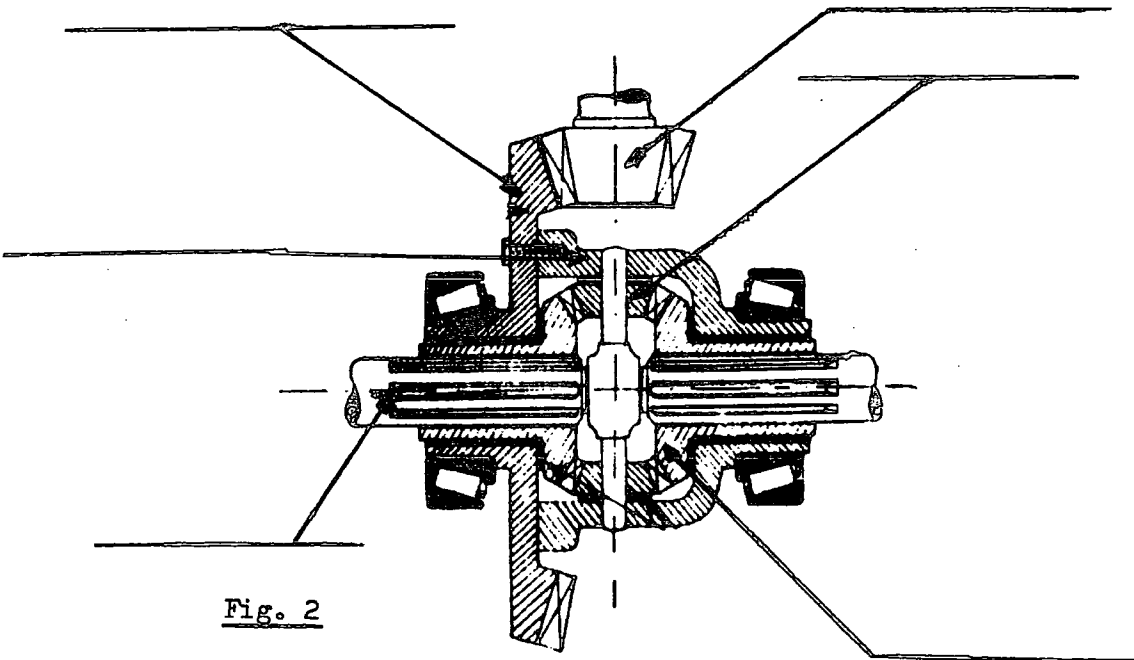


Fig. 2

6

MARKS

16. A propellor shaft is made out of hollow tube to:

- (a) transmit more drive
- (b) save weight
- (c) allow oil to be pumped through it
- (d) make it easier to fit the universal joint

1

17. When rounding a right hand corner:

- (a) the inside wheel will rotate faster than the other
- (b) the wheels will rotate at the same speed
- (c) one wheel will skid
- (d) the outside wheel will rotate faster than the inner

1

APPENDIX 6

SPECIFIC OBJECTIVES (STUDENT LEARNING OUTCOMES)

SUBJECT

T H E G E A R B O X

1. Given a sketch showing the relative position of a vehicle's major units, states which is the gearbox.
2. States how the gearbox is secured in position.
3. Explains the engine and load conditions which demand the use of a gearbox.
4. Explains the operation of a three speed sliding-mesh gearbox.
5. Knows the physical action required to operate the gearbox.
6. Given a sketch of a three speed sliding-mesh gearbox is able to name all the main parts.
7. Given sketches showing the various gear positions of a three speed sliding-mesh gearbox, is able to indicate the gear selected.
8. Calculates from a fully specified gearbox the ratios of all gear positions.
9. Explains the main reasons for the necessity of a neutral gear position.
10. States the main reason why compound gear trains are used in vehicle gearboxes.
11. States by what means reverse gear is selected.
12. Explains how the use of a gear stick as a large movement of a small effort can be used to obtain a small movement of a large load.
13. Explains the relationship between gear ratio selected and engine revolution/vehicle road speed.
14. Knows the reasons for the use of helical gears in gearbox construction.
15. Knows the reasons for the use of spur gears in gearbox construction.
16. Knows why gear changing is easier when a synchromesh device has been fitted to the gearbox.
17. Knows the physical operational differences between driving a vehicle fitted with a manual gearbox and driving a vehicle fitted with an automatic gearbox.

SPECIFIC OBJECTIVES (STUDENT LEARNING OUTCOMES)

SUBJECT

T H E C L U T C H

1. Given a sketch showing the relative positions of a vehicle's major units, states which is the clutch.
2. States the engine characteristics which makes the need for a clutch essential.
3. States the operational advantages of fitting a friction clutch to a vehicle.
4. States the type of clutch fitted to most vehicles.
5. Knows the physical action required to operate the clutch.
6. Given a sketch showing a simple single plate clutch and operating mechanism, is able to name the main parts.
7. Explains the operation of a simple single plate clutch.
8. Recognises the different design features of diaphragm spring and helical spring single plate clutches.
9. Explains the purpose for the clutch thrust/release bearing.
10. Knows what friction material is used on the clutch driven plate.
11. Explains the reason why a slight free movement of the clutch pedal is necessary on most vehicles.
12. Explains the construction of a modern clutch driven plate.
13. Knows what is meant by 'clutch slip'.
14. Knows what is meant by 'clutch drag'.
15. Explains by what means adjustment can be made to a mechanically operated single plate clutch.
16. Explains by what means adjustment can be made to a hydraulically operated clutch.

SPECIFIC OBJECTIVES (STUDENT LEARNING OUTCOME)

Subject

T R A N S M I S S I O N

- (1) Given a line diagram showing a conventional vehicle's transmission, is able to identify all the main components.
- (2) States the purpose of the propeller shaft.
- (3) Describes the function of a Hooke's type universal joint.
- (4) Describes the purpose of a splined sliding joint.
- (5) States on what type of vehicle layout a propeller shaft is to be found.
- (6) Given a sketch of the crown wheel and differential assembly is able to identify the main components.
- (7) States the function of the differential.
- (8) Describes the operational action of the differential gears.
- (9) Explains how to work out rear axle gear ratios.

SPECIFIC OBJECTIVES (STUDENT LEARNING OUTCOMES)

Subject

T H E C O O L I N G S Y S T E M

- (1) Explains the reason why some form of engine cooling is necessary.
- (2) Explains the advantages and disadvantages of air cooled systems.
- (3) Shows by means of a sketch how a typical air cooled system works.
- (4) Distinguishes between a thermo-syphon cooling system and a water pump assisted cooling system.
- (5) States how a typical modern water cooled system operates.
- (6) Explains the advantages and disadvantages of a modern water cooled system.
- (7) Explains by what means water circulates in a thermo-syphon cooling system.
- (8) Given a sketch showing a pump assisted water cooled system is able to identify all the main components.
- (9) States the function of the radiator.
- (10) Defines the direction of water flow through the radiator.
- (11) Shows by means of sketches the construction of radiators.
- (12) Defines the purpose of fitting a pressurised radiator cap.
- (13) Explains by what means heat is transferred from the radiator to the air.
- (14) States the function of the thermostat.

- (15) States the function of the water pump.
- (16) Describes how the coolant (water) in the cooling system is prevented from freezing in the winter months.
- (17) Explains the safety precautions to adopt when removing the radiator cap.

APPENDIX 7

SIGNIFICANT CORRELATIONS (LECTURERS)

CORRELATION

ALL FIGURES ARE SIGNIFICANT AT THE 0.01% LEVEL
V=74 D.F. THROUGHOUT

Q 1 AND Q 3 CORR= .3349	Q 1 AND Q 79 CORR= .321267	Q 3 AND Q 35 CORR=-.320361
Q 1 AND Q 4 CORR= .342543	Q 1 AND Q 82 CORR= .339336	Q 3 AND Q 46 CORR= .374414
Q 1 AND Q 21 CORR= .323533	Q 2 AND Q 3 CORR=-.333505	Q 3 AND Q 66 CORR= .310929
Q 1 AND Q 23 CORR= .302562	Q 2 AND Q 15 CORR=-.33605	Q 3 AND Q 67 CORR= .31412
Q 1 AND Q 26 CORR= .421546	Q 2 AND Q 32 CORR= .368327	Q 3 AND Q 69 CORR= .399145
Q 1 AND Q 33 CORR= .292377	Q 2 AND Q 35 CORR= .310699	Q 3 AND Q 85 CORR= .370543
Q 1 AND Q 37 CORR= .31465	Q 2 AND Q 53 CORR= .366944	Q 4 AND Q 5 CORR= .298203
Q 1 AND Q 40 CORR= .395409	Q 3 AND Q 4 CORR= .424328	Q 4 AND Q 21 CORR= .385601
Q 1 AND Q 41 CORR= .301037	Q 3 AND Q 5 CORR= .359257	Q 4 AND Q 34 CORR= .302134
Q 1 AND Q 49 CORR= .305997	Q 3 AND Q 9 CORR= .3396	Q 4 AND Q 37 CORR= .31906
Q 1 AND Q 51 CORR= .415003	Q 3 AND Q 10 CORR=-.421029	Q 4 AND Q 43 CORR= .345514
Q 1 AND Q 52 CORR= .340315	Q 3 AND Q 11 CORR=-.389519	Q 4 AND Q 49 CORR= .368892
Q 1 AND Q 54 CORR= .372031	Q 3 AND Q 15 CORR= .300262	Q 4 AND Q 50 CORR= .405492
Q 1 AND Q 56 CORR= .363406	Q 3 AND Q 21 CORR= .294253	Q 4 AND Q 54 CORR= .349637
Q 1 AND Q 68 CORR= .350647		

Q 4 AND Q 55
CORR= .307522

Q 7 AND Q 14
CORR= .301213

Q 11 AND Q 31
CORR=-.31271

Q 4 AND Q 56
CORR= .355793

Q 7 AND Q 23
CORR= .297916

Q 12 AND Q 15
CORR= .383336

Q 4 AND Q 67
CORR= .334908

Q 8 AND Q 9
CORR= .36949

Q 12 AND Q 36
CORR=-.423053

Q 4 AND Q 69
CORR= .358141

Q 8 AND Q 15
CORR= .315711

Q 12 AND Q 86
CORR= .293679

Q 4 AND Q 71
CORR= .320314

Q 8 AND Q 28
CORR= .321411

Q 13 AND Q 19
CORR= .315867

Q 4 AND Q 72
CORR= .291504

Q 8 AND Q 39
CORR= .321737

Q 13 AND Q 29
CORR= .345353

Q 4 AND Q 88
CORR= .304683

Q 9 AND Q 12
CORR= .30909

Q 13 AND Q 33
CORR= .402146

Q 4 AND Q 39
CORR= .325261

Q 9 AND Q 15
CORR= .423323

Q 13 AND Q 53
CORR= .315265

Q 5 AND Q 3
CORR= .484041

Q 9 AND Q 36
CORR=-.303409

Q 15 AND Q 46
CORR= .297409

Q 5 AND Q 9
CORR= .503365

Q 9 AND Q 66
CORR= .340463

Q 15 AND Q 89
CORR= .313145

Q 5 AND Q 15
CORR= .367213

Q 10 AND Q 11
CORR= .400933

Q 16 AND Q 19
CORR=-.312982

Q 5 AND Q 66
CORR= .297533

Q 10 AND Q 64
CORR=-.320043

Q 16 AND Q 42
CORR= .315919

Q 5 AND Q 67
CORR= .296327

Q 10 AND Q 66
CORR=-.298943

Q 16 AND Q 62
CORR= .290399

Q 6 AND Q 43
CORR=-.355343

Q 11 AND Q 13
CORR= .333617

Q 16 AND Q 64
CORR= .314001

Q 6 AND Q 63
CORR= .41521

Q 11 AND Q 14
CORR= .33324

Q 16 AND Q 83
CORR= .31144

Q 18 AND Q 64 CORR= .316243	Q 22 AND Q 23 CORR= .42639	Q 26 AND Q 27 CORR= .424299
Q 18 AND Q 69 CORR= .350637	Q 22 AND Q 68 CORR= .35027	Q 26 AND Q 31 CORR= .34751
Q 19 AND Q 57 CORR=-.34317	Q 23 AND Q 63 CORR= .291336	Q 26 AND Q 33 CORR= .420898
Q 19 AND Q 75 CORR= .311166	Q 23 AND Q 67 CORR= .323682	Q 26 AND Q 36 CORR= .400236
Q 20 AND Q 54 CORR= .304449	Q 23 AND Q 69 CORR= .420734	Q 26 AND Q 37 CORR= .53987
Q 20 AND Q 32 CORR= .297631	Q 23 AND Q 72 CORR= .296637	Q 26 AND Q 40 CORR= .463975
Q 20 AND Q 33 CORR= .517046	Q 23 AND Q 74 CORR= .336074	Q 26 AND Q 41 CORR= .365413
Q 21 AND Q 23 CORR= .372231	Q 23 AND Q 75 CORR= .315173	Q 26 AND Q 49 CORR= .316642
Q 21 AND Q 37 CORR= .469632	Q 24 AND Q 52 CORR= .291977	Q 26 AND Q 51 CORR= .335707
Q 21 AND Q 50 CORR= .3263	Q 24 AND Q 57 CORR= .339322	Q 26 AND Q 56 CORR= .34854
Q 21 AND Q 51 CORR= .368556	Q 24 AND Q 59 CORR= .311924	Q 26 AND Q 57 CORR= .293865
Q 21 AND Q 57 CORR= .3247	Q 25 AND Q 29 CORR= .315349	Q 26 AND Q 61 CORR= .312595
Q 21 AND Q 69 CORR= .333637	Q 25 AND Q 30 CORR= .311827	Q 26 AND Q 79 CORR= .337869
Q 21 AND Q 79 CORR= .309453	Q 25 AND Q 59 CORR= .294234	Q 27 AND Q 31 CORR= .415751
Q 21 AND Q 86 CORR= .373496	Q 25 AND Q 37 CORR=-.298166	Q 27 AND Q 37 CORR= .318453
		Q 27 AND Q 43 CORR= .299057

FAQ 28 AND Q 29
CORR= .347956

Q 32 AND Q 35
CORR= .308782

Q 34 AND Q 38
CORR= .295627

Q 23 AND Q 30
CORR= .422337

Q 32 AND Q 41
CORR= .347813

Q 34 AND Q 39
CORR= .395832

Q 23 AND Q 59
CORR= .291728

Q 32 AND Q 60
CORR= -.32735

Q 34 AND Q 40
CORR= .306615

Q 28 AND Q 76
CORR= .369264

Q 33 AND Q 34
CORR= .295241

Q 34 AND Q 43
CORR= .372948

Q 29 AND Q 30
CORR= .494908

Q 33 AND Q 36
CORR= .4153

Q 34 AND Q 52
CORR= .292436

Q 29 AND Q 70
CORR= .337494

Q 33 AND Q 37
CORR= .432731

Q 34 AND Q 55
CORR= .359461

Q 30 AND Q 57
CORR= .322232

Q 33 AND Q 38
CORR= .540166

Q 34 AND Q 71
CORR= .312103

Q 30 AND Q 59
CORR= .33005

Q 33 AND Q 40
CORR= .522376

Q 34 AND Q 74
CORR= .311192

Q 30 AND Q 63
CORR= .321384

Q 33 AND Q 41
CORR= .397233

Q 34 AND Q 89
CORR= .290336

Q 30 AND Q 65
CORR= .343179

Q 33 AND Q 49
CORR= .385549

Q 36 AND Q 37
CORR= .354351

Q 30 AND Q 70
CORR= .410155

Q 33 AND Q 51
CORR= .344406

Q 36 AND Q 40
CORR= .369343

Q 30 AND Q 84
CORR= .39011

Q 33 AND Q 53
CORR= .326854

Q 36 AND Q 41
CORR= .469279

Q 30 AND Q 85
CORR= .402076

Q 33 AND Q 54
CORR= .367743

Q 36 AND Q 49
CORR= .336661

Q 31 AND Q 40
CORR= .313004

Q 33 AND Q 56
CORR= .333112

Q 36 AND Q 51
CORR= .4114

Q 31 AND Q 41
CORR= .33075

Q 33 AND Q 59
CORR= .453199

Q 36 AND Q 54
CORR= .390187

Q 33 AND Q 83
CORR= .312423

Q 36 AND Q 56 CORR= .330503	Q 38 AND Q 39 CORR= .341518	Q 40 AND Q 83 CORR= .371411
Q 36 AND Q 59 CORR= .295326	Q 38 AND Q 40 CORR= .490519	Q 41 AND Q 42 CORR= .525632
Q 37 AND Q 40 CORR= .306435	Q 38 AND Q 49 CORR= .309035	Q 41 AND Q 43 CORR= .339032
Q 37 AND Q 41 CORR= .36796	Q 38 AND Q 53 CORR= .304611	Q 41 AND Q 51 CORR= .39652
Q 37 AND Q 42 CORR= .291137	Q 38 AND Q 59 CORR= .31709	Q 41 AND Q 54 CORR= .30567
Q 37 AND Q 49 CORR= .336225	Q 39 AND Q 41 CORR= .303403	Q 41 AND Q 56 CORR= .293087
Q 37 AND Q 51 CORR= .329406	Q 39 AND Q 42 CORR= .34865	Q 41 AND Q 59 CORR= .297863
Q 37 AND Q 52 CORR= .352976	Q 39 AND Q 43 CORR= .34324	Q 41 AND Q 76 CORR= .401064
Q 37 AND Q 53 CORR= .315194	Q 39 AND Q 45 CORR= .333873	Q 41 AND Q 79 CORR= .386447
Q 37 AND Q 54 CORR= .459742	Q 39 AND Q 55 CORR= .372935	Q 42 AND Q 45 CORR= .290266
Q 37 AND Q 56 CORR= .449614	Q 39 AND Q 73 CORR= .322104	Q 42 AND Q 49 CORR= .310225
Q 37 AND Q 57 CORR= .413771	Q 40 AND Q 41 CORR= .342754	Q 42 AND Q 51 CORR= .403883
Q 37 AND Q 59 CORR= .333151	Q 40 AND Q 43 CORR= .400125	Q 42 AND Q 54 CORR= .315363
Q 37 AND Q 79 CORR= .42952	Q 40 AND Q 49 CORR= .295843	Q 42 AND Q 57 CORR= .319532
Q 37 AND Q 36 CORR= .275239	Q 40 AND Q 51 CORR= .414525	Q 42 AND Q 65 CORR= .323312
Q 37 AND Q 83 CORR= .503497	Q 40 AND Q 56 CORR= .418225	Q 42 AND Q 76 CORR= .365328

Q 42 AND Q 79 CORR= .308394	Q 49 AND Q 51 CORR= .37927	Q 50 AND Q 65 CORR= .298104
Q 43 AND Q 49 CORR= .325482	Q 49 AND Q 52 CORR= .411724	Q 50 AND Q 69 CORR= .333334
Q 43 AND Q 50 CORR= .30173	Q 49 AND Q 54 CORR= .628214	Q 50 AND Q 70 CORR= .296135
Q 43 AND Q 52 CORR= .405303	Q 49 AND Q 55 CORR= .311675	Q 50 AND Q 76 CORR= .388133
Q 43 AND Q 76 CORR= .322282	Q 49 AND Q 56 CORR= .460012	Q 50 AND Q 77 CORR= .4246
Q 43 AND Q 33 CORR= .296173	Q 49 AND Q 57 CORR= .392942	Q 50 AND Q 80 CORR= .324121
Q 44 AND Q 46 CORR= .322248	Q 49 AND Q 59 CORR= .378756	Q 50 AND Q 86 CORR= .409808
Q 44 AND Q 62 CORR= .298435	Q 50 AND Q 51 CORR= .467955	Q 51 AND Q 52 CORR= .31461
Q 44 AND Q 38 CORR= .325827	Q 50 AND Q 52 CORR= .351417	Q 51 AND Q 54 CORR= .485254
Q 46 AND Q 59 CORR= .341001	Q 50 AND Q 54 CORR= .346492	Q 51 AND Q 56 CORR= .432924
Q 46 AND Q 64 CORR= .393006	Q 50 AND Q 56 CORR= .373535	Q 51 AND Q 57 CORR= .466081
Q 46 AND Q 68 CORR= .360132	Q 50 AND Q 57 CORR= .429461	Q 51 AND Q 71 CORR= .360842
Q 46 AND Q 35 CORR= .31943	Q 50 AND Q 53 CORR= .459813	Q 51 AND Q 79 CORR= .517523
Q 49 AND Q 50 CORR= .438626	Q 50 AND Q 59 CORR= .35661	Q 51 AND Q 86 CORR= .368377
	Q 50 AND Q 61 CORR= .330263	Q 51 AND Q 33 CORR= .442029
	Q 50 AND Q 64 CORR= .411835	Q 52 AND Q 54 CORR= .366334

Q 52 AND Q 56
CORR= .402048

Q 56 AND Q 57
CORR= .332734

Q 59 AND Q 70
CORR= .326107

Q 52 AND Q 57
CORR= .321981

Q 56 AND Q 59
CORR= .302204

Q 59 AND Q 77
CORR= .291962

Q 52 AND Q 59
CORR= .303029

Q 56 AND Q 83
CORR= .33735

Q 59 AND Q 80
CORR= .344499

Q 52 AND Q 61
CORR= .377523

Q 57 AND Q 59
CORR= .435901

Q 59 AND Q 87
CORR= .292065

Q 52 AND Q 68
CORR= .297431

Q 57 AND Q 61
CORR= .323523

Q 61 AND Q 70
CORR= .325371

Q 52 AND Q 74
CORR= .306913

Q 57 AND Q 79
CORR= .42331

Q 61 AND Q 79
CORR= .397641

Q 52 AND Q 79
CORR= .372436

Q 57 AND Q 84
CORR= .471636

Q 61 AND Q 80
CORR= .311171

Q 52 AND Q 87
CORR= .29552

Q 57 AND Q 86
CORR= .369189

Q 62 AND Q 63
CORR= .539056

Q 52 AND Q 83
CORR= .304567

Q 58 AND Q 59
CORR= .352776

Q 62 AND Q 64
CORR= .500077

Q 54 AND Q 56
CORR= .533135

Q 58 AND Q 62
CORR= .386101

Q 62 AND Q 69
CORR= .430653

Q 54 AND Q 57
CORR= .33

Q 58 AND Q 63
CORR= .50159

Q 62 AND Q 74
CORR= .33196

Q 54 AND Q 59
CORR= .362155

Q 58 AND Q 64
CORR= .510697

Q 62 AND Q 75
CORR= .465986

Q 54 AND Q 71
CORR= .343163

Q 59 AND Q 60
CORR= .347616

Q 63 AND Q 64
CORR= .556721

Q 54 AND Q 79
CORR= .342251

Q 59 AND Q 61
CORR= .344135

Q 63 AND Q 68
CORR= .311785

Q 54 AND Q 88
CORR= .436258

Q 59 AND Q 64
CORR= .390066

Q 63 AND Q 75
CORR= .380594

Q 64 AND Q 69
CORR= .403769

Q 69 AND Q 72
CORR= .407318

Q 76 AND Q 79
CORR= .497456

Q 64 AND Q 74
CORR= .326326

Q 69 AND Q 74
CORR= .542311

Q 76 AND Q 86
CORR= .304461

Q 64 AND Q 75
CORR= .313274

Q 69 AND Q 75
CORR= .306333

Q 76 AND Q 89
CORR= .456636

Q 64 AND Q 76
CORR= .369981

Q 69 AND Q 79
CORR= .316388

Q 77 AND Q 78
CORR= .411275

Q 64 AND Q 80
CORR= .324735

Q 69 AND Q 80
CORR= .320477

Q 77 AND Q 80
CORR= .475458

Q 65 AND Q 70
CORR= .470555

Q 69 AND Q 86
CORR= .399678

Q 77 AND Q 81
CORR= .313718

Q 65 AND Q 76
CORR= .421201

Q 69 AND Q 89
CORR= .405355

Q 77 AND Q 86
CORR= .422049

Q 66 AND Q 67
CORR= .485789

Q 70 AND Q 76
CORR= .443664

Q 73 AND Q 81
CORR= .435787

Q 66 AND Q 71
CORR= .473633

Q 70 AND Q 77
CORR= .304209

Q 79 AND Q 80
CORR= .351366

Q 66 AND Q 72
CORR= .354015

Q 70 AND Q 83
CORR= .314318

Q 79 AND Q 84
CORR= .301805

Q 67 AND Q 69
CORR= .421436

Q 71 AND Q 72
CORR= .665827

Q 79 AND Q 85
CORR= .366504

Q 67 AND Q 71
CORR= .434263

Q 71 AND Q 74
CORR= .40132

Q 79 AND Q 86
CORR= .456636

Q 67 AND Q 72
CORR= .619532

Q 71 AND Q 79
CORR= .341968

Q 79 AND Q 87
CORR= .300588

Q 67 AND Q 74
CORR= .394684

Q 72 AND Q 74
CORR= .594716

Q 79 AND Q 88
CORR= .44044

Q 68 AND Q 73
CORR= .605716

Q 79 AND Q 89
CORR= .304122

Q 75 AND Q 81
CORR= .32168

Q 80 AND Q 81
CORR= .377738

Q 86 AND Q 87
CORR= .382344

Q 80 AND Q 85
CORR= .365765

Q 86 AND Q 88
CORR= .456963

Q 80 AND Q 86
CORR= .438544

Q 86 AND Q 89
CORR= .459589

Q 80 AND Q 87
CORR= .461388

Q 87 AND Q 88
CORR= .4915

Q 81 AND Q 36
CORR= .345433

Q 83 AND Q 86
CORR= .333631

Q 83 AND Q 39
CORR= .365972

Q 84 AND Q 85
CORR= .594653

Q 84 AND Q 86
CORR= .410461

Q 84 AND Q 87
CORR= .319054

Q 84 AND Q 88
CORR= .303001

Q 85 AND Q 86
CORR= .461176

Q 85 AND Q 87
CORR= .507653

Q 85 AND Q 88
CORR= .348835

Q 85 AND Q 89
CORR= .309809

APPENDIX 8 SIGNIFICANT CORRELATIONS (CRAFT STUDENTS UNDER 18 YRS)

All figures are significant at the ϕ .01% Level

V = 92 D.F. THROUGHOUT

Q 2 AND Q 7 CORR= .593554	Q 2 AND Q 37 CORR=-.466762	Q 7 AND Q 19 CORR= .605491
Q 2 AND Q 15 CORR=-.342926	Q 2 AND Q 88 CORR=-.497304	Q 7 AND Q 25 CORR=-.331682
Q 2 AND Q 19 CORR= .552122	Q 3 AND Q 16 CORR= .290673	Q 7 AND Q 31 CORR= .329414
Q 2 AND Q 25 CORR=-.299129	Q 4 AND Q 78 CORR= .315637	Q 7 AND Q 45 CORR= .39453
Q 2 AND Q 27 CORR= .354119	Q 5 AND Q 6 CORR= .523764	Q 7 AND Q 57 CORR=-.311657
Q 2 AND Q 31 CORR= .357621	Q 5 AND Q 7 CORR=-.46098	Q 7 AND Q 58 CORR=-.4804
Q 2 AND Q 45 CORR= .340538	Q 5 AND Q 13 CORR=-.377261	Q 7 AND Q 59 CORR=-.506134
Q 2 AND Q 58 CORR=-.479262	Q 5 AND Q 15 CORR= .403015	Q 7 AND Q 68 CORR=-.301849
Q 2 AND Q 59 CORR=-.295727	Q 5 AND Q 19 CORR=-.379561	Q 7 AND Q 70 CORR=-.303071
Q 2 AND Q 68 CORR=-.32427	Q 5 AND Q 28 CORR= .307213	Q 7 AND Q 73 CORR=-.478424
Q 2 AND Q 73 CORR=-.437005	Q 5 AND Q 58 CORR= .338669	Q 7 AND Q 84 CORR=-.551066
Q 2 AND Q 84 CORR=-.479326	Q 5 AND Q 59 CORR= .386693	Q 7 AND Q 85 CORR=-.560538
Q 2 AND Q 85 CORR=-.361632	Q 5 AND Q 85 CORR= .335936	Q 7 AND Q 86 CORR=-.595373
Q 2 AND Q 86 CORR=-.426199	Q 7 AND Q 15 CORR=-.558458	Q 7 AND Q 87 CORR=-.436812
		Q 7 AND Q 88 CORR=-.632056

Q 8 AND Q 87
CORR= .355625

Q 17 AND Q 39
CORR= .295627

Q 21 AND Q 47
CORR= .402701

Q 9 AND Q 83
CORR=-.390203

Q 19 AND Q 30
CORR=-.322133

Q 22 AND Q 54
CORR=-.29173

Q 10 AND Q 15
CORR=-.32301

Q 19 AND Q 31
CORR= .435455

Q 23 AND Q 40
CORR= .321347

Q 11 AND Q 53
CORR= .294401

Q 19 AND Q 45
CORR= .335281

Q 23 AND Q 51
CORR=-.309041

Q 11 AND Q 68
CORR= .29071

Q 19 AND Q 47
CORR= .397771

Q 24 AND Q 25
CORR= .432893

Q 14 AND Q 82
CORR= .379967

Q 19 AND Q 58
CORR=-.454513

Q 24 AND Q 60
CORR= .30608

Q 15 AND Q 19
CORR=-.330332

Q 19 AND Q 59
CORR=-.388943

Q 24 AND Q 79
CORR= .327237

Q 15 AND Q 53
CORR= .365309

Q 19 AND Q 61
CORR=-.301954

Q 25 AND Q 28
CORR= .373587

Q 15 AND Q 59
CORR= .364443

Q 19 AND Q 72
CORR= .310261

Q 25 AND Q 31
CORR=-.297943

Q 15 AND Q 73
CORR= .31925

Q 19 AND Q 73
CORR=-.446874

Q 25 AND Q 86
CORR= .297129

Q 15 AND Q 84
CORR= .396146

Q 19 AND Q 84
CORR=-.332342

Q 26 AND Q 47
CORR=-.325111

Q 15 AND Q 86
CORR= .356303

Q 19 AND Q 85
CORR=-.527684

Q 26 AND Q 49
CORR= .31243

Q 15 AND Q 83
CORR= .450704

Q 19 AND Q 86
CORR=-.424085

Q 26 AND Q 73
CORR= .312629

Q 16 AND Q 51
CORR= .293274

Q 19 AND Q 87
CORR=-.472638

Q 26 AND Q 84
CORR= .346141

Q 19 AND Q 88
CORR=-.431368

Q 26 AND Q 86
CORR= .319584

Q 32 AND Q 37
CORR= .357074

Q 45 AND Q 52
CORR= .331511

Q 27 AND Q 31
CORR= .306047

Q 33 AND Q 86
CORR= .376119

Q 45 AND Q 82
CORR=-.292165

Q 27 AND Q 58
CORR=-.311633

Q 34 AND Q 56
CORR= .29779

Q 45 AND Q 88
CORR=-.444949

Q 27 AND Q 72
CORR= .305393

Q 34 AND Q 75
CORR= .291267

Q 47 AND Q 51
CORR=-.356201

Q 28 AND Q 56
CORR=-.301426

Q 47 AND Q 73
CORR=-.325588

Q 28 AND Q 70
CORR= .329413

Q 38 AND Q 59
CORR= .292614

Q 48 AND Q 84
CORR= .343998

Q 29 AND Q 62
CORR=-.293937

Q 38 AND Q 83
CORR= .293056

Q 30 AND Q 86
CORR= .35734

Q 38 AND Q 84
CORR= .300422

Q 51 AND Q 65
CORR= .316435

Q 31 AND Q 45
CORR= .314991

Q 40 AND Q 64
CORR= .314333

Q 52 AND Q 69
CORR= .342356

Q 31 AND Q 47
CORR= .427935

Q 42 AND Q 54
CORR= .461098

Q 31 AND Q 58
CORR=-.348302

Q 42 AND Q 83
CORR=-.322409

Q 56 AND Q 83
CORR=-.301501

Q 31 AND Q 72
CORR= .319502

Q 56 AND Q 84
CORR=-.290273

Q 31 AND Q 73
CORR=-.291509

Q 43 AND Q 50
CORR= .333309

Q 57 AND Q 86
CORR= .295501

Q 31 AND Q 87
CORR=-.351941

Q 43 AND Q 64
CORR= .367577

Q 43 AND Q 72
CORR= .292776

Q 58 AND Q 59
CORR= .337151

Q 58 AND Q 65
CORR= .30032

Q 65 AND Q 70
CORR= .373243

Q 75 AND Q 89
CORR= .418997

Q 58 AND Q 68
CORR= .410318

Q 66 AND Q 68
CORR= .410003

Q 77 AND Q 80
CORR= .336522

Q 58 AND Q 73
CORR= .366221

Q 67 AND Q 72
CORR= .339516

Q 77 AND Q 81
CORR= .309638

Q 58 AND Q 84
CORR= .293725

Q 68 AND Q 73
CORR= .33568

Q 78 AND Q 81
CORR= .300357

Q 58 AND Q 35
CORR= .317043

Q 68 AND Q 86
CORR= .292953

Q 58 AND Q 87
CORR= .352323

Q 68 AND Q 87
CORR= .290195

Q 58 AND Q 83
CORR= .332615

Q 83 AND Q 84
CORR= .420431

Q 59 AND Q 84
CORR= .367712

Q 70 AND Q 36
CORR= .322815

Q 84 AND Q 86
CORR= .353362

Q 59 AND Q 86
CORR= .312148

Q 71 AND Q 75
CORR= .305483

Q 84 AND Q 88
CORR= .424594

Q 59 AND Q 88
CORR= .371242

Q 73 AND Q 84
CORR= .361449

Q 85 AND Q 86
CORR= .36477

Q 60 AND Q 62
CORR= .354433

Q 73 AND Q 85
CORR= .338344

Q 85 AND Q 87
CORR= .419917

Q 64 AND Q 71
CORR= .296157

Q 73 AND Q 86
CORR= .34713

Q 85 AND Q 88
CORR= .452657

Q 64 AND Q 89
CORR= .347598

Q 73 AND Q 87
CORR= .324228

Q 86 AND Q 87
CORR= .326066

Q 65 AND Q 68
CORR= .357772

Q 73 AND Q 88
CORR= .517428

Q 86 AND Q 88
CORR= .452066

Q 87 AND Q 88
CORR= .470374

APPENDIX 9 LECTURERS' RESPONSES

QUESTION NUMBER 1
 =====
 MEAN = 3.51351
 N= 74
 VARIANCE = 1.32337
 STD DEV = 1.14137
 RESPONSE FREQUENCY
 1 3
 2 13
 3 18
 4 23
 5 17

QUESTION NUMBER 4
 =====
 MEAN = 3.40541
 N= 74
 VARIANCE = 1.26308
 STD DEV = 1.12609
 RESPONSE FREQUENCY
 1 3
 2 13
 3 25
 4 17
 5 16

QUESTION NUMBER 7
 =====
 MEAN = 3.31031
 N= 74
 VARIANCE = 1.29529
 STD DEV = 1.13311
 RESPONSE FREQUENCY
 1 3
 2 3
 3 19
 4 31
 5 3

QUESTION NUMBER 2
 =====
 MEAN = 3
 N= 74
 VARIANCE = 1.27027
 STD DEV = 1.12766
 RESPONSE FREQUENCY
 1 9
 2 15
 3 22
 4 23
 5 5

QUESTION NUMBER 5
 =====
 MEAN = 2.51351
 N= 74
 VARIANCE = .979547
 STD DEV = .989721
 RESPONSE FREQUENCY
 1 11
 2 28
 3 23
 4 10
 5 2

QUESTION NUMBER 8
 =====
 MEAN = 2.36437
 N= 74
 VARIANCE = .37363
 STD DEV = .934632
 RESPONSE FREQUENCY
 1 3
 2 26
 3 26
 4 16
 5 3

QUESTION NUMBER 3
 =====
 MEAN = 4.01351
 N= 74
 VARIANCE = 1.01333
 STD DEV = 1.00664
 RESPONSE FREQUENCY
 1 1
 2 6
 3 13
 4 25
 5 29

QUESTION NUMBER 6
 =====
 MEAN = 3.02700
 N= 74
 VARIANCE = 1.05332
 STD DEV = 1.02632
 RESPONSE FREQUENCY
 1 5
 2 17
 3 29
 4 17
 5 6

QUESTION NUMBER 9
 =====
 MEAN = 2.93243
 N= 74
 VARIANCE = .98192
 STD DEV = .990919
 RESPONSE FREQUENCY
 1 5
 2 20
 3 23
 4 17
 5 4

QUESTION NUMBER 10
 =====
 MEAN = 2.83784
 N= 74
 VARIANCE = 1.86559
 STD DEV = 1.36587
 RESPONSE FREQUENCY
 1 17
 2 14
 3 18
 4 14
 5 11

QUESTION NUMBER 13
 =====
 MEAN = 2.62162
 N= 74
 VARIANCE = .856331
 STD DEV = .925652
 RESPONSE FREQUENCY
 1 11
 2 16
 3 39
 4 6
 5 2

QUESTION NUMBER 16
 =====
 MEAN = 2.7973
 N= 74
 VARIANCE = 1.51297
 STD DEV = 1.23003
 RESPONSE FREQUENCY
 1 14
 2 16
 3 22
 4 15
 5 7

QUESTION NUMBER 11
 =====
 MEAN = 1.97297
 N= 74
 VARIANCE = .364132
 STD DEV = .929587
 RESPONSE FREQUENCY
 1 27
 2 28
 3 13
 4 6
 5 0

QUESTION NUMBER 14
 =====
 MEAN = 1.75676
 N= 74
 VARIANCE = .724617
 STD DEV = .851245
 RESPONSE FREQUENCY
 1 33
 2 30
 3 8
 4 2
 5 1

QUESTION NUMBER 17
 =====
 MEAN = 3.09459
 N= 74
 VARIANCE = 1.62619
 STD DEV = 1.27522
 RESPONSE FREQUENCY
 1 10
 2 14
 3 22
 4 15
 5 13

QUESTION NUMBER 12
 =====
 MEAN = 2.59459
 N= 74
 VARIANCE = 1.21403
 STD DEV = 1.10183
 RESPONSE FREQUENCY
 1 14
 2 20
 3 26
 4 10
 5 4

QUESTION NUMBER 15
 =====
 MEAN = 2.77027
 N= 74
 VARIANCE = .987767
 STD DEV = .993865
 RESPONSE FREQUENCY
 1 6
 2 25
 3 27
 4 12
 5 4

QUESTION NUMBER 18
 =====
 MEAN = 3.08108
 N= 74
 VARIANCE = .885317
 STD DEV = .940913
 RESPONSE FREQUENCY
 1 4
 2 15
 3 29
 4 23
 5 3

QUESTION NUMBER 19

=====

MEAN = 3.24324

N= 74

VARIANCE = 1.2111

STD DEV = 1.1005

RESPONSE FREQUENCY

1	6
2	9
3	31
4	17
5	11

QUESTION NUMBER 20

=====

MEAN = 2.27027

N= 74

VARIANCE = 1.8729

STD DEV = 1.36854

RESPONSE FREQUENCY

1	31
2	15
3	13
4	7
5	3

QUESTION NUMBER 25

=====

MEAN = 1.33734

N= 74

VARIANCE = .304735

STD DEV = .552073

RESPONSE FREQUENCY

1	52
2	19
3	3
4	0
5	0

QUESTION NUMBER 20

=====

MEAN = 2.37838

N= 74

VARIANCE = 1.40413

STD DEV = 1.18496

RESPONSE FREQUENCY

1	9
2	21
3	20
4	12
5	2

QUESTION NUMBER 23

=====

MEAN = 3.04054

N= 74

VARIANCE = 1.63349

STD DEV = 1.27893

RESPONSE FREQUENCY

1	10
2	16
3	22
4	13
5	13

QUESTION NUMBER 26

=====

MEAN = 3.05405

N= 74

VARIANCE = 1.3214

STD DEV = 1.14952

RESPONSE FREQUENCY

1	7
2	15
3	30
4	11
5	11

QUESTION NUMBER 21

=====

MEAN = 3.60811

N= 74

VARIANCE = 1.23831

STD DEV = 1.1126

RESPONSE FREQUENCY

1	3
2	9
3	21
4	22
5	19

QUESTION NUMBER 24

=====

MEAN = 2.18919

N= 74

VARIANCE = 1.45869

STD DEV = 1.20445

RESPONSE FREQUENCY

1	28
2	20
3	14
4	8
5	4

QUESTION NUMBER 27

=====

MEAN = 3.2027

N= 74

VARIANCE = 1.43189

STD DEV = 1.19661

RESPONSE FREQUENCY

1	8
2	11
3	25
4	18
5	12

QUESTION NUMBER 23
 =====
 MEAN = 1.75676
 N = 74
 VARIANCE = .63759
 STD DEV = .835219
 RESPONSE FREQUENCY
 1 34
 2 27
 3 10
 4 3
 5 0

QUESTION NUMBER 31
 =====
 MEAN = 3.21622
 N = 74
 VARIANCE = 1.41271
 STD DEV = 1.18353
 RESPONSE FREQUENCY
 1 3
 2 3
 3 20
 4 20
 5 11

QUESTION NUMBER 34
 =====
 MEAN = 3.05405
 N = 74
 VARIANCE = .361941
 STD DEV = .923408
 RESPONSE FREQUENCY
 1 2
 2 18
 3 34
 4 14
 5 6

QUESTION NUMBER 29
 =====
 MEAN = 2
 N = 74
 VARIANCE = .864865
 STD DEV = .929981
 RESPONSE FREQUENCY
 1 29
 2 19
 3 23
 4 3
 5 0

QUESTION NUMBER 32
 =====
 MEAN = 2.51081
 N = 74
 VARIANCE = 1.45069
 STD DEV = 1.20445
 RESPONSE FREQUENCY
 1 16
 2 10
 3 24
 4 20
 5 4

QUESTION NUMBER 35
 =====
 MEAN = 2.90541
 N = 74
 VARIANCE = 1.28564
 STD DEV = 1.04194
 RESPONSE FREQUENCY
 1 7
 2 18
 3 29
 4 15
 5 5

QUESTION NUMBER 30
 =====
 MEAN = 1.58108
 N = 74
 VARIANCE = .675861
 STD DEV = .822107
 RESPONSE FREQUENCY
 1 45
 2 17
 3 10
 4 2
 5 0

QUESTION NUMBER 33
 =====
 MEAN = 2.67568
 N = 74
 VARIANCE = .813735
 STD DEV = .902073
 RESPONSE FREQUENCY
 1 7
 2 24
 3 30
 4 12
 5 1

QUESTION NUMBER 36
 =====
 MEAN = 2.82189
 N = 74
 VARIANCE = .907232
 STD DEV = .952487
 RESPONSE FREQUENCY
 1 4
 2 22
 3 30
 4 14
 5 4

QUESTION NUMBER 37
 =====
 MEAN = 3
 N= 74
 VARIANCE = 1.54054
 STD DEV = 1.24119
 RESPONSE FREQUENCY
 1 9
 2 20
 3 17
 4 13
 5 10

QUESTION NUMBER 40
 =====
 MEAN = 2.63513
 N= 74
 VARIANCE = .353361
 STD DEV = .923776
 RESPONSE FREQUENCY
 1 7
 2 27
 3 23
 4 10
 5 2

QUESTION NUMBER 43
 =====
 MEAN = 3.09459
 N= 74
 VARIANCE = 1.24731
 STD DEV = 1.11705
 RESPONSE FREQUENCY
 1 6
 2 17
 3 23
 4 20
 5 3

QUESTION NUMBER 33
 =====
 MEAN = 2.40541
 N= 74
 VARIANCE = 1.21402
 STD DEV = 1.10183
 RESPONSE FREQUENCY
 1 15
 2 31
 3 15
 4 9
 5 4

QUESTION NUMBER 41
 =====
 MEAN = 2.66216
 N= 74
 VARIANCE = .953435
 STD DEV = .97644
 RESPONSE FREQUENCY
 1 3
 2 26
 3 25
 4 13
 5 2

QUESTION NUMBER 44
 =====
 MEAN = 2.83734
 N= 74
 VARIANCE = 1.10334
 STD DEV = 1.05301
 RESPONSE FREQUENCY
 1 7
 2 21
 3 29
 4 11
 5 6

QUESTION NUMBER 39
 =====
 MEAN = 2.32432
 N= 74
 VARIANCE = .759683
 STD DEV = .871598
 RESPONSE FREQUENCY
 1 12
 2 30
 3 23
 4 5
 5 1

QUESTION NUMBER 42
 =====
 MEAN = 2.7973
 N= 74
 VARIANCE = .945398
 STD DEV = .972316
 RESPONSE FREQUENCY
 1 5
 2 25
 3 23
 4 12
 5 4

QUESTION NUMBER 45
 =====
 MEAN = 3.90541
 N= 74
 VARIANCE = 1.27483
 STD DEV = 1.12909
 RESPONSE FREQUENCY
 1 3
 2 3
 3 9
 4 27
 5 27

QUESTION NUMBER 46

=====

MEAN = 2.31081

N = 74

VARIANCE = 1.13313

STD DEV = 1.06448

RESPONSE FREQUENCY

1 16

2 53

3 15

4 6

5 4

QUESTION NUMBER 49

=====

MEAN = 2.67563

N = 74

VARIANCE = .313736

STD DEV = .922073

RESPONSE FREQUENCY

1 5

2 30

3 24

4 14

5 1

QUESTION NUMBER 52

=====

MEAN = 2.85135

N = 74

VARIANCE = .355623

STD DEV = .925354

RESPONSE FREQUENCY

1 4

2 23

3 30

4 14

5 3

QUESTION NUMBER 47

=====

MEAN = 2.45946

N = 74

VARIANCE = 1.57263

STD DEV = 1.25407

RESPONSE FREQUENCY

1 13

2 23

3 11

4 10

5 7

QUESTION NUMBER 53

=====

MEAN = 3.43243

N = 74

VARIANCE = 1.46165

STD DEV = 1.20399

RESPONSE FREQUENCY

1 5

2 13

3 18

4 21

5 17

QUESTION NUMBER 48

=====

MEAN = 2.81031

N = 74

VARIANCE = 1.45069

STD DEV = 1.20445

RESPONSE FREQUENCY

1 11

2 20

3 24

4 10

5 9

QUESTION NUMBER 54

=====

MEAN = 3.02703

N = 74

VARIANCE = 1.45873

STD DEV = 1.20778

RESPONSE FREQUENCY

1 5

2 25

3 20

4 11

5 13

QUESTION NUMBER 51

=====

MEAN = 2.86437

N = 74

VARIANCE = .738494

STD DEV = .659357

RESPONSE FREQUENCY

1 0

2 29

3 30

4 11

5 4

QUESTION NUMBER 53
 =====
 MEAN = 2.5
 N = 74
 VARIANCE = .317563
 STD DEV = .904194
 RESPONSE FREQUENCY

1	3
2	32
3	25
4	7
5	2

QUESTION NUMBER 55
 =====
 MEAN = 2.53103
 N = 74
 VARIANCE = .919103
 STD DEV = .953699
 RESPONSE FREQUENCY

1	3
2	28
3	29
4	5
5	4

QUESTION NUMBER 56
 =====
 MEAN = 3
 N = 74
 VARIANCE = .891892
 STD DEV = .9444
 RESPONSE FREQUENCY

1	4
2	18
3	29
4	20
5	3

QUESTION NUMBER 58
 =====
 MEAN = 2.5
 N = 74
 VARIANCE = .317563
 STD DEV = .904194
 RESPONSE FREQUENCY

1	3
2	32
3	25
4	7
5	2

QUESTION NUMBER 59
 =====
 MEAN = 1.97297
 N = 74
 VARIANCE = .647917
 STD DEV = .804933
 RESPONSE FREQUENCY

1	24
2	29
3	20
4	1
5	0

QUESTION NUMBER 60
 =====
 MEAN = 2.39189
 N = 74
 VARIANCE = 1.31939
 STD DEV = 1.14865
 RESPONSE FREQUENCY

1	20
2	20
3	24
4	5
5	5

QUESTION NUMBER 61
 =====
 MEAN = 2.55405
 N = 74
 VARIANCE = .3687
 STD DEV = .932041
 RESPONSE FREQUENCY

1	9
2	26
3	31
4	5
5	3

QUESTION NUMBER 62
 =====
 MEAN = 3.33784
 N = 74
 VARIANCE = .69908
 STD DEV = .943357
 RESPONSE FREQUENCY

1	0
2	14
3	32
4	17
5	11

QUESTION NUMBER 63
 =====
 MEAN = 3.02703
 N = 74
 VARIANCE = 1.02629
 STD DEV = 1.01306
 RESPONSE FREQUENCY

1	4
2	19
3	23
4	17
5	6

QUESTION NUMBER 64
 =====
 MEAN = 2.51351
 N = 74
 VARIANCE = 1.24962
 STD DEV = 1.11795
 RESPONSE FREQUENCY

1	14
2	27
3	16
4	11
5	4

QUESTION NUMBER 65
 =====
 MEAN = 2.39189
 N = 74
 VARIANCE = 1.31939
 STD DEV = 1.14865
 RESPONSE FREQUENCY

1	20
2	20
3	24
4	5
5	5

QUESTION NUMBER 66
 =====
 MEAN = 2.55405
 N = 74
 VARIANCE = .3687
 STD DEV = .932041
 RESPONSE FREQUENCY

1	9
2	26
3	31
4	5
5	3

QUESTION NUMBER 64
 =====
 MEAN = 2.91892
 N = 74
 VARIANCE = 1.23667
 STD DEV = 1.11206
 RESPONSE FREQUENCY
 1 6
 2 24
 3 21
 4 16
 5 7

QUESTION NUMBER 67
 =====
 MEAN = 4.31031
 N = 74
 VARIANCE = .731774
 STD DEV = .83413
 RESPONSE FREQUENCY
 1 1
 2 1
 3 12
 4 20
 5 40

QUESTION NUMBER 70
 =====
 MEAN = 1.52703
 N = 74
 VARIANCE = .600621
 STD DEV = .774997
 RESPONSE FREQUENCY
 1 44
 2 24
 3 4
 4 1
 5 1

QUESTION NUMBER 65
 =====
 MEAN = 1.56757
 N = 74
 VARIANCE = .488676
 STD DEV = .699054
 RESPONSE FREQUENCY
 1 40
 2 27
 3 6
 4 1
 5 0

QUESTION NUMBER 63
 =====
 MEAN = 1.97297
 N = 74
 VARIANCE = 1.24251
 STD DEV = 1.11468
 RESPONSE FREQUENCY
 1 33
 2 21
 3 12
 4 5
 5 3

QUESTION NUMBER 71
 =====
 MEAN = 3.97297
 N = 74
 VARIANCE = 1.16143
 STD DEV = 1.0777
 RESPONSE FREQUENCY
 1 1
 2 8
 3 14
 4 20
 5 31

QUESTION NUMBER 66
 =====
 MEAN = 3.66216
 N = 74
 VARIANCE = 1.19663
 STD DEV = 1.09393
 RESPONSE FREQUENCY
 1 5
 2 4
 3 19
 4 29
 5 17

QUESTION NUMBER 69
 =====
 MEAN = 3.89189
 N = 74
 VARIANCE = 1.4748
 STD DEV = 1.21441
 RESPONSE FREQUENCY
 1 2
 2 10
 3 17
 4 10
 5 35

QUESTION NUMBER 72
 =====
 MEAN = 4.44595
 N = 74
 VARIANCE = .652484
 STD DEV = .807765
 RESPONSE FREQUENCY
 1 0
 2 2
 3 9
 4 17
 5 46

QUESTION NUMBER 73
 =====
 MEAN = 1.72973
 N= 74
 VARIANCE = .791817
 STD DEV = .889341
 RESPONSE FREQUENCY
 1 33
 2 22
 3 10
 4 4
 5 0

QUESTION NUMBER 76
 =====
 MEAN = 2.7027
 N= 74
 VARIANCE = 1.26296
 STD DEV = 1.12332
 RESPONSE FREQUENCY
 1 10
 2 25
 3 22
 4 11
 5 6

QUESTION NUMBER 79
 =====
 MEAN = 2.55405
 N= 74
 VARIANCE = 1.30113
 STD DEV = 1.14067
 RESPONSE FREQUENCY
 1 13
 2 27
 3 20
 4 8
 5 6

QUESTION NUMBER 74
 =====
 MEAN = 4.24324
 N= 74
 VARIANCE = .967359
 STD DEV = .983798
 RESPONSE FREQUENCY
 1 0
 2 6
 3 11
 4 16
 5 41

QUESTION NUMBER 77
 =====
 MEAN = 2.48649
 N= 74
 VARIANCE = .95252
 STD DEV = .975971
 RESPONSE FREQUENCY
 1 10
 2 31
 3 23
 4 7
 5 3

QUESTION NUMBER 80
 =====
 MEAN = 2.51351
 N= 74
 VARIANCE = .95252
 STD DEV = .975972
 RESPONSE FREQUENCY
 1 12
 2 24
 3 28
 4 3
 5 2

QUESTION NUMBER 75
 =====
 MEAN = 3.37638
 N= 74
 VARIANCE = 1.61359
 STD DEV = 1.27027
 RESPONSE FREQUENCY
 1 6
 2 12
 3 25
 4 10
 5 21

QUESTION NUMBER 78
 =====
 MEAN = 2.21622
 N= 74
 VARIANCE = 1.25055
 STD DEV = 1.11828
 RESPONSE FREQUENCY
 1 24
 2 23
 3 17
 4 7
 5 3

QUESTION NUMBER 81
 =====
 MEAN = 2.54054
 N= 74
 VARIANCE = 1.32944
 STD DEV = 1.15301
 RESPONSE FREQUENCY
 1 15
 2 24
 3 20
 4 10
 5 5

QUESTION NUMBER 82
 =====
 MEAN = 3.04054
 N= 74
 VARIANCE = 1.4443
 STD DEV = 1.20179
 RESPONSE FREQUENCY
 1 7
 2 19
 3 24
 4 12
 5 12

QUESTION NUMBER 83
 =====
 MEAN = 2.13513
 N= 74
 VARIANCE = 1.19795
 STD DEV = 1.09451
 RESPONSE FREQUENCY
 1 24
 2 28
 3 14
 4 4
 5 4

QUESTION NUMBER 84
 =====
 MEAN = 1.7973
 N= 74
 VARIANCE = .83729
 STD DEV = .915035
 RESPONSE FREQUENCY
 1 34
 2 27
 3 7
 4 6
 5 0

QUESTION NUMBER 85
 =====
 MEAN = 1.72973
 N= 74
 VARIANCE = .710736
 STD DEV = .843052
 RESPONSE FREQUENCY
 1 37
 2 22
 3 13
 4 2
 5 0

QUESTION NUMBER 86
 =====
 MEAN = 1.97297
 N= 74
 VARIANCE = .783052
 STD DEV = .684902
 RESPONSE FREQUENCY
 1 25
 2 30
 3 13
 4 5
 5 0

QUESTION NUMBER 87
 =====
 MEAN = 2.10811
 N= 74
 VARIANCE = 1.09642
 STD DEV = 1.0471
 RESPONSE FREQUENCY
 1 27
 2 20
 3 21
 4 4
 5 2

QUESTION NUMBER 88
 =====
 MEAN = 2
 N= 74
 VARIANCE = 1.21622
 STD DEV = 1.10280
 RESPONSE FREQUENCY
 1 32
 2 21
 3 12
 4 7
 5 2

QUESTION NUMBER 89
 =====
 MEAN = 2.71622
 N= 74
 VARIANCE = 1.71677
 STD DEV = 1.31025
 RESPONSE FREQUENCY
 1 15
 2 23
 3 13
 4 14
 5 9



QUESTION NUMBER 7
 =====
 MEAN = 2.94631
 N= 94
 VARIANCE = 3.13547
 STD DEV = 1.77073
 RESPONSE FREQUENCY
 1 39
 2 2
 3 9
 4 13
 5 31

QUESTION NUMBER 4
 =====
 MEAN = 2.60633
 N= 94
 VARIANCE = 1.91954
 STD DEV = 1.33547
 RESPONSE FREQUENCY
 1 31
 2 10
 3 31
 4 9
 5 13

QUESTION NUMBER 1
 =====
 MEAN = 2.67021
 N= 94
 VARIANCE = 2.41252
 STD DEV = 1.55323
 RESPONSE FREQUENCY
 1 33
 2 16
 3 13
 4 13
 5 19

QUESTION NUMBER 8
 =====
 MEAN = 2.13035
 N= 94
 VARIANCE = 1.16942
 STD DEV = 1.0314
 RESPONSE FREQUENCY
 1 32
 2 26
 3 26
 4 7
 5 3

QUESTION NUMBER 5
 =====
 MEAN = 2.3617
 N= 94
 VARIANCE = 1.44364
 STD DEV = 1.20152
 RESPONSE FREQUENCY
 1 28
 2 25
 3 28
 4 5
 5 8

QUESTION NUMBER 2
 =====
 MEAN = 2.92553
 N= 94
 VARIANCE = 2.64339
 STD DEV = 1.62535
 RESPONSE FREQUENCY
 1 32
 2 6
 3 13
 4 17
 5 24

QUESTION NUMBER 9
 =====
 MEAN = 2.14894
 N= 94
 VARIANCE = .743776
 STD DEV = .362424
 RESPONSE FREQUENCY
 1 22
 2 43
 3 22
 4 7
 5 6

QUESTION NUMBER 6
 =====
 MEAN = 1.98936
 N= 94
 VARIANCE = 1.41478
 STD DEV = 1.18944
 RESPONSE FREQUENCY
 1 41
 2 32
 3 9
 4 5
 5 7

QUESTION NUMBER 3
 =====
 MEAN = 2.79737
 N= 94
 VARIANCE = 2.37404
 STD DEV = 1.54079
 RESPONSE FREQUENCY
 1 30
 2 11
 3 23
 4 3
 5 22

QUESTION NUMBER 10
 =====
 MEAN = 3.17021
 N= 94
 VARIANCE = 2.11997
 STD DEV = 1.45601
 RESPONSE FREQUENCY
 1 15
 2 19
 3 24
 4 7
 5 29

QUESTION NUMBER 13
 =====
 MEAN = 3.14394
 N= 94
 VARIANCE = 2.19059
 STD DEV = 1.43006
 RESPONSE FREQUENCY
 1 21
 2 7
 3 30
 4 9
 5 27

QUESTION NUMBER 16
 =====
 MEAN = 2.30351
 N= 94
 VARIANCE = 2.02184
 STD DEV = 1.42192
 RESPONSE FREQUENCY
 1 37
 2 25
 3 12
 4 6
 5 14

QUESTION NUMBER 11
 =====
 MEAN = 2.75532
 N= 94
 VARIANCE = 1.46141
 STD DEV = 1.20339
 RESPONSE FREQUENCY
 1 19
 2 17
 3 35
 4 14
 5 9

QUESTION NUMBER 14
 =====
 MEAN = 2.64394
 N= 94
 VARIANCE = 2.07888
 STD DEV = 1.44183
 RESPONSE FREQUENCY
 1 31
 2 13
 3 22
 4 14
 5 14

QUESTION NUMBER 17
 =====
 MEAN = 1.93617
 N= 94
 VARIANCE = 1.31503
 STD DEV = 1.14677
 RESPONSE FREQUENCY
 1 46
 2 25
 3 8
 4 13
 5 2

QUESTION NUMBER 12
 =====
 MEAN = 2.37234
 N= 94
 VARIANCE = 1.1486
 STD DEV = 1.07173
 RESPONSE FREQUENCY
 1 24
 2 26
 3 33
 4 7
 5 4

QUESTION NUMBER 15
 =====
 MEAN = 2.71277
 N= 94
 VARIANCE = 1.31112
 STD DEV = 1.14504
 RESPONSE FREQUENCY
 1 13
 2 29
 3 35
 4 6
 5 11

QUESTION NUMBER 13
 =====
 MEAN = 1.81915
 N= 94
 VARIANCE = 1.57368
 STD DEV = 1.25446
 RESPONSE FREQUENCY
 1 56
 2 18
 3 10
 4 1
 5 9

QUESTION NUMBER 19

=====

MEAN = 3.23404

N= 94

VARIANCE = 2.31757

STD DEV = 1.67356

RESPONSE	FREQUENCY
1	26
2	10
3	10
4	12
5	36

QUESTION NUMBER 22

=====

MEAN = 2.24463

N= 94

VARIANCE = 1.6529

STD DEV = 1.28565

RESPONSE	FREQUENCY
1	33
2	17
3	26
4	4
5	9

QUESTION NUMBER 25

=====

MEAN = 2.15957

N= 94

VARIANCE = .9639

STD DEV = .981784

RESPONSE	FREQUENCY
1	30
2	26
3	33
4	3
5	2

QUESTION NUMBER 20

=====

MEAN = 2.59575

N= 94

VARIANCE = 1.90041

STD DEV = 1.37855

RESPONSE	FREQUENCY
1	26
2	23
3	23
4	7
5	15

QUESTION NUMBER 23

=====

MEAN = 2.26596

N= 94

VARIANCE = 1.11012

STD DEV = 1.05362

RESPONSE	FREQUENCY
1	27
2	27
3	32
4	4
5	4

QUESTION NUMBER 26

=====

MEAN = 2.40425

N= 94

VARIANCE = 1.11313

STD DEV = 1.05527

RESPONSE	FREQUENCY
1	19
2	37
3	22
4	13
5	3

QUESTION NUMBER 21

=====

MEAN = 2.65957

N= 94

VARIANCE = 2.00304

STD DEV = 1.42585

RESPONSE	FREQUENCY
1	27
2	19
3	24
4	7
5	17

QUESTION NUMBER 24

=====

MEAN = 2.56383

N= 94

VARIANCE = 1.41614

STD DEV = 1.19002

RESPONSE	FREQUENCY
1	21
2	26
3	27
4	13
5	7

QUESTION NUMBER 27

=====

MEAN = 2.7766

N= 94

VARIANCE = 1.59903

STD DEV = 1.26453

RESPONSE	FREQUENCY
1	20
2	17
3	32
4	14
5	11

QUESTION NUMBER 28

MEAN = 1.7766

N# 94

VARIANCE = 1.23733

STD DEV = 1.11235

RESPONSE	FREQUENCY
1	51
2	27
3	3
4	2
5	6

QUESTION NUMBER 31

MEAN = 2.35106

N# 94

VARIANCE = 2.39272

STD DEV = 1.7003

RESPONSE	FREQUENCY
1	38
2	4
3	12
4	14
5	26

QUESTION NUMBER 34

MEAN = 2.62766

N# 94

VARIANCE = 1.04221

STD DEV = 1.02089

RESPONSE	FREQUENCY
1	16
2	22
3	40
4	13
5	3

QUESTION NUMBER 29

MEAN = 2.10633

N# 94

VARIANCE = 1.58443

STD DEV = 1.25874

RESPONSE	FREQUENCY
1	43
2	17
3	23
4	3
5	8

QUESTION NUMBER 32

MEAN = 3.04255

N# 94

VARIANCE = 1.31734

STD DEV = 1.14775

RESPONSE	FREQUENCY
1	12
2	10
3	43
4	10
5	14

QUESTION NUMBER 35

MEAN = 2.70213

N# 94

VARIANCE = 1.23042

STD DEV = 1.10924

RESPONSE	FREQUENCY
1	13
2	30
3	30
4	14
5	7

QUESTION NUMBER 30

MEAN = 1.96809

N# 94

VARIANCE = 1.96707

STD DEV = 1.40252

RESPONSE	FREQUENCY
1	58
2	6
3	16
4	3
5	11

QUESTION NUMBER 33

MEAN = 2.39362

N# 94

VARIANCE = 1.66422

STD DEV = 1.29005

RESPONSE	FREQUENCY
1	30
2	23
3	26
4	4
5	11

QUESTION NUMBER 36

MEAN = 2.29787

N# 94

VARIANCE = 1.06021

STD DEV = 1.02966

RESPONSE	FREQUENCY
1	23
2	34
3	26
4	8
5	3

QUESTION NUMBER 37

=====

MEAN = 2.71277

N= 94

VARIANCE = 1.1409

STD DEV = 1.06313

RESPONSE FREQUENCY

1 11

2 33

3 27

4 13

5 5

QUESTION NUMBER 40

=====

MEAN = 2.39362

N= 94

VARIANCE = 1.74932

STD DEV = 1.32262

RESPONSE FREQUENCY

1 33

2 19

3 24

4 8

5 10

QUESTION NUMBER 43

=====

MEAN = 2.48936

N= 94

VARIANCE = .366903

STD DEV = .931079

RESPONSE FREQUENCY

1 11

2 41

3 30

4 9

5 3

QUESTION NUMBER 33

=====

MEAN = 2.29737

N= 94

VARIANCE = 1.01766

STD DEV = 1.00879

RESPONSE FREQUENCY

1 23

2 33

3 27

4 9

5 2

QUESTION NUMBER 41

=====

MEAN = 2.24463

N= 94

VARIANCE = 1.09971

STD DEV = 1.04367

RESPONSE FREQUENCY

1 25

2 34

3 27

4 3

5 5

QUESTION NUMBER 44

=====

MEAN = 2.23723

N= 94

VARIANCE = 1.4175

STD DEV = 1.19059

RESPONSE FREQUENCY

1 32

2 23

3 24

4 10

5 5

QUESTION NUMBER 39

=====

MEAN = 2.20213

N= 94

VARIANCE = 1.43737

STD DEV = 1.19911

RESPONSE FREQUENCY

1 31

2 34

3 16

4 5

5 8

QUESTION NUMBER 42

=====

MEAN = 2.5

N= 94

VARIANCE = 1.01596

STD DEV = 1.00795

RESPONSE FREQUENCY

1 15

2 34

3 32

4 9

5 4

QUESTION NUMBER 45

=====

MEAN = 2.37234

N= 94

VARIANCE = 1.99966

STD DEV = 1.41409

RESPONSE FREQUENCY

1 35

2 24

3 13

4 9

5 13

QUESTION NUMBER 46

=====

MEAN = 2.21277

N= 94

VARIANCE = 1.18377

STD DEV = 1.09031

RESPONSE	FREQUENCY
1	23
2	35
3	17
4	11
5	3

QUESTION NUMBER 49

=====

MEAN = 2.52128

N= 94

VARIANCE = 1.07933

STD DEV = 1.03891

RESPONSE	FREQUENCY
1	15
2	34
3	31
4	9
5	5

QUESTION NUMBER 52

=====

MEAN = 2.67021

N= 94

VARIANCE = 1.47635

STD DEV = 1.21505

RESPONSE	FREQUENCY
1	21
2	19
3	32
4	14
5	3

QUESTION NUMBER 47

=====

MEAN = 2.8617

N= 94

VARIANCE = 2.01278

STD DEV = 1.41873

RESPONSE	FREQUENCY
1	18
2	28
3	17
4	11
5	20

QUESTION NUMBER 50

=====

MEAN = 2.44681

N= 94

VARIANCE = 1.16206

STD DEV = 1.07799

RESPONSE	FREQUENCY
1	19
2	34
3	25
4	12
5	4

QUESTION NUMBER 53

=====

MEAN = 2.94681

N= 94

VARIANCE = 1.58228

STD DEV = 1.25789

RESPONSE	FREQUENCY
1	14
2	22
3	26
4	19
5	13

QUESTION NUMBER 48

=====

MEAN = 2.30851

N= 94

VARIANCE = 1.23461

STD DEV = 1.11113

RESPONSE	FREQUENCY
1	27
2	27
3	29
4	6
5	5

QUESTION NUMBER 51

=====

MEAN = 2.6383

N= 94

VARIANCE = 1.23087

STD DEV = 1.10945

RESPONSE	FREQUENCY
1	15
2	32
3	23
4	20
5	4

QUESTION NUMBER 54

=====

MEAN = 2.91439

N= 94

VARIANCE = 2.01403

STD DEV = 1.41917

RESPONSE	FREQUENCY
1	24
2	7
3	36
4	7
5	20

QUESTION NUMBER 55

=====

MEAN = 2.7766

N= 94

VARIANCE = 1.62031

STD DEV = 1.27291

RESPONSE	FREQUENCY
1	17
2	23
3	33
4	6
5	15

QUESTION NUMBER 58

=====

MEAN = 2.60638

N= 94

VARIANCE = .855708

STD DEV = .925045

RESPONSE	FREQUENCY
1	14
2	19
3	56
4	0
5	5

QUESTION NUMBER 61

=====

MEAN = 2.56383

N= 94

VARIANCE = 1.35231

STD DEV = 1.16289

RESPONSE	FREQUENCY
1	17
2	34
3	24
4	11
5	3

QUESTION NUMBER 56

=====

MEAN = 2.55319

N= 94

VARIANCE = 1.05563

STD DEV = 1.02746

RESPONSE	FREQUENCY
1	11
2	41
3	27
4	2
5	6

QUESTION NUMBER 59

=====

MEAN = 2.60638

N= 94

VARIANCE = .813154

STD DEV = .90175

RESPONSE	FREQUENCY
1	11
2	26
3	51
4	1
5	5

QUESTION NUMBER 62

=====

MEAN = 2.37234

N= 94

VARIANCE = .659234

STD DEV = .811932

RESPONSE	FREQUENCY
1	17
2	28
3	46
4	3
5	0

QUESTION NUMBER 57

=====

MEAN = 2.25532

N= 94

VARIANCE = .956087

STD DEV = .977797

RESPONSE	FREQUENCY
1	21
2	40
3	24
4	6
5	3

QUESTION NUMBER 60

=====

MEAN = 2.59575

N= 94

VARIANCE = 1.32594

STD DEV = 1.1515

RESPONSE	FREQUENCY
1	16
2	34
3	23
4	14
5	7

QUESTION NUMBER 63

=====

MEAN = 2.07447

N= 94

VARIANCE = 1.0902

STD DEV = 1.04413

RESPONSE	FREQUENCY
1	34
2	30
3	22
4	5
5	3

QUESTION NUMBER 64

=====

MEAN = 2.14394

N = 94

VARIANCE = 1.12675

STD DEV = 1.06149

RESPONSE	FREQUENCY
1	31
2	31
3	22
4	7
5	3

QUESTION NUMBER 67

=====

MEAN = 3.02123

N = 94

VARIANCE = 1.85061

STD DEV = 1.36037

RESPONSE	FREQUENCY
1	13
2	26
3	22
4	12
5	21

QUESTION NUMBER 70

=====

MEAN = 2.61702

N = 94

VARIANCE = 1.55546

STD DEV = 1.24713

RESPONSE	FREQUENCY
1	21
2	26
3	24
4	14
5	9

QUESTION NUMBER 65

=====

MEAN = 2.45745

N = 94

VARIANCE = 1.22691

STD DEV = 1.10766

RESPONSE	FREQUENCY
1	20
2	32
3	26
4	11
5	5

QUESTION NUMBER 68

=====

MEAN = 1.81915

N = 94

VARIANCE = .871547

STD DEV = .933567

RESPONSE	FREQUENCY
1	41
2	36
3	13
4	1
5	3

QUESTION NUMBER 71

=====

MEAN = 2.81915

N = 94

VARIANCE = 1.21197

STD DEV = 1.1009

RESPONSE	FREQUENCY
1	8
2	34
3	28
4	15
5	9

QUESTION NUMBER 66

=====

MEAN = 2.53511

N = 94

VARIANCE = .3385

STD DEV = .915697

RESPONSE	FREQUENCY
1	6
2	44
3	32
4	7
5	5

QUESTION NUMBER 69

=====

MEAN = 2.26596

N = 94

VARIANCE = 1.23033

STD DEV = 1.13152

RESPONSE	FREQUENCY
1	32
2	21
3	28
4	10
5	3

QUESTION NUMBER 72

=====

MEAN = 2.73404

N = 94

VARIANCE = 1.30161

STD DEV = 1.14088

RESPONSE	FREQUENCY
1	15
2	24
3	34
4	13
5	3

QUESTION NUMBER 73

=====
MEAN = 1.85106

N= 94

VARIANCE = .977817

STD DEV = .988846

RESPONSE	FREQUENCY
1	45
2	26
3	16
4	6
5	1

QUESTION NUMBER 76

=====
MEAN = 2.52123

N= 94

VARIANCE = 1.33465

STD DEV = 1.15527

RESPONSE	FREQUENCY
1	13
2	34
3	25
4	9
5	3

QUESTION NUMBER 79

=====
MEAN = 2.57447

N= 94

VARIANCE = .840199

STD DEV = .916624

RESPONSE	FREQUENCY
1	14
2	24
3	46
4	8
5	2

QUESTION NUMBER 74

=====
MEAN = 2.65957

N= 94

VARIANCE = 1.33092

STD DEV = 1.15365

RESPONSE	FREQUENCY
1	16
2	23
3	30
4	13
5	7

QUESTION NUMBER 77

=====
MEAN = 2.30351

N= 94

VARIANCE = 1.21334

STD DEV = 1.10151

RESPONSE	FREQUENCY
1	20
2	46
3	13
4	9
5	6

QUESTION NUMBER 80

=====
MEAN = 2.73404

N= 94

VARIANCE = 1.11012

STD DEV = 1.05362

RESPONSE	FREQUENCY
1	14
2	20
3	43
4	11
5	6

QUESTION NUMBER 75

=====
MEAN = 2.52128

N= 94

VARIANCE = 1.58997

STD DEV = 1.26094

RESPONSE	FREQUENCY
1	26
2	21
3	23
4	10
5	9

QUESTION NUMBER 78

=====
MEAN = 2.45745

N= 94

VARIANCE = 1.24819

STD DEV = 1.11722

RESPONSE	FREQUENCY
1	22
2	27
3	30
4	10
5	5

QUESTION NUMBER 81

=====
MEAN = 2.25532

N= 94

VARIANCE = 1.23263

STD DEV = 1.11026

RESPONSE	FREQUENCY
1	24
2	42
3	13
4	10
5	5

QUESTION NUMBER 82

=====
MEAN = 2.26596

N= 94

VARIANCE = 1.13139
STD DEV = 1.06367

RESPONSE	FREQUENCY
1	27
2	28
3	30
4	5
5	4

QUESTION NUMBER 85

=====
MEAN = 2.17021

N= 94

VARIANCE = 2.35401
STD DEV = 1.53428

RESPONSE	FREQUENCY
1	50
2	14
3	12
4	0
5	18

QUESTION NUMBER 83

=====
MEAN = 2.19149

N= 94

VARIANCE = 1.38836
STD DEV = 1.1785

RESPONSE	FREQUENCY
1	34
2	23
3	16
4	12
5	4

QUESTION NUMBER 83

=====
MEAN = 2.1383

N= 94

VARIANCE = 1.5447
STD DEV = 1.24286

RESPONSE	FREQUENCY
1	42
2	16
3	23
4	7
5	6

QUESTION NUMBER 86

=====
MEAN = 2.14894

N= 94

VARIANCE = 1.70122
STD DEV = 1.30431

RESPONSE	FREQUENCY
1	41
2	23
3	13
4	9
5	8

QUESTION NUMBER 89

=====
MEAN = 2.26596

N= 94

VARIANCE = 1.55693
STD DEV = 1.24777

RESPONSE	FREQUENCY
1	31
2	32
3	14
4	9
5	3

QUESTION NUMBER 84

=====
MEAN = 2.26596

N= 94

VARIANCE = 2.55693
STD DEV = 1.59924

RESPONSE	FREQUENCY
1	49
2	13
3	10
4	2
5	20

QUESTION NUMBER 87

=====
MEAN = 2.46809

N= 94

VARIANCE = 1.99366
STD DEV = 1.41197

RESPONSE	FREQUENCY
1	33
2	21
3	15
4	13
5	12

APPENDIX 11 RESPONSES FROM TECHNICIAN STUDENTS UNDER 18 YEARS OF AGE

QUESTION NUMBER 1
 =====
 MEAN = 3.23404
 N= 94
 VARIANCE = 1.54097
 STD DEV = 1.24136
 RESPONSE FREQUENCY
 1 3
 2 13
 3 34
 4 12
 5 22

QUESTION NUMBER 4
 =====
 MEAN = 2.91439
 N= 94
 VARIANCE = 1.20553
 STD DEV = 1.09796
 RESPONSE FREQUENCY
 1 12
 2 17
 3 40
 4 17
 5 3

QUESTION NUMBER 7
 =====
 MEAN = 4.41439
 N= 94
 VARIANCE = .317223
 STD DEV = .904004
 RESPONSE FREQUENCY
 1 2
 2 2
 3 9
 4 23
 5 53

QUESTION NUMBER 2
 =====
 MEAN = 4.3617
 N= 94
 VARIANCE = .741512
 STD DEV = .861111
 RESPONSE FREQUENCY
 1 1
 2 4
 3 6
 4 32
 5 51

QUESTION NUMBER 5
 =====
 MEAN = 1.51064
 N= 94
 VARIANCE = .717973
 STD DEV = .847333
 RESPONSE FREQUENCY
 1 60
 2 26
 3 4
 4 2
 5 2

QUESTION NUMBER 3
 =====
 MEAN = 2.35106
 N= 94
 VARIANCE = 1.07888
 STD DEV = 1.03369
 RESPONSE FREQUENCY
 1 21
 2 35
 3 25
 4 10
 5 3

QUESTION NUMBER 3
 =====
 MEAN = 2.6383
 N= 94
 VARIANCE = 1.61385
 STD DEV = 1.27038
 RESPONSE FREQUENCY
 1 22
 2 25
 3 20
 4 19
 5 8

QUESTION NUMBER 6
 =====
 MEAN = 1.67021
 N= 94
 VARIANCE = .936988
 STD DEV = .967873
 RESPONSE FREQUENCY
 1 52
 2 31
 3 6
 4 0
 5 5

QUESTION NUMBER 9
 =====
 MEAN = 2.25532
 N= 94
 VARIANCE = 1.08375
 STD DEV = 1.04103
 RESPONSE FREQUENCY
 1 24
 2 36
 3 24
 4 6
 5 4

QUESTION NUMBER 10
 =====
 MEAN = 4.19149
 N= 94
 VARIANCE = 1.32503
 STD DEV = 1.1511
 RESPONSE FREQUENCY
 1 4
 2 7
 3 10
 4 19
 5 54

QUESTION NUMBER 11
 =====
 MEAN = 2.7234
 N= 94
 VARIANCE = 1.71073
 STD DEV = 1.30795
 RESPONSE FREQUENCY
 1 22
 2 21
 3 22
 4 19
 5 10

QUESTION NUMBER 12
 =====
 MEAN = 2.17021
 N= 94
 VARIANCE = 1.35401
 STD DEV = 1.16362
 RESPONSE FREQUENCY
 1 32
 2 34
 3 13
 4 10
 5 5

QUESTION NUMBER 13
 =====
 MEAN = 3.54255
 N= 94
 VARIANCE = 1.56733
 STD DEV = 1.25193
 RESPONSE FREQUENCY
 1 3
 2 10
 3 27
 4 21
 5 23

QUESTION NUMBER 14
 =====
 MEAN = 2.71277
 N= 94
 VARIANCE = 2.22601
 STD DEV = 1.49198
 RESPONSE FREQUENCY
 1 26
 2 23
 3 13
 4 6
 5 21

QUESTION NUMBER 15
 =====
 MEAN = 2.07447
 N= 94
 VARIANCE = 1.00509
 STD DEV = 1.00254
 RESPONSE FREQUENCY
 1 30
 2 39
 3 15
 4 8
 5 2

QUESTION NUMBER 16
 =====
 MEAN = 1.89362
 N= 94
 VARIANCE = 1.00996
 STD DEV = 1.00497
 RESPONSE FREQUENCY
 1 42
 2 29
 3 16
 4 5
 5 2

QUESTION NUMBER 17
 =====
 MEAN = 2.04255
 N= 94
 VARIANCE = 1.48755
 STD DEV = 1.21965
 RESPONSE FREQUENCY
 1 41
 2 27
 3 15
 4 3
 5 8

QUESTION NUMBER 18
 =====
 MEAN = 1.63035
 N= 94
 VARIANCE = .685379
 STD DEV = .827876
 RESPONSE FREQUENCY
 1 50
 2 26
 3 16
 4 2
 5 0

QUESTION NUMBER 19

MEAN = 4.61702

N= 94

VARIANCE = .763213

STD DEV = .876431

RESPONSE	FREQUENCY
1	2
2	2
3	7
4	3
5	75

QUESTION NUMBER 22

MEAN = 2.31915

N= 94

VARIANCE = 1.47261

STD DEV = 1.21351

RESPONSE	FREQUENCY
1	33
2	13
3	29
4	8
5	6

QUESTION NUMBER 25

MEAN = 1.54255

N= 94

VARIANCE = .673717

STD DEV = .820803

RESPONSE	FREQUENCY
1	59
2	22
3	11
4	1
5	1

QUESTION NUMBER 20

MEAN = 2.17021

N= 94

VARIANCE = 1.2689

STD DEV = 1.12646

RESPONSE	FREQUENCY
1	33
2	28
3	21
4	3
5	4

QUESTION NUMBER 23

MEAN = 2.47372

N= 94

VARIANCE = 1.10061

STD DEV = 1.0491

RESPONSE	FREQUENCY
1	22
2	18
3	46
4	3
5	5

QUESTION NUMBER 26

MEAN = 2.26596

N= 94

VARIANCE = 1.11012

STD DEV = 1.05362

RESPONSE	FREQUENCY
1	20
2	46
3	17
4	5
5	6

QUESTION NUMBER 21

MEAN = 2.32972

N= 94

VARIANCE = 1.1572

STD DEV = 1.07573

RESPONSE	FREQUENCY
1	23
2	34
3	24
4	3
5	4

QUESTION NUMBER 24

MEAN = 1.8617

N= 94

VARIANCE = 1.11917

STD DEV = 1.05791

RESPONSE	FREQUENCY
1	46
2	25
3	17
4	2
5	4

QUESTION NUMBER 27

MEAN = 3.29787

N= 94

VARIANCE = 1.18737

STD DEV = 1.08989

RESPONSE	FREQUENCY
1	3
2	20
3	34
4	20
5	17

QUESTION NUMBER 28
 =====
 MEAN = 1.41489
 N= 94
 VARIANCE = .519351
 STD DEV = .72066
 RESPONSE FREQUENCY
 1 67
 2 16
 3 10
 4 1
 5 0

QUESTION NUMBER 29
 =====
 MEAN = 1.69149
 N= 94
 VARIANCE = .766527
 STD DEV = .875515
 RESPONSE FREQUENCY
 1 49
 2 30
 3 11
 4 3
 5 1

QUESTION NUMBER 30
 =====
 MEAN = 1.43617
 N= 94
 VARIANCE = .453692
 STD DEV = .677268
 RESPONSE FREQUENCY
 1 63
 2 21
 3 10
 4 0
 5 0

QUESTION NUMBER 31
 =====
 MEAN = 3.84243
 N= 94
 VARIANCE = 1.63731
 STD DEV = 1.29396
 RESPONSE FREQUENCY
 1 11
 2 2
 3 16
 4 27
 5 33

QUESTION NUMBER 32
 =====
 MEAN = 3.04255
 N= 94
 VARIANCE = 1.65777
 STD DEV = 1.28754
 RESPONSE FREQUENCY
 1 17
 2 12
 3 28
 4 24
 5 13

QUESTION NUMBER 33
 =====
 MEAN = 2.28723
 N= 94
 VARIANCE = 1.05579
 STD DEV = 1.02752
 RESPONSE FREQUENCY
 1 21
 2 39
 3 25
 4 4
 5 5

QUESTION NUMBER 34
 =====
 MEAN = 2.30851
 N= 94
 VARIANCE = .920777
 STD DEV = .959571
 RESPONSE FREQUENCY
 1 11
 2 17
 3 49
 4 13
 5 4

QUESTION NUMBER 35
 =====
 MEAN = 2.80851
 N= 94
 VARIANCE = 1.11227
 STD DEV = 1.05464
 RESPONSE FREQUENCY
 1 9
 2 30
 3 31
 4 18
 5 6

QUESTION NUMBER 36
 =====
 MEAN = 2.1383
 N= 94
 VARIANCE = 1.03406
 STD DEV = 1.01689
 RESPONSE FREQUENCY
 1 25
 2 45
 3 14
 4 6
 5 4

QUESTION NUMBER 37

=====

MEAN = 2.7234

N= 94

VARIANCE = 1.71073

STD DEV = 1.30795

RESPONSE FREQUENCY

1	19
2	26
3	25
4	10
5	14

QUESTION NUMBER 40

=====

MEAN = 2.85106

N= 94

VARIANCE = 1.02037

STD DEV = 1.01014

RESPONSE FREQUENCY

1	7
2	25
3	47
4	5
5	10

QUESTION NUMBER 43

=====

MEAN = 3.11702

N= 94

VARIANCE = 1.18343

STD DEV = 1.09015

RESPONSE FREQUENCY

1	6
2	22
3	32
4	23
5	11

QUESTION NUMBER 38

=====

MEAN = 1.81915

N= 94

VARIANCE = .73644

STD DEV = .886815

RESPONSE FREQUENCY

1	36
2	47
3	6
4	2
5	3

QUESTION NUMBER 41

=====

MEAN = 2.58511

N= 94

VARIANCE = .881953

STD DEV = .938644

RESPONSE FREQUENCY

1	12
2	28
3	46
4	3
5	5

QUESTION NUMBER 44

=====

MEAN = 3

N= 94

VARIANCE = 1.12766

STD DEV = 1.06191

RESPONSE FREQUENCY

1	7
2	21
3	42
4	13
5	11

QUESTION NUMBER 39

=====

MEAN = 2.06383

N= 94

VARIANCE = .612947

STD DEV = .782909

RESPONSE FREQUENCY

1	23
2	44
3	26
4	0
5	1

QUESTION NUMBER 42

=====

MEAN = 2.58511

N= 94

VARIANCE = .96616

STD DEV = .982934

RESPONSE FREQUENCY

1	9
2	39
3	35
4	4
5	7

QUESTION NUMBER 45

=====

MEAN = 2.84043

N= 94

VARIANCE = 1.77241

STD DEV = 1.33132

RESPONSE FREQUENCY

1	15
2	32
3	15
4	17
5	15

QUESTION NUMBER 46

=====

MEAN = 2.2234

N= 94

VARIANCE = 1.15222

STD DEV = 1.07341

RESPONSE	FREQUENCY
1	27
2	34
3	22
4	7
5	4

QUESTION NUMBER 49

=====

MEAN = 2.2766

N= 94

VARIANCE = .937326

STD DEV = .968072

RESPONSE	FREQUENCY
1	20
2	43
3	13
4	11
5	2

QUESTION NUMBER 52

=====

MEAN = 2.39362

N= 94

VARIANCE = 1.1323

STD DEV = 1.0641

RESPONSE	FREQUENCY
1	19
2	36
3	23
4	5
5	6

QUESTION NUMBER 47

=====

MEAN = 3.21277

N= 94

VARIANCE = 2.10367

STD DEV = 1.4504

RESPONSE	FREQUENCY
1	16
2	18
3	15
4	20
5	25

QUESTION NUMBER 50

=====

MEAN = 2.60633

N= 94

VARIANCE = 1.0472

STD DEV = 1.02333

RESPONSE	FREQUENCY
1	13
2	31
3	35
4	10
5	5

QUESTION NUMBER 53

=====

MEAN = 3.5

N= 94

VARIANCE = 1.69631

STD DEV = 1.30262

RESPONSE	FREQUENCY
1	3
2	14
3	25
4	17
5	30

QUESTION NUMBER 43

=====

MEAN = 2.46809

N= 94

VARIANCE = 1.41919

STD DEV = 1.1913

RESPONSE	FREQUENCY
1	23
2	26
3	33
4	2
5	10

QUESTION NUMBER 51

=====

MEAN = 2.60638

N= 94

VARIANCE = 1.17486

STD DEV = 1.08391

RESPONSE	FREQUENCY
1	13
2	37
3	23
4	16
5	5

QUESTION NUMBER 54

=====

MEAN = 2.97372

N= 94

VARIANCE = 1.33997

STD DEV = 1.15757

RESPONSE	FREQUENCY
1	9
2	24
3	34
4	14
5	13

QUESTION NUMBER 55
 =====
 MEAN = 2.25532
 N= 94
 VARIANCE = 1.10502
 STD DEV = 1.0512
 RESPONSE FREQUENCY
 1 24
 2 36
 3 25
 4 4
 5 5

QUESTION NUMBER 58
 =====
 MEAN = 2.08511
 N= 94
 VARIANCE = .836377
 STD DEV = .91476
 RESPONSE FREQUENCY
 1 29
 2 35
 3 25
 4 3
 5 2

QUESTION NUMBER 61
 =====
 MEAN = 2.05319
 N= 94
 VARIANCE = .795041
 STD DEV = .891651
 RESPONSE FREQUENCY
 1 27
 2 41
 3 22
 4 2
 5 2

QUESTION NUMBER 56
 =====
 MEAN = 2.93936
 N= 94
 VARIANCE = .832363
 STD DEV = .939608
 RESPONSE FREQUENCY
 1 5
 2 14
 3 55
 4 12
 5 7

QUESTION NUMBER 59
 =====
 MEAN = 1.91489
 N= 94
 VARIANCE = .652335
 STD DEV = .807673
 RESPONSE FREQUENCY
 1 33
 2 33
 3 21
 4 2
 5 0

QUESTION NUMBER 62
 =====
 MEAN = 2.30351
 N= 94
 VARIANCE = .633863
 STD DEV = .799292
 RESPONSE FREQUENCY
 1 17
 2 33
 3 43
 4 0
 5 1

QUESTION NUMBER 57
 =====
 MEAN = 1.96809
 N= 94
 VARIANCE = .562814
 STD DEV = .75021
 RESPONSE FREQUENCY
 1 25
 2 50
 3 16
 4 3
 5 0

QUESTION NUMBER 60
 =====
 MEAN = 2.44681
 N= 94
 VARIANCE = 1.60887
 STD DEV = 1.26341
 RESPONSE FREQUENCY
 1 31
 2 16
 3 28
 4 12
 5 7

QUESTION NUMBER 63
 =====
 MEAN = 2.31915
 N= 94
 VARIANCE = 1.06836
 STD DEV = 1.03361
 RESPONSE FREQUENCY
 1 22
 2 34
 3 23
 4 6
 5 4

QUESTION NUMBER 64

=====

MEAN = 2.45745

N= 94

VARIANCE = .780101

STD DEV = .883233

RESPONSE	FREQUENCY
1	15
2	29
3	44
4	4
5	2

QUESTION NUMBER 65

=====

MEAN = 1.73404

N= 94

VARIANCE = .961133

STD DEV = .9804

RESPONSE	FREQUENCY
1	49
2	29
3	12
4	0
5	4

QUESTION NUMBER 66

=====

MEAN = 2.70213

N= 94

VARIANCE = 1.46446

STD DEV = 1.21015

RESPONSE	FREQUENCY
1	15
2	31
3	26
4	11
5	11

QUESTION NUMBER 67

=====

MEAN = 2.94631

N= 94

VARIANCE = 1.64611

STD DEV = 1.23301

RESPONSE	FREQUENCY
1	10
2	32
3	23
4	11
5	18

QUESTION NUMBER 68

=====

MEAN = 1.60633

N= 94

VARIANCE = .855707

STD DEV = .925044

RESPONSE	FREQUENCY
1	57
2	24
3	8
4	3
5	2

QUESTION NUMBER 69

=====

MEAN = 2.90425

N= 94

VARIANCE = 2.02275

STD DEV = 1.42223

RESPONSE	FREQUENCY
1	19
2	25
3	14
4	18
5	18

QUESTION NUMBER 70

=====

MEAN = 1.41489

N= 94

VARIANCE = .561904

STD DEV = .749603

RESPONSE	FREQUENCY
1	66
2	20
3	6
4	1
5	1

QUESTION NUMBER 71

=====

MEAN = 2.43617

N= 94

VARIANCE = 1.37359

STD DEV = 1.172

RESPONSE	FREQUENCY
1	24
2	23
3	25
4	11
5	6

QUESTION NUMBER 72

=====

MEAN = 2.53191

N= 94

VARIANCE = 1.78089

STD DEV = 1.3345

RESPONSE	FREQUENCY
1	24
2	31
3	17
4	9
5	13

QUESTION NUMBER 73
 =====
 MEAN = 1.28723
 N= 94
 VARIANCE = .433774
 STD DEV = .6624
 RESPONSE FREQUENCY
 1 74
 2 16
 3 2
 4 1
 5 1

QUESTION NUMBER 76
 =====
 MEAN = 2.56383
 N= 94
 VARIANCE = 1.07571
 STD DEV = 1.03717
 RESPONSE FREQUENCY
 1 15
 2 31
 3 32
 4 12
 5 4

QUESTION NUMBER 79
 =====
 MEAN = 2.07447
 N= 94
 VARIANCE = 1.30296
 STD DEV = 1.14147
 RESPONSE FREQUENCY
 1 37
 2 30
 3 14
 4 9
 5 4

QUESTION NUMBER 74
 =====
 MEAN = 3.14394
 N= 94
 VARIANCE = 1.78633
 STD DEV = 1.33654
 RESPONSE FREQUENCY
 1 11
 2 23
 3 23
 4 15
 5 22

QUESTION NUMBER 77
 =====
 MEAN = 2.54255
 N= 94
 VARIANCE = 1.46095
 STD DEV = 1.2087
 RESPONSE FREQUENCY
 1 19
 2 34
 3 21
 4 11
 5 9

QUESTION NUMBER 30
 =====
 MEAN = 2.51064
 N= 94
 VARIANCE = 1.46266
 STD DEV = 1.2094
 RESPONSE FREQUENCY
 1 21
 2 32
 3 21
 4 12
 5 3

QUESTION NUMBER 75
 =====
 MEAN = 2.7234
 N= 94
 VARIANCE = .83839
 STD DEV = .915636
 RESPONSE FREQUENCY
 1 8
 2 26
 3 50
 4 4
 5 6

QUESTION NUMBER 78
 =====
 MEAN = 2.57447
 N= 94
 VARIANCE = 1.79765
 STD DEV = 1.34076
 RESPONSE FREQUENCY
 1 26
 2 23
 3 22
 4 11
 5 12

QUESTION NUMBER 81
 =====
 MEAN = 2.81915
 N= 94
 VARIANCE = 2.42474
 STD DEV = 1.55716
 RESPONSE FREQUENCY
 1 28
 2 18
 3 13
 4 13
 5 22

QUESTION NUMBER 32

MEAN = 2.33293

N= 94

VARIANCE = 1.72567

STD DEV = 1.31365

RESPONSE	FREQUENCY
1	32
2	21
3	25
4	5
5	11

QUESTION NUMBER 35

MEAN = 1.53191

N= 94

VARIANCE = .77451

STD DEV = .821236

RESPONSE	FREQUENCY
1	58
2	26
3	8
4	0
5	2

QUESTION NUMBER 38

MEAN = 1.3617

N= 94

VARIANCE = .422363

STD DEV = .649395

RESPONSE	FREQUENCY
1	69
2	16
3	9
4	0
5	0

QUESTION NUMBER 33

MEAN = 1.64394

N= 94

VARIANCE = .674624

STD DEV = .821355

RESPONSE	FREQUENCY
1	52
2	25
3	15
4	2
5	0

QUESTION NUMBER 36

MEAN = 1.25532

N= 94

VARIANCE = .275237

STD DEV = .524631

RESPONSE	FREQUENCY
1	74
2	16
3	4
4	0
5	0

QUESTION NUMBER 39

MEAN = 2.17021

N= 94

VARIANCE = 1.24763

STD DEV = 1.11697

RESPONSE	FREQUENCY
1	33
2	27
3	23
4	7
5	4

QUESTION NUMBER 34

MEAN = 1.23404

N= 94

VARIANCE = .34948

STD DEV = .591169

RESPONSE	FREQUENCY
1	78
2	12
3	2
4	2
5	0

QUESTION NUMBER 87

MEAN = 1.47872

N= 94

VARIANCE = .568694

STD DEV = .754118

RESPONSE	FREQUENCY
1	60
2	26
3	6
4	1
5	1

APPENDIX 12 RESPONSES FROM CRAFT STUDENTS OVER 18 YEARS OF AGE

QUESTION NUMBER 1
 =====
 MEAN = 3.31915
 N = 94
 VARIANCE = 1.57899
 STD DEV = 1.25658
 RESPONSE FREQUENCY
 1 5
 2 24
 3 26
 4 14
 5 25

QUESTION NUMBER 4
 =====
 MEAN = 3.56333
 N = 94
 VARIANCE = 1.45369
 STD DEV = 1.20776
 RESPONSE FREQUENCY
 1 8
 2 5
 3 35
 4 13
 5 23

QUESTION NUMBER 7
 =====
 MEAN = 4.03191
 N = 94
 VARIANCE = 1.43515
 STD DEV = 1.19793
 RESPONSE FREQUENCY
 1 6
 2 5
 3 15
 4 22
 5 46

QUESTION NUMBER 2
 =====
 MEAN = 3.8617
 N = 94
 VARIANCE = 1.35321
 STD DEV = 1.16327
 RESPONSE FREQUENCY
 1 5
 2 8
 3 17
 4 29
 5 35

QUESTION NUMBER 5
 =====
 MEAN = 1.8617
 N = 94
 VARIANCE = .97023
 STD DEV = .985002
 RESPONSE FREQUENCY
 1 41
 2 34
 3 13
 4 3
 5 3

QUESTION NUMBER 8
 =====
 MEAN = 2.60633
 N = 94
 VARIANCE = 1.15358
 STD DEV = 1.07405
 RESPONSE FREQUENCY
 1 16
 2 25
 3 40
 4 6
 5 7

QUESTION NUMBER 3
 =====
 MEAN = 3.03191
 N = 94
 VARIANCE = 2.11691
 STD DEV = 1.45465
 RESPONSE FREQUENCY
 1 20
 2 15
 3 24
 4 12
 5 23

QUESTION NUMBER 6
 =====
 MEAN = 2.17021
 N = 94
 VARIANCE = 1.39656
 STD DEV = 1.18176
 RESPONSE FREQUENCY
 1 33
 2 31
 3 18
 4 5
 5 7

QUESTION NUMBER 9
 =====
 MEAN = 2.5
 N = 94
 VARIANCE = 1.18617
 STD DEV = 1.08912
 RESPONSE FREQUENCY
 1 16
 2 35
 3 28
 4 7
 5 7

QUESTION NUMBER 10
 =====
 MEAN = 3.53511
 N= 94
 VARIANCE = 1.96616
 STD DEV = 1.4022
 RESPONSE FREQUENCY
 1 14
 2 5
 3 21
 4 20
 5 34

QUESTION NUMBER 13
 =====
 MEAN = 3.01064
 N= 94
 VARIANCE = 2.22329
 STD DEV = 1.49107
 RESPONSE FREQUENCY
 1 22
 2 14
 3 23
 4 11
 5 24

QUESTION NUMBER 16
 =====
 MEAN = 2.10638
 N= 94
 VARIANCE = 1.26528
 STD DEV = 1.12435
 RESPONSE FREQUENCY
 1 34
 2 33
 3 14
 4 9
 5 4

QUESTION NUMBER 11
 =====
 MEAN = 2.32979
 N= 94
 VARIANCE = 1.56146
 STD DEV = 1.24955
 RESPONSE FREQUENCY
 1 33
 2 22
 3 19
 4 15
 5 5

QUESTION NUMBER 14
 =====
 MEAN = 2.20213
 N= 94
 VARIANCE = 1.90596
 STD DEV = 1.38056
 RESPONSE FREQUENCY
 1 39
 2 23
 3 8
 4 7
 5 12

QUESTION NUMBER 17
 =====
 MEAN = 2.11702
 N= 94
 VARIANCE = 1.57141
 STD DEV = 1.25356
 RESPONSE FREQUENCY
 1 40
 2 24
 3 17
 4 5
 5 8

QUESTION NUMBER 12
 =====
 MEAN = 2
 N= 94
 VARIANCE = 1
 STD DEV = 1
 RESPONSE FREQUENCY
 1 36
 2 32
 3 17
 4 3
 5 1

QUESTION NUMBER 15
 =====
 MEAN = 2.35106
 N= 94
 VARIANCE = 1.07888
 STD DEV = 1.03869
 RESPONSE FREQUENCY
 1 19
 2 40
 3 22
 4 9
 5 4

QUESTION NUMBER 18
 =====
 MEAN = 2.45745
 N= 94
 VARIANCE = 1.69499
 STD DEV = 1.30192
 RESPONSE FREQUENCY
 1 30
 2 19
 3 27
 4 8
 5 10

QUESTION NUMBER 19
 =====
 MEAN = 4.21277
 N= 94
 VARIANCE = 1.21025
 STD DEV = 1.10022
 RESPONSE FREQUENCY
 1 4
 2 4
 3 13
 4 20
 5 53

QUESTION NUMBER 20
 =====
 MEAN = 2.61792
 N= 94
 VARIANCE = 2.30014
 STD DEV = 1.51662
 RESPONSE FREQUENCY
 1 32
 2 18
 3 17
 4 8
 5 19

QUESTION NUMBER 21
 =====
 MEAN = 2.88298
 N= 94
 VARIANCE = 1.74162
 STD DEV = 1.31971
 RESPONSE FREQUENCY
 1 15
 2 24
 3 25
 4 13
 5 16

QUESTION NUMBER 22
 =====
 MEAN = 2.2234
 N= 94
 VARIANCE = 1.51392
 STD DEV = 1.23042
 RESPONSE FREQUENCY
 1 32
 2 30
 3 21
 4 1
 5 10

QUESTION NUMBER 23
 =====
 MEAN = 2.51064
 N= 94
 VARIANCE = 1.65414
 STD DEV = 1.28614
 RESPONSE FREQUENCY
 1 29
 2 16
 3 30
 4 10
 5 9

QUESTION NUMBER 24
 =====
 MEAN = 1.95745
 N= 94
 VARIANCE = 1.14713
 STD DEV = 1.07104
 RESPONSE FREQUENCY
 1 41
 2 27
 3 19
 4 3
 5 4

QUESTION NUMBER 25
 =====
 MEAN = 1.59575
 N= 94
 VARIANCE = .794023
 STD DEV = .891083
 RESPONSE FREQUENCY
 1 57
 2 23
 3 11
 4 1
 5 2

QUESTION NUMBER 26
 =====
 MEAN = 2.57447
 N= 94
 VARIANCE = 1.49977
 STD DEV = 1.22465
 RESPONSE FREQUENCY
 1 23
 2 20
 3 35
 4 6
 5 10

QUESTION NUMBER 27
 =====
 MEAN = 3.41489
 N= 94
 VARIANCE = 1.41297
 STD DEV = 1.18868
 RESPONSE FREQUENCY
 1 7
 2 13
 3 29
 4 24
 5 21

QUESTION NUMBER 28

=====

MEAN = 1.30351

N= 94

VARIANCE = .404823

STD DEV = .636257

RESPONSE FREQUENCY

1	73
2	14
3	6
4	1
5	0

QUESTION NUMBER 29

=====

MEAN = 1.68085

N= 94

VARIANCE = .749209

STD DEV = .865569

RESPONSE FREQUENCY

1	51
2	25
3	16
4	1
5	1

QUESTION NUMBER 31

=====

MEAN = 4

N= 94

VARIANCE = 1.29737

STD DEV = 1.13924

RESPONSE FREQUENCY

1	4
2	7
3	16
4	25
5	42

QUESTION NUMBER 32

=====

MEAN = 3.45745

N= 94

VARIANCE = 1.95032

STD DEV = 1.39654

RESPONSE FREQUENCY

1	13
2	12
3	17
4	23
5	29

QUESTION NUMBER 30

=====

MEAN = 1.47872

N= 94

VARIANCE = .738907

STD DEV = .859597

RESPONSE FREQUENCY

1	65
2	18
3	8
4	1
5	2

QUESTION NUMBER 33

=====

MEAN = 2.48936

N= 94

VARIANCE = 1.29244

STD DEV = 1.13686

RESPONSE FREQUENCY

1	33
2	23
3	32
4	11
5	5

QUESTION NUMBER 34

=====

MEAN = 3.05319

N= 94

VARIANCE = 1.02908

STD DEV = 1.01444

RESPONSE FREQUENCY

1	7
2	15
3	48
4	14
5	10

QUESTION NUMBER 35

=====

MEAN = 3.09575

N= 94

VARIANCE = 1.10735

STD DEV = 1.05255

RESPONSE FREQUENCY

1	6
2	20
3	37
4	21
5	10

QUESTION NUMBER 36

=====

MEAN = 2.6383

N= 94

VARIANCE = 1.2947

STD DEV = 1.13785

RESPONSE FREQUENCY

1	14
2	34
3	26
4	12
5	8

QUESTION NUMBER 37
 =====
 MEAN = 2.87234
 N= 94
 VARIANCE = 1.49434
 STD DEV = 1.22243
 RESPONSE FREQUENCY
 1 13
 2 25
 3 30
 4 13
 5 13

QUESTION NUMBER 38
 =====
 MEAN = 2.18035
 N= 94
 VARIANCE = 1.06393
 STD DEV = 1.03164
 RESPONSE FREQUENCY
 1 24
 2 43
 3 13
 4 4
 5 5

QUESTION NUMBER 39
 =====
 MEAN = 2.39352
 N= 94
 VARIANCE = .855707
 STD DEV = .925044
 RESPONSE FREQUENCY
 1 16
 2 35
 3 36
 4 4
 5 3

QUESTION NUMBER 40
 =====
 MEAN = 2.89362
 N= 94
 VARIANCE = 1.37166
 STD DEV = 1.17118
 RESPONSE FREQUENCY
 1 11
 2 24
 3 36
 4 10
 5 13

QUESTION NUMBER 41
 =====
 MEAN = 2.7234
 N= 94
 VARIANCE = .859667
 STD DEV = .927182
 RESPONSE FREQUENCY
 1 8
 2 29
 3 42
 4 11
 5 4

QUESTION NUMBER 42
 =====
 MEAN = 2.68935
 N= 94
 VARIANCE = 1.04708
 STD DEV = 1.02327
 RESPONSE FREQUENCY
 1 13
 2 24
 3 43
 4 6
 5 6

QUESTION NUMBER 43
 =====
 MEAN = 3.3617
 N= 94
 VARIANCE = 1.2096
 STD DEV = 1.09932
 RESPONSE FREQUENCY
 1 5
 2 15
 3 31
 4 27
 5 16

QUESTION NUMBER 44
 =====
 MEAN = 3.23404
 N= 94
 VARIANCE = 1.51969
 STD DEV = 1.23276
 RESPONSE FREQUENCY
 1 12
 2 9
 3 36
 4 19
 5 13

QUESTION NUMBER 45
 =====
 MEAN = 3.30951
 N= 94
 VARIANCE = 2.25539
 STD DEV = 1.50196
 RESPONSE FREQUENCY
 1 20
 2 9
 3 14
 4 24
 5 27

QUESTION NUMBER 46
 =====
 MEAN = 2.25532
 N = 94
 VARIANCE = 1.36034
 STD DEV = 1.16634
 RESPONSE FREQUENCY
 1 30
 2 29
 3 22
 4 7
 5 6

QUESTION NUMBER 49
 =====
 MEAN = 2.52123
 N = 94
 VARIANCE = 1.20699
 STD DEV = 1.09863
 RESPONSE FREQUENCY
 1 16
 2 34
 3 31
 4 5
 5 3

QUESTION NUMBER 52
 =====
 MEAN = 2.75532
 N = 94
 VARIANCE = 1.41886
 STD DEV = 1.19116
 RESPONSE FREQUENCY
 1 15
 2 26
 3 30
 4 13
 5 10

QUESTION NUMBER 47
 =====
 MEAN = 2.91489
 N = 94
 VARIANCE = 2.26935
 STD DEV = 1.50644
 RESPONSE FREQUENCY
 1 25
 2 16
 3 15
 4 18
 5 20

QUESTION NUMBER 50
 =====
 MEAN = 2.69149
 N = 94
 VARIANCE = 1.23461
 STD DEV = 1.11113
 RESPONSE FREQUENCY
 1 13
 2 30
 3 32
 4 11
 5 8

QUESTION NUMBER 50
 =====
 MEAN = 3.34043
 N = 94
 VARIANCE = 1.84156
 STD DEV = 1.35704
 RESPONSE FREQUENCY
 1 9
 2 20
 3 24
 4 12
 5 29

QUESTION NUMBER 48
 =====
 MEAN = 2.15957
 N = 94
 VARIANCE = 1.16411
 STD DEV = 1.06495
 RESPONSE FREQUENCY
 1 32
 2 24
 3 22
 4 5
 5 3

QUESTION NUMBER 51
 =====
 MEAN = 2.78723
 N = 94
 VARIANCE = 1.57175
 STD DEV = 1.2537
 RESPONSE FREQUENCY
 1 12
 2 36
 3 20
 4 12
 5 14

QUESTION NUMBER 54
 =====
 MEAN = 3.2234
 N = 94
 VARIANCE = 1.81179
 STD DEV = 1.34603
 RESPONSE FREQUENCY
 1 10
 2 22
 3 24
 4 13
 5 25

QUESTION NUMBER 55
 =====
 MEAN = 2.2766
 N= 94
 VARIANCE = 1.24265
 STD DEV = 1.11474
 RESPONSE FREQUENCY
 1 28
 2 27
 3 30
 4 3
 5 6

QUESTION NUMBER 58
 =====
 MEAN = 1.93617
 N= 94
 VARIANCE = .97465
 STD DEV = .937244
 RESPONSE FREQUENCY
 1 40
 2 27
 3 22
 4 3
 5 2

QUESTION NUMBER 61
 =====
 MEAN = 2.13085
 N= 94
 VARIANCE = 1.25453
 STD DEV = 1.12006
 RESPONSE FREQUENCY
 1 34
 2 23
 3 27
 4 6
 5 4

QUESTION NUMBER 56
 =====
 MEAN = 3.15957
 N= 94
 VARIANCE = 1.02773
 STD DEV = 1.01377
 RESPONSE FREQUENCY
 1 5
 2 15
 3 46
 4 16
 5 12

QUESTION NUMBER 59
 =====
 MEAN = 1.98936
 N= 94
 VARIANCE = .882865
 STD DEV = .939609
 RESPONSE FREQUENCY
 1 36
 2 28
 3 26
 4 3
 5 1

QUESTION NUMBER 62
 =====
 MEAN = 2.45745
 N= 94
 VARIANCE = 1.01414
 STD DEV = 1.00705
 RESPONSE FREQUENCY
 1 20
 2 25
 3 37
 4 10
 5 2

QUESTION NUMBER 57
 =====
 MEAN = 2.23404
 N= 94
 VARIANCE = 1.20054
 STD DEV = 1.09569
 RESPONSE FREQUENCY
 1 25
 2 39
 3 19
 4 5
 5 6

QUESTION NUMBER 60
 =====
 MEAN = 2.03191
 N= 94
 VARIANCE = 1.13728
 STD DEV = 1.06643
 RESPONSE FREQUENCY
 1 40
 2 21
 3 25
 4 6
 5 2

QUESTION NUMBER 63
 =====
 MEAN = 1.96309
 N= 94
 VARIANCE = .733027
 STD DEV = .85617
 RESPONSE FREQUENCY
 1 33
 2 34
 3 24
 4 3
 5 0

QUESTION NUMBER 64
 =====
 MEAN = 2.09575
 N= 94
 VARIANCE = 1.02275
 STD DEV = 1.01131
 RESPONSE FREQUENCY
 1 35
 2 22
 3 32
 4 3
 5 2

QUESTION NUMBER 67
 =====
 MEAN = 3.26596
 N= 94
 VARIANCE = 1.89735
 STD DEV = 1.37744
 RESPONSE FREQUENCY
 1 10
 2 22
 3 23
 4 11
 5 28

QUESTION NUMBER 70
 =====
 MEAN = 1.75532
 N= 94
 VARIANCE = .972049
 STD DEV = .985925
 RESPONSE FREQUENCY
 1 49
 2 27
 3 13
 4 2
 5 3

QUESTION NUMBER 65
 =====
 MEAN = 2.1333
 N= 94
 VARIANCE = 1.14074
 STD DEV = 1.06791
 RESPONSE FREQUENCY
 1 30
 2 55
 3 19
 4 6
 5 4

QUESTION NUMBER 68
 =====
 MEAN = 1.69149
 N= 94
 VARIANCE = 1.02185
 STD DEV = 1.01086
 RESPONSE FREQUENCY
 1 55
 2 22
 3 11
 4 3
 5 3

QUESTION NUMBER 71
 =====
 MEAN = 2.91489
 N= 94
 VARIANCE = 1.69489
 STD DEV = 1.30183
 RESPONSE FREQUENCY
 1 14
 2 26
 3 24
 4 14
 5 16

QUESTION NUMBER 66
 =====
 MEAN = 2.55319
 N= 94
 VARIANCE = 1.3961
 STD DEV = 1.18157
 RESPONSE FREQUENCY
 1 18
 2 32
 3 28
 4 6
 5 10

QUESTION NUMBER 69
 =====
 MEAN = 2.69149
 N= 94
 VARIANCE = 1.76653
 STD DEV = 1.32911
 RESPONSE FREQUENCY
 1 20
 2 29
 3 18
 4 14
 5 13

QUESTION NUMBER 72
 =====
 MEAN = 3.14894
 N= 94
 VARIANCE = 1.78633
 STD DEV = 1.33654
 RESPONSE FREQUENCY
 1 12
 2 21
 3 23
 4 17
 5 21

QUESTION NUMBER 73

=====

MEAN = 1.51064

N= 94

VARIANCE = 1.01535

STD DEV = 1.00739

RESPONSE	FREQUENCY
1	67
2	16
3	6
4	6
5	5

QUESTION NUMBER 76

=====

MEAN = 2.51054

N= 94

VARIANCE = 1.67542

STD DEV = 1.29433

RESPONSE	FREQUENCY
1	23
2	19
3	26
4	9
5	10

QUESTION NUMBER 79

=====

MEAN = 2.60633

N= 94

VARIANCE = 1.66422

STD DEV = 1.29005

RESPONSE	FREQUENCY
1	23
2	25
3	22
4	14
5	12

QUESTION NUMBER 74

=====

MEAN = 3.31915

N= 94

VARIANCE = 1.87687

STD DEV = 1.36999

RESPONSE	FREQUENCY
1	11
2	18
3	22
4	16
5	27

QUESTION NUMBER 77

=====

MEAN = 2.58511

N= 94

VARIANCE = 1.51935

STD DEV = 1.23262

RESPONSE	FREQUENCY
1	23
2	22
3	28
4	13
5	8

QUESTION NUMBER 80

=====

MEAN = 2.53511

N= 94

VARIANCE = 1.92361

STD DEV = 1.38694

RESPONSE	FREQUENCY
1	25
2	29
3	14
4	12
5	14

QUESTION NUMBER 75

=====

MEAN = 2.81915

N= 94

VARIANCE = 1.16942

STD DEV = 1.0814

RESPONSE	FREQUENCY
1	11
2	23
3	41
4	10
5	9

QUESTION NUMBER 78

=====

MEAN = 2.59575

N= 94

VARIANCE = 1.75147

STD DEV = 1.32343

RESPONSE	FREQUENCY
1	23
2	26
3	25
4	6
5	14

QUESTION NUMBER 81

=====

MEAN = 2.65957

N= 94

VARIANCE = 2.18198

STD DEV = 1.47715

RESPONSE	FREQUENCY
1	27
2	23
3	19
4	5
5	20

QUESTION NUMBER 82
 =====
 MEAN = 2.39362
 N= 94
 VARIANCE = 1.15358
 STD DEV = 1.07425
 RESPONSE FREQUENCY
 1 24
 2 25
 3 32
 4 10
 5 3

QUESTION NUMBER 85
 =====
 MEAN = 1.51064
 N= 94
 VARIANCE = .675421
 STD DEV = .82184
 RESPONSE FREQUENCY
 1 62
 2 19
 3 11
 4 1
 5 1

QUESTION NUMBER 88
 =====
 MEAN = 1.70213
 N= 94
 VARIANCE = .783612
 STD DEV = .385219
 RESPONSE FREQUENCY
 1 51
 2 24
 3 15
 4 4
 5 0

QUESTION NUMBER 83
 =====
 MEAN = 1.89362
 N= 94
 VARIANCE = .83975
 STD DEV = .916379
 RESPONSE FREQUENCY
 1 41
 2 25
 3 26
 4 1
 5 1

QUESTION NUMBER 86
 =====
 MEAN = 1.55319
 N= 94
 VARIANCE = .779033
 STD DEV = .882657
 RESPONSE FREQUENCY
 1 61
 2 19
 3 10
 4 3
 5 1

QUESTION NUMBER 89
 =====
 MEAN = 2.55319
 N= 94
 VARIANCE = 1.9493
 STD DEV = 1.39617
 RESPONSE FREQUENCY
 1 29
 2 21
 3 21
 4 9
 5 14

QUESTION NUMBER 84
 =====
 MEAN = 1.41489
 N= 94
 VARIANCE = .625734
 STD DEV = .791034
 RESPONSE FREQUENCY
 1 69
 2 14
 3 9
 4 1
 5 1

QUESTION NUMBER 87
 =====
 MEAN = 1.7234
 N= 94
 VARIANCE = .859667
 STD DEV = .927182
 RESPONSE FREQUENCY
 1 50
 2 25
 3 16
 4 1
 5 2

APPENDIX 13 RESPONSES FROM TECHNICIAN STUDENTS OVER 18 YEARS OF AGE

QUESTION NUMBER 1
 =====
 MEAN = 3.19149
 N= 94
 VARIANCE = 1.81439
 STD DEV = 1.34699
 RESPONSE FREQUENCY
 1 13
 2 17
 3 25
 4 17
 5 22

QUESTION NUMBER 4
 =====
 MEAN = 3.19149
 N= 94
 VARIANCE = 1.23248
 STD DEV = 1.13247
 RESPONSE FREQUENCY
 1 8
 2 12
 3 45
 4 12
 5 17

QUESTION NUMBER 7
 =====
 MEAN = 4.30851
 N= 94
 VARIANCE = .979295
 STD DEV = .989593
 RESPONSE FREQUENCY
 1 4
 2 2
 3 6
 4 31
 5 51

QUESTION NUMBER 2
 =====
 MEAN = 3.80851
 N= 94
 VARIANCE = 1.41014
 STD DEV = 1.18749
 RESPONSE FREQUENCY
 1 6
 2 9
 3 14
 4 33
 5 32

QUESTION NUMBER 5
 =====
 MEAN = 1.69149
 N= 94
 VARIANCE = .809082
 STD DEV = .89949
 RESPONSE FREQUENCY
 1 49
 2 31
 3 10
 4 2
 5 2

QUESTION NUMBER 3
 =====
 MEAN = 2.23424
 N= 94
 VARIANCE = .711181
 STD DEV = .843315
 RESPONSE FREQUENCY
 1 19
 2 39
 3 32
 4 3
 5 1

QUESTION NUMBER 3
 =====
 MEAN = 2.80851
 N= 94
 VARIANCE = 1.5378
 STD DEV = 1.24008
 RESPONSE FREQUENCY
 1 15
 2 30
 3 15
 4 26
 5 3

QUESTION NUMBER 6
 =====
 MEAN = 2.05319
 N= 94
 VARIANCE = 1.15674
 STD DEV = 1.07552
 RESPONSE FREQUENCY
 1 33
 2 38
 3 12
 4 7
 5 4

QUESTION NUMBER 9
 =====
 MEAN = 2.37234
 N= 94
 VARIANCE = .893278
 STD DEV = .945134
 RESPONSE FREQUENCY
 1 15
 2 42
 3 27
 4 7
 5 3

QUESTION NUMBER 10
 =====
 MEAN = 4
 N= 94
 VARIANCE = 1.35106
 STD DEV = 1.36054
 RESPONSE FREQUENCY
 1 12
 2 2
 3 9
 4 22
 5 49

QUESTION NUMBER 13
 =====
 MEAN = 2.7234
 N= 94
 VARIANCE = 2.11499
 STD DEV = 1.4543
 RESPONSE FREQUENCY
 1 29
 2 14
 3 20
 4 16
 5 15

QUESTION NUMBER 16
 =====
 MEAN = 1.81915
 N= 94
 VARIANCE = 1.10559
 STD DEV = 1.05147
 RESPONSE FREQUENCY
 1 47
 2 29
 3 9
 4 6
 5 3

QUESTION NUMBER 11
 =====
 MEAN = 2.92550
 N= 94
 VARIANCE = 1.94126
 STD DEV = 1.39329
 RESPONSE FREQUENCY
 1 22
 2 15
 3 19
 4 24
 5 14

QUESTION NUMBER 14
 =====
 MEAN = 2.5
 N= 94
 VARIANCE = 1.9734
 STD DEV = 1.40478
 RESPONSE FREQUENCY
 1 30
 2 26
 3 11
 4 15
 5 12

QUESTION NUMBER 17
 =====
 MEAN = 1.89362
 N= 94
 VARIANCE = 1.28656
 STD DEV = 1.13426
 RESPONSE FREQUENCY
 1 46
 2 26
 3 14
 4 2
 5 6

QUESTION NUMBER 12
 =====
 MEAN = 1.91489
 N= 94
 VARIANCE = 1.07787
 STD DEV = 1.0382
 RESPONSE FREQUENCY
 1 41
 2 32
 3 11
 4 8
 5 2

QUESTION NUMBER 15
 =====
 MEAN = 2.12766
 N= 94
 VARIANCE = .398596
 STD DEV = .947943
 RESPONSE FREQUENCY
 1 24
 2 44
 3 19
 4 4
 5 3

QUESTION NUMBER 18
 =====
 MEAN = 2.07447
 N= 94
 VARIANCE = 1.21786
 STD DEV = 1.10357
 RESPONSE FREQUENCY
 1 36
 2 27
 3 19
 4 6
 5 4

QUESTION NUMBER 19

=====

MEAN = 4.29737

N= 94

VARIANCE = 1.23042

STD DEV = 1.10924

RESPONSE FREQUENCY

1	5
2	3
3	9
4	19
5	58

QUESTION NUMBER 22

=====

MEAN = 2.05319

N= 94

VARIANCE = 1.17802

STD DEV = 1.08537

RESPONSE FREQUENCY

1	37
2	27
3	22
4	4
5	4

QUESTION NUMBER 25

=====

MEAN = 1.47372

N= 94

VARIANCE = .433589

STD DEV = .695405

RESPONSE FREQUENCY

1	57
2	31
3	5
4	0
5	1

QUESTION NUMBER 20

=====

MEAN = 2.51064

N= 94

VARIANCE = 2.16478

STD DEV = 1.47132

RESPONSE FREQUENCY

1	32
2	23
3	15
4	7
5	17

QUESTION NUMBER 23

=====

MEAN = 2.80851

N= 94

VARIANCE = 1.32503

STD DEV = 1.1511

RESPONSE FREQUENCY

1	13
2	22
3	41
4	6
5	12

QUESTION NUMBER 26

=====

MEAN = 2.48936

N= 94

VARIANCE = 1.43393

STD DEV = 1.21317

RESPONSE FREQUENCY

1	19
2	39
3	17
4	9
5	10

QUESTION NUMBER 21

=====

MEAN = 2.55319

N= 94

VARIANCE = 1.41738

STD DEV = 1.19054

RESPONSE FREQUENCY

1	18
2	34
3	23
4	10
5	9

QUESTION NUMBER 24

=====

MEAN = 1.38293

N= 94

VARIANCE = 1.13343

STD DEV = 1.09015

RESPONSE FREQUENCY

1	45
2	23
3	12
4	5
5	4

QUESTION NUMBER 27

=====

MEAN = 3.19149

N= 94

VARIANCE = 1.41014

STD DEV = 1.18749

RESPONSE FREQUENCY

1	5
2	27
3	24
4	21
5	17

QUESTION NUMBER 23
 =====
 MEAN = 1.25532
 N= 94
 VARIANCE = .275237
 STD DEV = .524631
 RESPONSE FREQUENCY
 1 74
 2 16
 3 4
 4 0
 5 0

QUESTION NUMBER 31
 =====
 MEAN = 3.7234
 N= 94
 VARIANCE = 1.49796
 STD DEV = 1.22391
 RESPONSE FREQUENCY
 1 7
 2 7
 3 24
 4 23
 5 33

QUESTION NUMBER 34
 =====
 MEAN = 3.01064
 N= 94
 VARIANCE = .776481
 STD DEV = .881181
 RESPONSE FREQUENCY
 1 4
 2 18
 3 51
 4 15
 5 6

QUESTION NUMBER 29
 =====
 MEAN = 1.57447
 N= 94
 VARIANCE = .584882
 STD DEV = .764776
 RESPONSE FREQUENCY
 1 55
 2 25
 3 13
 4 1
 5 0

QUESTION NUMBER 32
 =====
 MEAN = 2.93617
 N= 94
 VARIANCE = 1.95337
 STD DEV = 1.39763
 RESPONSE FREQUENCY
 1 21
 2 15
 3 24
 4 17
 5 17

QUESTION NUMBER 35
 =====
 MEAN = 2.88298
 N= 94
 VARIANCE = .933113
 STD DEV = .965978
 RESPONSE FREQUENCY
 1 4
 2 33
 3 32
 4 20
 5 5

QUESTION NUMBER 30
 =====
 MEAN = 1.48936
 N= 94
 VARIANCE = .462653
 STD DEV = .680186
 RESPONSE FREQUENCY
 1 55
 2 26
 3 10
 4 0
 5 0

QUESTION NUMBER 33
 =====
 MEAN = 2.40425
 N= 94
 VARIANCE = .96424
 STD DEV = .981957
 RESPONSE FREQUENCY
 1 15
 2 41
 3 27
 4 7
 5 4

QUESTION NUMBER 36
 =====
 MEAN = 2.29787
 N= 94
 VARIANCE = .911273
 STD DEV = .954606
 RESPONSE FREQUENCY
 1 16
 2 48
 3 19
 4 3
 5 3

QUESTION NUMBER 37
 =====
 MEAN = 2.80851
 N= 94
 VARIANCE = 1.6229
 STD DEV = 1.27393
 RESPONSE FREQUENCY
 1 15
 2 30
 3 19
 4 13
 5 12

QUESTION NUMBER 38
 =====
 MEAN = 2
 N= 94
 VARIANCE = 1.10633
 STD DEV = 1.05185
 RESPONSE FREQUENCY
 1 35
 2 37
 3 13
 4 5
 5 4

QUESTION NUMBER 39
 =====
 MEAN = 2.15957
 N= 94
 VARIANCE = .814963
 STD DEV = .902753
 RESPONSE FREQUENCY
 1 22
 2 42
 3 23
 4 4
 5 2

QUESTION NUMBER 40
 =====
 MEAN = 2.64394
 N= 94
 VARIANCE = 1.24909
 STD DEV = 1.11763
 RESPONSE FREQUENCY
 1 18
 2 21
 3 37
 4 12
 5 6

QUESTION NUMBER 41
 =====
 MEAN = 2.54255
 N= 94
 VARIANCE = .929039
 STD DEV = .963867
 RESPONSE FREQUENCY
 1 11
 2 38
 3 32
 4 9
 5 4

QUESTION NUMBER 42
 =====
 MEAN = 2.42553
 N= 94
 VARIANCE = 1.2019
 STD DEV = 1.09631
 RESPONSE FREQUENCY
 1 20
 2 33
 3 28
 4 7
 5 6

QUESTION NUMBER 43
 =====
 MEAN = 3.07447
 N= 94
 VARIANCE = 1.0902
 STD DEV = 1.04413
 RESPONSE FREQUENCY
 1 6
 2 20
 3 39
 4 19
 5 10

QUESTION NUMBER 44
 =====
 MEAN = 2.76596
 N= 94
 VARIANCE = 1.13671
 STD DEV = 1.06617
 RESPONSE FREQUENCY
 1 11
 2 27
 3 36
 4 13
 5 7

QUESTION NUMBER 45
 =====
 MEAN = 3.41489
 N= 94
 VARIANCE = 1.90233
 STD DEV = 1.37925
 RESPONSE FREQUENCY
 1 9
 2 23
 3 10
 4 24
 5 28

QUESTION NUMBER 46
 =====
 MEAN = 2.37234
 N = 94
 VARIANCE = 1.31881
 STD DEV = 1.14829
 RESPONSE FREQUENCY
 1 23
 2 35
 3 20
 4 10
 5 6

QUESTION NUMBER 49
 =====
 MEAN = 2.53191
 N = 94
 VARIANCE = 1.18515
 STD DEV = 1.08365
 RESPONSE FREQUENCY
 1 14
 2 41
 3 19
 4 15
 5 5

QUESTION NUMBER 52
 =====
 MEAN = 2.7234
 N = 94
 VARIANCE = 1.17882
 STD DEV = 1.03573
 RESPONSE FREQUENCY
 1 9
 2 33
 3 24
 4 16
 5 7

QUESTION NUMBER 47
 =====
 MEAN = 2.69149
 N = 94
 VARIANCE = 1.91546
 STD DEV = 1.334
 RESPONSE FREQUENCY
 1 24
 2 24
 3 16
 4 17
 5 13

QUESTION NUMBER 50
 =====
 MEAN = 2.56383
 N = 94
 VARIANCE = 1.09699
 STD DEV = 1.04737
 RESPONSE FREQUENCY
 1 14
 2 35
 3 27
 4 14
 5 4

QUESTION NUMBER 53
 =====
 MEAN = 3.29787
 N = 94
 VARIANCE = 1.74106
 STD DEV = 1.31949
 RESPONSE FREQUENCY
 1 11
 2 15
 3 27
 4 17
 5 24

QUESTION NUMBER 48
 =====
 MEAN = 2.22213
 N = 94
 VARIANCE = 1.11872
 STD DEV = 1.0577
 RESPONSE FREQUENCY
 1 28
 2 33
 3 22
 4 6
 5 3

QUESTION NUMBER 51
 =====
 MEAN = 2.67021
 N = 94
 VARIANCE = 1.32741
 STD DEV = 1.15213
 RESPONSE FREQUENCY
 1 11
 2 40
 3 22
 4 11
 5 10

QUESTION NUMBER 54
 =====
 MEAN = 3.17021
 N = 94
 VARIANCE = 1.41784
 STD DEV = 1.19073
 RESPONSE FREQUENCY
 1 7
 2 19
 3 29
 4 24
 5 14

QUESTION NUMBER 55
 =====
 MEAN = 1.93617
 N= 94
 VARIANCE = .889543
 STD DEV = .943156
 RESPONSE FREQUENCY
 1 35
 2 33
 3 15
 4 4
 5 2

QUESTION NUMBER 58
 =====
 MEAN = 1.78723
 N= 94
 VARIANCE = .741964
 STD DEV = .861373
 RESPONSE FREQUENCY
 1 44
 2 29
 3 13
 4 3
 5 0

QUESTION NUMBER 61
 =====
 MEAN = 2.1283
 N= 94
 VARIANCE = .991507
 STD DEV = .995744
 RESPONSE FREQUENCY
 1 25
 2 40
 3 21
 4 3
 5 4

QUESTION NUMBER 56
 =====
 MEAN = 3.2234
 N= 94
 VARIANCE = .918177
 STD DEV = .953216
 RESPONSE FREQUENCY
 1 3
 2 16
 3 42
 4 23
 5 10

QUESTION NUMBER 59
 =====
 MEAN = 1.70213
 N= 94
 VARIANCE = .570847
 STD DEV = .755544
 RESPONSE FREQUENCY
 1 44
 2 35
 3 14
 4 1
 5 0

QUESTION NUMBER 62
 =====
 MEAN = 2.43617
 N= 94
 VARIANCE = 1.01186
 STD DEV = 1.00592
 RESPONSE FREQUENCY
 1 15
 2 39
 3 29
 4 6
 5 5

QUESTION NUMBER 57
 =====
 MEAN = 2.20213
 N= 94
 VARIANCE = .948509
 STD DEV = .973914
 RESPONSE FREQUENCY
 1 21
 2 46
 3 17
 4 7
 5 3

QUESTION NUMBER 60
 =====
 MEAN = 2.03191
 N= 94
 VARIANCE = 1.05213
 STD DEV = 1.02576
 RESPONSE FREQUENCY
 1 36
 2 29
 3 21
 4 6
 5 2

QUESTION NUMBER 63
 =====
 MEAN = 2.01064
 N= 94
 VARIANCE = .733928
 STD DEV = .856696
 RESPONSE FREQUENCY
 1 29
 2 39
 3 23
 4 2
 5 1

QUESTION NUMBER 64
 =====
 MEAN = 2.14894
 N= 94
 VARIANCE = .786329
 STD DEV = .886752
 RESPONSE FREQUENCY
 1 22
 2 43
 3 24
 4 3
 5 2

QUESTION NUMBER 67
 =====
 MEAN = 2.37234
 N= 94
 VARIANCE = 1.70711
 STD DEV = 1.30656
 RESPONSE FREQUENCY
 1 16
 2 26
 3 19
 4 20
 5 13

QUESTION NUMBER 70
 =====
 MEAN = 1.38298
 N= 94
 VARIANCE = .593027
 STD DEV = .773309
 RESPONSE FREQUENCY
 1 69
 2 13
 3 5
 4 2
 5 2

QUESTION NUMBER 65
 =====
 MEAN = 1.60628
 N= 94
 VARIANCE = .634431
 STD DEV = .913472
 RESPONSE FREQUENCY
 1 53
 2 33
 3 4
 4 0
 5 4

QUESTION NUMBER 68
 =====
 MEAN = 1.82979
 N= 94
 VARIANCE = .928478
 STD DEV = .963575
 RESPONSE FREQUENCY
 1 42
 2 35
 3 10
 4 5
 5 2

QUESTION NUMBER 71
 =====
 MEAN = 3
 N= 94
 VARIANCE = 1.57447
 STD DEV = 1.25473
 RESPONSE FREQUENCY
 1 9
 2 30
 3 24
 4 14
 5 17

QUESTION NUMBER 66
 =====
 MEAN = 2.73404
 N= 94
 VARIANCE = 2.04629
 STD DEV = 1.43049
 RESPONSE FREQUENCY
 1 21
 2 30
 3 15
 4 9
 5 19

QUESTION NUMBER 69
 =====
 MEAN = 2.85298
 N= 94
 VARIANCE = 1.82673
 STD DEV = 1.35157
 RESPONSE FREQUENCY
 1 13
 2 34
 3 17
 4 11
 5 19

QUESTION NUMBER 72
 =====
 MEAN = 3.24468
 N= 94
 VARIANCE = 1.54652
 STD DEV = 1.24359
 RESPONSE FREQUENCY
 1 8
 2 20
 3 27
 4 19
 5 20

QUESTION NUMBER 73

=====

MEAN = 1.52128

N= 94

VARIANCE = .760185

STD DEV = .871836

RESPONSE	FREQUENCY
1	62
2	20
3	9
4	1
5	2

QUESTION NUMBER 76

=====

MEAN = 2.61702

N= 94

VARIANCE = 1.12992

STD DEV = 1.06298

RESPONSE	FREQUENCY
1	15
2	26
3	40
4	6
5	7

QUESTION NUMBER 79

=====

MEAN = 2.51064

N= 94

VARIANCE = 1.90946

STD DEV = 1.38183

RESPONSE	FREQUENCY
1	31
2	19
3	21
4	11
5	12

QUESTION NUMBER 74

=====

MEAN = 3.46309

N= 94

VARIANCE = 1.73534

STD DEV = 1.31846

RESPONSE	FREQUENCY
1	7
2	19
3	21
4	17
5	30

QUESTION NUMBER 77

=====

MEAN = 2.24468

N= 94

VARIANCE = 1.26992

STD DEV = 1.12691

RESPONSE	FREQUENCY
1	30
2	23
3	23
4	9
5	4

QUESTION NUMBER 80

=====

MEAN = 2.42553

N= 94

VARIANCE = 1.43595

STD DEV = 1.19831

RESPONSE	FREQUENCY
1	23
2	33
3	21
4	9
5	3

QUESTION NUMBER 75

=====

MEAN = 2.71277

N= 94

VARIANCE = 1.16218

STD DEV = 1.07804

RESPONSE	FREQUENCY
1	13
2	25
3	40
4	8
5	8

QUESTION NUMBER 78

=====

MEAN = 2.26596

N= 94

VARIANCE = 1.66331

STD DEV = 1.28969

RESPONSE	FREQUENCY
1	33
2	29
3	16
4	6
5	10

QUESTION NUMBER 81

=====

MEAN = 2.39362

N= 94

VARIANCE = 1.96209

STD DEV = 1.40075

RESPONSE	FREQUENCY
1	35
2	21
3	16
4	10
5	12

QUESTION NUMBER 82
 =====
 MEAN = 2.64894
 N# 94
 VARIANCE = 1.41931
 STD DEV = 1.19135
 RESPONSE FREQUENCY
 1 20
 2 22
 3 30
 4 15
 5 7

QUESTION NUMBER 85
 =====
 MEAN = 1.5
 N# 94
 VARIANCE = .845745
 STD DEV = .919644
 RESPONSE FREQUENCY
 1 66
 2 15
 3 10
 4 0
 5 3

QUESTION NUMBER 83
 =====
 MEAN = 1.7234
 N# 94
 VARIANCE = .987326
 STD DEV = .993643
 RESPONSE FREQUENCY
 1 54
 2 19
 3 16
 4 3
 5 2

QUESTION NUMBER 83
 =====
 MEAN = 2.06353
 N# 94
 VARIANCE = 1.2933
 STD DEV = 1.13745
 RESPONSE FREQUENCY
 1 41
 2 18
 3 28
 4 2
 5 5

QUESTION NUMBER 86
 =====
 MEAN = 1.41489
 N# 94
 VARIANCE = .753393
 STD DEV = .867932
 RESPONSE FREQUENCY
 1 70
 2 15
 3 6
 4 0
 5 3

QUESTION NUMBER 39
 =====
 MEAN = 2.34043
 N# 94
 VARIANCE = 1.53624
 STD DEV = 1.25946
 RESPONSE FREQUENCY
 1 28
 2 31
 3 21
 4 3
 5 11

QUESTION NUMBER 84
 =====
 MEAN = 1.34043
 N# 94
 VARIANCE = .623792
 STD DEV = .792964
 RESPONSE FREQUENCY
 1 75
 2 10
 3 7
 4 0
 5 2

QUESTION NUMBER 87
 =====
 MEAN = 1.54255
 N# 94
 VARIANCE = .716271
 STD DEV = .846328
 RESPONSE FREQUENCY
 1 61
 2 18
 3 13
 4 1
 5 1

LECTURER NO. 11

3	2	5	4	2	3	4	3	2	4	3	5	1	3	2	2	4	4	4	4	4	1	1	1
1	3	5	1	1	1	5	1	2	3	2	1	3	1	1	1	3	3	1	2	3	2	2	1
1	3	3	1	2	4	3	3	2	2	1	1	1	3	2	1	1	1	5	1	5	1	4	5
1	5	3	2	4	2	3	4	3	2	3	1	2	3	3	3	2							

LECTURER NO. 12

5	4	5	5	4	3	4	4	3	2	3	4	4	2	4	4	5	4	3	4	5	5	4	1
1	4	4	4	2	1	3	4	2	2	5	2	4	2	4	3	3	2	4	4	5	4	1	3
2	4	4	3	5	2	2	2	2	4	2	2	4	4	4	5	2	4	5	2	5	2	5	5
1	5	4	4	2	1	4	4	2	2	2	4	4	4	4	4	5							

LECTURER NO. 13

4	2	5	3	3	2	4	3	4	1	2	3	3	3	3	1	1	4	4	3	3	4	5	3
1	2	1	1	2	1	2	1	3	4	2	3	3	3	2	3	2	1	3	3	4	2	2	3
2	2	2	4	4	2	1	3	2	3	2	2	1	3	3	3	1	4	5	2	5	1	3	4
1	4	3	2	2	1	2	2	2	3	1	2	2	2	3	2	3							

LECTURER NO. 14

3	4	5	5	4	4	3	3	3	4	2	2	3	2	3	2	4	4	3	3	5	5	5	1
1	5	2	2	1	1	2	3	3	5	5	4	5	4	4	3	4	4	3	4	4	1	1	4
4	4	3	4	4	4	2	3	3	2	1	2	3	5	4	3	2	3	5	3	5	2	5	5
2	5	5	5	3	1	5	3	1	5	1	2	1	3	1	3	4							

LECTURER NO. 15

3	2	4	3	2	2	4	2	3	2	2	4	3	2	4	4	2	3	3	2	3	3	3	3
1	3	4	2	2	2	5	4	2	2	2	3	4	2	2	2	3	3	3	3	4	2	2	2
2	2	2	2	2	3	3	3	3	2	2	2	3	3	3	3	1	4	5	3	2	1	3	4
2	3	3	3	2	2	3	3	3	3	2	2	2	2	2	2	2	2						

LECTURER NO. 16

3	4	4	3	2	2	4	2	3	3	2	2	3	2	3	1	3	2	5	2	3	1	1	1
1	3	3	2	2	1	3	3	2	3	3	2	2	2	2	2	2	2	2	2	3	1	1	1
2	2	2	2	3	2	2	2	1	2	1	1	2	2	2	2	1	5	5	1	2	1	3	3
1	3	2	1	2	3	1	2	3	3	1	1	1	1	1	1	1	2						

LECTURER NO. 17

2	3	4	3	2	4	4	4	2	3	2	2	2	2	2	3	2	2	3	3	2	2	2	2
2	3	4	1	2	2	4	4	2	2	3	2	2	2	2	2	2	2	2	3	4	2	2	2
2	2	2	2	2	2	2	3	4	2	2	2	2	4	4	2	1	1	2	1	1	1	2	2
1	2	3	2	2	2	2	2	2	1	1	2	1	1	1	1	1	3						

LECTURER NO. 18

5	3	4	4	3	4	4	4	4	2	1	4	3	2	4	2	5	4	3	2	4	2	3	1
2	4	3	2	2	1	3	3	4	2	4	4	4	2	3	3	4	3	3	4	4	2	2	3
3	3	3	2	4	4	2	4	2	2	3	3	2	4	2	4	1	4	4	3	5	1	3	4
2	4	3	2	3	2	2	3	2	4	1	1	2	1	3	2	2							

LECTURER NO. 19

5	2	5	2	1	3	5	2	2	2	3	1	3	1	4	1	5	3	4	4	3	3	5	3
1	3	5	1	1	1	5	1	3	3	3	5	3	3	2	2	2	1	3	5	5	4	2	3
2	2	3	3	4	5	3	4	1	4	3	4	3	5	5	4	1	4	5	4	4	1	4	5
3	5	5	1	2	4	1	2	2	3	1	1	1	1	1	1	2							

LECTURER NO. 20

1	3	5	2	1	5	2	1	1	1	1	2	1	1	3	1	3	2	3	1	4	1	1	1
1	3	5	1	1	1	1	1	1	1	1	2	4	2	1	1	1	1	1	5	4	2	2	1
1	3	3	1	2	1	1	3	4	2	1	1	2	4	4	2	1	3	1	1	3	1	2	3
1	2	4	1	1	1	1	1	1	1	1	4	1	1	1	1	1							

LECTURER NO. 21

4 4 3 4 3 3 4 2 3 4 4 3 4 4 2 2 3 3 4 3 4 3 4 3
2 2 3 3 3 3 3 3 3 3 3 4 3 4 3 3 2 2 3 3 4 4 2 3
3 3 2 3 3 3 3 3 3 3 3 3 2 2 3 4 4 2 4 4 3 5 2 4 5
2 5 5 4 4 4 2 3 5 3 2 1 1 2 2 1 2

LECTURER NO. 22

3 3 2 4 2 3 1 3 2 5 3 3 3 1 2 1 1 2 5 3 3 1 1 1
1 3 3 3 3 1 3 4 2 3 3 3 3 1 1 3 3 3 3 3 5 1 5 1
4 3 3 3 3 2 1 3 2 3 3 3 3 3 3 3 1 3 5 1 3 2 5 5
2 5 3 3 3 3 3 3 2 4 1 1 1 3 3 2 5

LECTURER NO. 23

2 4 3 1 2 3 4 2 2 5 2 1 4 2 2 1 1 3 5 1 2 5 3 4
1 3 2 1 1 1 4 4 2 3 4 2 2 1 2 2 2 2 2 1 2 2 2 4
1 2 2 3 5 2 2 2 1 1 1 3 3 2 2 2 1 1 3 2 3 1 2 5
2 5 4 1 2 3 1 2 3 4 4 2 1 1 2 1 2

LECTURER NO. 24

2 2 4 3 1 2 3 2 3 1 1 2 2 1 3 2 3 3 2 2 2 3 3 4
1 5 4 2 2 1 4 4 3 3 3 3 4 3 2 4 3 3 4 4 4 2 1 2
2 2 2 2 4 3 1 2 2 2 2 1 2 2 2 2 1 5 5 1 4 1 5 5
1 4 3 3 4 5 2 4 5 2 2 2 2 2 2 4 4 4

LECTURER NO. 25

5 3 5 5 3 3 3 2 4 5 2 3 1 1 2 3 1 1 1 1 3 1 2 1
1 2 1 1 1 1 3 1 2 3 2 2 2 2 2 3 2 2 2 4 5 2 2 3
2 3 3 3 5 4 3 3 1 3 1 4 3 3 3 3 1 5 5 2 3 1 5 5
3 4 3 5 2 1 5 2 4 4 2 2 2 2 2 2 3

LECTURER NO. 26

5 3 1 3 1 1 5 2 1 5 3 1 5 3 1 2 2 3 5 5 3 1 3 1
1 4 2 1 1 1 4 2 4 3 2 5 3 5 4 3 4 4 4 2 5 1 3 5
4 3 4 3 5 5 4 4 1 2 2 3 3 3 3 2 1 2 3 1 2 1 4 3
1 3 3 1 3 4 3 2 3 3 1 1 1 2 3 4 1

LECTURER NO. 27

5 1 5 4 2 3 4 3 3 1 1 3 3 2 3 1 2 3 4 3 3 3 4 1
1 3 3 1 1 1 4 3 3 3 3 2 3 2 2 2 3 3 5 3 4 2 3 1
2 2 3 3 2 3 1 2 2 1 1 1 3 3 3 4 3 5 5 3 5 2 5 5
1 5 5 4 3 3 4 4 3 5 1 2 3 2 3 3 4

LECTURER NO. 28

5 5 5 5 1 1 5 4 1 1 1 1 1 1 1 5 3 4 1 1 5 1 5 4
1 5 5 2 1 1 5 3 4 3 2 4 5 1 2 3 5 5 5 1 5 2 1 4
4 5 5 4 5 5 2 4 5 3 3 4 3 3 3 1 3 4 1 5 1 4 3
1 5 4 4 2 4 3 3 2 3 2 2 2 3 1 1 2

LECTURER NO. 29

4 4 4 3 2 2 3 1 2 5 2 1 1 3 2 2 4 1 5 5 5 1 3 1
1 5 5 1 1 1 5 5 3 3 5 5 5 1 1 3 3 3 4 5 3 1 2 4
3 1 4 3 5 3 3 3 2 1 1 1 5 4 1 1 1 4 4 1 5 1 5 5
1 5 5 2 1 1 5 1 4 5 1 1 1 2 1 4 3

LECTURER NO. 30

4 4 3 5 1 3 5 2 2 4 3 2 3 1 2 4 2 4 4 5 5 2 2 3
1 4 5 1 1 1 5 4 4 4 3 4 4 3 3 4 3 3 5 2 5 2 2 2
3 4 5 5 5 5 3 4 3 2 2 1 2 3 3 3 2 3 4 3 5 1 5 5
3 4 2 3 2 2 4 2 2 4 2 2 2 2 2 5 3

LECTURER NO. 31

4	1	4	3	2	4	3	3	1	5	2	1	2	2	3	1	3	2	3	5	4	5	5	1
1	5	4	1	1	1	4	3	4	4	3	5	3	4	3	5	4	5	4	2	5	2	2	2
4	4	4	2	3	5	3	4	4	3	2	1	2	2	2	2	2	1	5	5	3	1	4	5
4	5	2	3	3	2	2	1	1	2	1	2	1	1	1	2	1							

LECTURER NO. 32

4	4	5	5	5	1	2	3	3	5	1	3	3	1	3	1	1	2	2	3	5	1	5	2
1	3	2	2	2	3	4	4	3	5	1	3	3	4	3	5	3	3	4	3	4	3	2	1
1	3	3	3	3	2	5	4	4	2	2	4	3	2	2	2	1	5	5	2	5	3	5	5
2	5	3	3	3	2	2	1	3	2	2	4	3	3	1	1	3							

LECTURER NO. 33

3	2	4	3	4	3	2	2	4	3	3	3	3	2	3	4	3	3	2	3	4	4	3	2
1	1	1	2	2	4	1	3	3	2	2	2	2	4	3	2	2	4	2	3	5	3	3	2
2	3	4	2	1	2	2	1	5	3	2	3	3	2	3	3	3	5	5	1	3	3	5	5
2	3	1	2	3	4	4	1	3	2	2	4	3	3	3	2	1							

LECTURER NO. 34

5	3	4	4	4	3	4	5	3	1	2	2	3	4	3	1	3	2	3	1	4	2	3	1
1	4	4	2	3	2	2	2	3	3	2	4	4	2	2	3	4	4	2	2	5	3	2	4
4	2	4	4	4	4	2	4	3	2	2	3	2	2	2	1	2	5	5	1	5	1	5	5
1	5	1	3	2	2	3	3	2	4	2	2	2	2	2	2	4							

LECTURER NO. 35

3	1	4	4	3	2	1	4	2	1	1	1	3	1	3	3	1	3	3	4	4	1	1	1
1	2	2	1	1	1	3	2	4	3	3	4	5	3	3	3	4	3	1	2	4	4	2	1
3	3	3	2	5	5	3	5	1	3	3	1	1	3	1	4	4	5	3	1	3	2	4	4
2	3	2	4	4	3	1	1	1	2	4	1	2	2	1	3	4							

LECTURER NO. 36

3	4	4	4	2	2	4	2	3	4	2	2	3	3	3	3	3	2	3	3	3	3	2	2
3	4	4	2	2	1	3	3	3	2	4	4	3	2	3	2	3	2	3	2	3	3	4	4
3	3	2	4	4	5	2	3	3	2	2	3	3	3	2	2	2	3	4	4	3	2	3	4
3	3	2	3	3	3	3	3	3	3	2	2	2	2	2	2	2							

LECTURER NO. 37

2	5	3	3	4	4	4	3	2	5	1	3	1	1	4	4	5	3	5	3	3	1	3	1
1	1	2	3	2	2	3	4	2	4	4	3	1	2	3	2	4	4	4	3	5	1	1	1
3	3	3	2	4	4	3	4	2	1	2	1	2	2	4	2	2	4	5	1	4	2	5	5
2	2	5	5	5	2	4	2	2	4	3	2	2	2	2	2	5							

LECTURER NO. 38

4	2	5	3	3	5	1	4	4	1	1	1	1	1	4	2	2	3	3	5	4	1	1	5
1	3	4	1	1	1	5	2	4	4	3	4	4	2	3	4	3	3	4	4	5	2	1	2
3	2	4	3	2	5	2	4	3	2	3	3	2	2	2	2	1	5	5	1	2	2	5	5
1	5	2	2	1	1	2	1	1	5	1	1	1	1	3	4	1							

LECTURER NO. 39

3	3	5	5	3	3	3	4	4	1	1	5	2	1	5	3	3	3	3	3	3	1	3	2
1	3	3	3	3	3	3	3	3	3	2	3	3	2	3	3	4	3	5	3	3	3	1	5
3	5	3	3	3	3	3	3	3	2	3	3	3	3	3	3	4	5	3	5	2	4	5	
3	5	3	3	3	3	3	3	3	3	4	3	3	3	3	3	5							

LECTURER NO. 40

4	3	5	2	2	4	3	4	4	3	2	1	3	2	2	2	3	4	5	3	2	2	2	4
2	3	2	4	3	3	2	3	3	2	3	3	2	3	2	2	3	3	3	3	3	2	2	4
4	3	3	3	3	3	4	3	3	3	3	2	3	3	3	4	2	5	5	1	3	2	3	5
1	3	3	4	2	1	3	4	2	2	2	1	3	1	3	1	2							

LECTURER NO. 41

1	4	3	2	2	2	4	4	3	2	4	3	3	2	2	2	4	3	4	2	4	1	2	2
2	3	3	2	2	1	2	4	2	2	4	3	3	2	2	2	2	2	3	2	2	2	4	2
2	2	2	2	3	2	3	2	2	3	3	3	3	3	2	1	3	4	1	2	1	4	4	
1	4	3	2	2	3	2	2	3	2	1	1	1	1	1	1	1							

LECTURER NO. 42

3	3	3	3	2	3	4	2	3	5	3	3	3	2	2	3	4	3	3	2	3	2	2	3
3	3	3	2	3	2	3	3	3	3	3	3	2	3	3	3	3	3	3	3	2	2	2	2
3	2	2	3	4	3	4	2	2	3	2	3	3	4	3	2	2	3	3	2	3	1	5	5
1	5	3	2	2	2	2	2	2	2	1	1	1	1	1	1	1							

LECTURER NO. 43

3	3	2	3	2	3	3	3	3	3	2	3	2	2	2	3	4	2	3	2	1	1	2	1
1	1	3	1	1	1	3	2	2	2	3	2	1	2	1	3	2	2	2	3	2	2	2	2
2	2	2	2	3	2	1	3	1	1	1	3	2	3	3	2	1	1	3	1	3	2	2	3
1	3	3	2	3	3	1	2	2	4	2	1	1	2	2	1	2							

LECTURER NO. 44

4	5	4	3	3	2	1	3	3	3	2	2	2	1	2	2	4	3	3	4	5	1	2	2
2	3	4	2	1	1	3	4	3	2	2	2	4	2	3	4	3	3	4	3	4	2	2	3
3	2	3	2	4	3	2	4	4	2	1	1	1	3	2	1	1	3	5	1	3	1	5	5
1	3	2	2	2	1	3	3	3	4	3	4	2	4	2	4	4							

LECTURER NO. 45

4	2	5	2	4	2	4	4	5	4	2	2	3	2	3	2	2	4	4	4	4	2	4	2
1	3	2	2	2	1	2	2	2	2	1	3	2	2	2	2	2	2	3	3	4	2	3	3
2	3	3	3	3	2	2	3	2	3	2	3	2	4	2	2	2	4	4	2	4	2	5	5
2	5	4	2	3	2	2	3	4	3	2	1	2	2	1	1	2							

LECTURER NO. 46

4	4	4	3	3	3	3	2	3	4	3	3	3	1	4	5	4	3	4	3	4	1	1	2
2	3	3	1	3	2	3	3	3	3	3	3	2	2	2	3	2	2	3	3	5	2	2	3
3	3	2	3	4	3	3	2	2	3	2	3	3	3	3	3	2	4	4	2	3	2	4	4
2	4	3	2	2	2	2	2	2	2	2	1	1	1	1	1	1							

LECTURER NO. 47

2	4	3	2	1	2	5	2	2	3	3	2	3	2	2	1	3	2	3	1	3	2	2	2
2	3	3	2	2	1	3	3	2	2	4	3	2	2	2	2	2	2	2	3	4	1	3	3
2	2	2	2	2	2	4	2	1	2	2	2	2	2	2	2	1	4	4	1	3	1	5	5
1	5	3	3	2	2	2	2	3	2	1	1	1	1	1	1	1							

LECTURER NO. 48

4	1	3	1	3	5	1	5	4	5	1	3	3	1	5	5	1	3	1	2	3	1	4	1
1	1	1	1	1	1	5	5	1	3	3	3	1	1	1	1	3	3	1	1	1	1	1	5
1	3	3	1	5	1	1	1	1	5	1	1	1	5	5	5	1	5	5	1	5	1	5	5
1	5	5	2	2	5	1	1	5	1	5	1	1	3	1	1	5							

LECTURER NO. 49

3	3	3	4	2	3	4	4	3	3	2	3	3	2	3	5	5	3	4	4	3	4	4	3
2	3	5	3	3	3	4	1	3	3	2	3	4	3	2	3	3	3	4	3	2	3	4	2
3	4	3	3	2	4	3	3	3	3	3	4	4	4	4	4	2	4	4	2	5	3	5	4
2	5	3	3	3	3	4	3	5	3	3	3	3	3	3	3	3							

LECTURER NO. 50

2	4	4	4	2	2	4	3	2	4	1	2	3	1	2	4	4	5	4	2	4	4	5	2
1	2	3	2	3	1	1	1	3	2	4	2	2	2	2	2	3	4	3	3	5	1	2	5
2	2	2	2	2	1	2	1	1	2	1	3	1	4	2	2	1	3	5	1	5	1	3	5
1	5	5	2	1	1	2	2	2	1	2	1	1	1	2	1	1							

LECTURER NO. 51

2	4	5	3	3	4	3	2	4	2	2	2	3	1	3	2	5	3	5	4	5	3	3	2
2	2	4	1	3	1	2	3	2	4	3	3	2	1	1	1	1	2	3	3	4	2	2	2
2	3	2	2	3	1	1	1	1	2	1	3	2	3	3	2	2	3	4	1	4	1	3	4
1	4	4	4	3	1	2	3	4	5	2	2	3	2	2	2	4							

LECTURER NO. 52

4	4	4	3	3	3	3	3	3	1	1	3	4	2	3	3	5	4	3	3	4	2	4	3
1	4	4	2	3	1	4	4	4	4	2	4	5	4	3	3	3	4	4	3	5	2	1	3
4	4	3	3	5	4	3	4	3	3	2	2	2	4	4	3	2	4	5	2	3	1	5	5
1	5	5	3	1	4	2	2	4	5	1	1	1	1	1	3	2							

LECTURER NO. 53

4	1	5	5	3	3	5	3	5	1	1	1	1	1	3	3	5	1	3	5	3	1	1	1
1	3	3	1	1	1	4	1	3	5	1	3	3	1	3	3	1	2	4	5	5	3	1	3
4	2	2	3	1	4	5	3	4	2	3	5	3	5	3	3	1	5	5	2	5	1	5	5
2	5	3	1	1	1	3	3	3	5	3	3	1	1	1	3	3							

LECTURER NO. 54

2	3	3	1	2	2	4	3	2	3	1	4	3	1	2	4	3	4	4	1	2	1	2	1
1	2	4	2	1	1	3	2	4	4	5	3	2	5	2	3	3	2	3	2	5	3	1	3
3	3	2	3	5	2	2	2	2	1	3	3	3	2	2	2	1	4	3	1	4	1	3	3
3	5	3	1	3	2	2	3	1	2	2	1	1	2	3	1	2							

LECTURER NO. 55

5	3	5	4	2	3	3	3	5	1	1	3	3	1	3	2	3	4	3	5	4	5	3	4
2	3	4	1	1	1	5	3	2	3	4	2	4	5	3	4	3	3	5	4	4	3	4	3
3	4	4	5	4	4	3	4	4	3	3	2	3	3	4	4	1	2	3	4	5	1	3	4
2	5	2	3	3	3	4	3	2	3	3	2	2	4	5	5	3							

LECTURER NO. 56

2	4	4	4	4	4	4	2	2	2	2	4	4	2	2	4	4	2	2	4	4	4	5	2
1	2	4	2	2	2	4	4	2	2	4	2	4	2	2	2	2	4	2	2	4	2	4	2
2	2	2	2	4	2	3	2	2	2	2	2	2	4	4	2	2	4	4	2	4	2	2	5
2	4	2	2	2	1	2	2	2	4	2	1	1	2	2	2	1							

LECTURER NO. 57

2	4	2	3	1	2	4	3	3	5	4	2	4	2	2	4	3	3	5	2	5	1	5	1
1	2	3	3	3	2	1	1	3	4	5	1	5	3	3	1	1	2	4	4	5	1	4	3
3	3	2	4	5	2	3	4	2	4	1	5	2	5	3	1	1	4	5	2	5	1	4	5
1	5	5	3	2	1	3	2	2	2	5	2	1	2	1	1	3							

LECTURER NO. 58

1	1	5	5	3	1	1	4	4	1	1	5	3	1	5	5	5	5	4	1	1	1	1	1
1	1	3	1	4	1	3	1	1	5	1	1	1	1	5	1	1	5	5	3	5	5	5	5
3	5	3	3	1	3	5	4	1	2	1	5	1	5	1	5	2	5	5	2	5	2	5	5
3	5	4	5	3	1	1	1	1	1	1	1	1	1	1	1	4							

LECTURER NO. 59

3	3	2	4	2	3	2	2	3	4	2	2	2	1	3	4	1	2	3	2	3	2	4	2
1	2	5	2	2	2	4	2	3	2	4	4	4	2	2	2	4	4	4	3	4	2	2	3
2	5	2	4	5	2	3	4	3	3	2	1	4	3	2	3	3	2	5	1	2	4	3	5
1	5	5	4	2	1	2	3	1	3	3	3	1	1	5	2	1							

LECTURER NO. 60

5	3	5	5	3	3	3	3	3	4	3	3	3	3	3	3	3	3	4	5	5	2	3	4
2	4	3	1	3	3	3	4	2	4	3	3	4	1	3	3	3	3	3	3	3	3	5	3
3	4	2	5	3	2	4	5	3	4	2	1	5	3	4	3	2	4	5	3	5	1	3	5
3	4	5	2	3	2	2	4	4	5	1	4	4	3	4	3	2							

LECTURER NO. 61

4	5	4	3	3	3	4	4	4	3	2	3	3	1	2	3	3	3	5	2	5	3	3	3
1	5	4	2	3	1	3	3	3	3	3	2	4	4	4	3	3	3	3	3	5	2	1	3
3	3	3	2	4	3	3	3	3	4	2	2	3	3	4	4	1	4	5	1	3	3	4	4
4	4	5	3	2	2	3	3	3	3	3	1	1	2	3	1	2							

LECTURER NO. 62

4	3	4	3	3	3	3	3	4	2	2	3	3	3	3	3	4	4	3	2	3	2	3	2
2	3	3	2	2	2	3	3	3	3	3	3	2	2	2	2	2	2	3	2	3	2	2	3
3	4	3	4	4	3	3	2	3	3	3	2	3	4	4	4	2	4	4	2	4	2	3	4
2	4	4	3	3	2	2	3	3	3	3	1	1	2	2	2	2							

LECTURER NO. 63

3	2	5	4	3	3	3	3	3	3	1	1	3	3	1	4	1	3	3	2	4	3	3	3
3	1	3	3	3	3	1	4	2	4	3	3	3	4	2	3	2	3	4	5	3	5	5	5
3	4	4	4	3	5	2	3	4	3	3	2	3	5	5	5	2	4	5	5	5	2	5	5
4	5	5	4	3	3	4	3	3	3	3	3	3	3	3	3	4							

LECTURER NO. 64

5	2	5	2	3	2	3	3	3	2	3	3	3	2	4	3	2	4	3	2	5	3	3	3
2	3	3	3	3	4	1	3	3	3	2	3	4	2	2	2	2	3	3	2	4	2	1	4
2	2	3	2	3	2	2	3	2	2	2	3	2	3	3	3	1	4	5	4	5	1	1	3
3	4	5	2	2	3	3	3	3	3	2	2	3	2	3	2	4							

LECTURER NO. 65

4	2	5	5	4	5	1	3	4	4	1	3	5	1	3	3	5	4	2	3	5	1	3	5
1	5	5	1	3	1	5	1	5	3	1	3	5	5	1	4	1	3	2	5	2	5	1	3
5	5	5	3	5	5	3	5	4	4	3	5	3	3	3	3	1	5	5	2	5	1	5	5
1	5	1	1	3	3	3	3	1	1	2	2	3	2	3	4	1							

LECTURER NO. 66

4	5	3	2	1	4	4	2	2	1	1	4	2	1	2	2	1	4	2	4	4	1	5	3
2	5	1	1	4	3	4	4	4	4	3	4	5	4	3	4	4	2	2	2	4	1	5	5
3	5	5	4	4	3	3	4	5	5	4	5	5	5	5	5	2	4	4	2	5	5	4	5
2	5	5	5	5	1	5	5	4	2	5	2	2	4	2	2	4							

LECTURER NO. 67

3	4	3	2	2	3	3	3	2	3	2	2	2	2	2	4	2	3	4	3	3	2	2	2
2	3	3	2	3	2	4	4	3	3	3	3	3	2	2	2	5	3	5	2	4	3	4	4
4	3	3	3	3	3	3	3	4	3	3	2	3	3	3	4	1	2	3	2	5	2	2	3
2	4	3	4	2	1	3	3	1	3	3	2	2	2	3	2	4							

LECTURER NO. 68

5	1	5	5	5	5	5	5	5	1	1	5	1	5	5	5	5	3	1	3	5	5	4	4
1	3	2	3	1	1	4	1	4	5	4	2	2	2	3	2	3	3	4	3	4	3	4	4
3	3	3	3	1	3	3	3	3	2	2	1	4	4	3	3	2	4	4	3	4	1	5	5
2	5	1	3	1	1	3	1	1	1	5	1	1	3	2	1	5							

LECTURER NO. 69

5	3	4	3	4	4	4	3	4	2	1	1	3	2	2	4	4	4	3	3	2	1	3	1
1	4	4	2	3	2	5	5	2	3	4	2	2	2	3	3	2	2	2	3	5	1	2	3
2	1	2	2	4	2	2	3	2	3	1	1	2	4	4	4	1	3	5	4	5	1	2	4
4	5	1	2	2	2	3	3	3	5	2	1	1	1	1	1	2							

LECTURER NO. 70

5	1	5	5	1	3	4	2	4	3	2	4	3	1	4	3	4	4	3	3	4	2	4	3
1	4	2	1	1	1	1	1	1	3	3	3	1	3	1	3	1	2	3	1	5	3	5	5
4	2	3	3	3	3	2	4	2	2	1	3	3	4	4	2	1	4	5	5	5	1	4	4
1	2	5	2	1	1	1	1	2	4	2	1	1	1	1	1	5							

LECTURER NO. 71

2	4	4	2	2	5	1	2	4	3	2	4	1	2	1	4	3	4	1	4	1	1	1	1
1	3	1	1	1	3	3	2	2	3	2	2	2	2	2	2	2	2	2	2	1	3	3	2
2	1	2	3	2	2	2	2	2	3	2	3	2	4	4	4	2	4	4	1	4	1	5	5
1	5	3	2	2	2	2	2	2	3	3	2	1	1	1	1	1							

LECTURER NO. 72

4	4	4	4	3	4	4	4	4	4	2	3	2	2	4	2	2	4	2	2	4	1	2	3
2	3	3	3	2	2	4	4	2	3	3	3	3	3	3	2	3	4	2	2	4	4	2	3
2	2	3	2	4	2	3	2	3	2	2	2	3	2	3	3	2	3	3	3	2	2	4	4
1	2	3	3	2	1	3	2	1	2	2	1	2	1	3	2	4							

LECTURER NO. 73

5	1	5	5	1	1	5	1	1	1	1	1	1	1	1	5	3	4	1	1	5	1	5	4
1	5	5	1	1	1	4	3	1	3	2	4	5	1	2	3	4	5	5	1	5	1	1	5
4	4	4	4	1	5	2	4	5	3	1	3	3	3	3	3	1	4	5	1	5	1	5	5
1	4	1	4	2	3	5	3	2	3	2	2	3	2	2	1	5							

LECTURER NO. 74

4	3	4	3	2	2	4	2	3	4	3	3	3	2	2	3	3	3	3	2	3	5	2	1
2	2	3	2	1	1	3	4	1	3	3	2	1	1	2	2	2	2	3	2	4	2	3	3
2	2	2	2	3	2	2	2	2	3	1	2	2	3	3	2	1	3	3	1	2	1	3	3
1	3	3	3	1	1	1	1	1	2	1	1	1	1	1	1	1							

RESPONSES * CRAFT UNDER 18 YEARS OF AGE

STUDENT NO. 1

3	5	1	2	1	1	5	3	1	5	4	2	5	1	5	5	1	1	5	1	5	3	1	1
1	1	5	1	1	1	5	5	1	4	4	2	1	1	1	1	1	4	3	1	1	1	2	2
2	1	1	1	3	1	1	3	1	1	1	1	1	1	1	1	1	3	1	2	1	1	3	
1	1	1	1	3	5	1	3	5	2	1	1	1	1	1	1	1							

STUDENT NO. 2

5	5	5	3	1	1	5	3	3	5	3	1	5	5	2	1	1	1	5	5	5	5	5	5
5	1	3	1	3	1	5	5	1	3	3	3	5	1	1	1	1	1	5	5	1	3	5	1
1	1	1	1	5	5	5	1	1	5	1	1	1	1	1	3	1	1	5	1	1	1	1	3
1	3	3	3	3	3	1	3	1	5	1	1	1	1	1	1	1	3						

STUDENT NO. 3

4	5	2	3	1	1	5	2	2	5	3	3	5	5	1	1	3	3	3	5	4	3	3	3
3	2	4	2	3	3	5	3	3	3	4	2	3	2	3	3	3	1	3	3	5	3	1	1
3	1	2	4	5	3	3	3	1	1	2	3	2	1	1	2	2	4	5	1	2	1	1	3
1	1	3	3	2	1	4	2	2	4	3	1	1	1	1	1	1							

STUDENT NO. 4

3	4	2	2	1	1	5	1	1	5	1	1	5	5	1	1	1	1	5	1	1	1	3	1
3	1	2	1	1	1	1	3	1	1	3	1	1	1	1	1	1	1	1	1	1	1	1	1
1	1	1	1	5	1	1	3	1	1	1	1	1	1	1	1	3	3	3	1	3	3	1	1
1	2	1	3	2	3	2	1	1	1	1	1	1	1	1	1	1							

STUDENT NO. 5

3	5	2	3	1	2	4	3	2	4	4	3	4	2	2	1	3	2	5	2	2	1	2	1
1	1	1	1	1	2	4	2	1	3	4	1	2	1	1	2	2	3	2	2	3	1	3	2
2	2	2	2	2	3	3	2	1	2	2	2	2	2	1	2	3	2	3	2	3	1	2	3
2	2	3	3	2	3	2	4	5	3	1	1	3	2	2	3	3							

STUDENT NO. 6

5	5	4	3	1	1	5	2	2	2	3	2	5	3	2	3	2	2	5	3	5	2	3	3
3	3	3	2	2	1	5	3	3	3	3	3	3	3	3	4	4	3	4	5	3	4	5	4
3	3	3	2	4	3	3	3	2	4	2	4	3	3	2	3	4	3	3	2	2	2	4	2
3	3	3	3	2	3	4	2	3	3	3	2	2	2	2	3	3							

STUDENT NO. 7

1	1	3	1	3	1	1	3	3	1	3	5	3	1	1	3	3	3	5	5	5	3	1	3
1	1	1	1	3	1	3	1	1	1	5	3	5	5	5	1	1	3	1	3	3	1	1	5
3	3	3	4	3	3	5	3	1	3	1	3	1	3	5	1	1	5	5	3	3	5	1	1
5	3	3	3	3	3	3	3	3	3	1	1	3	3	1	1	1							

STUDENT NO. 8

5	3	5	3	3	4	1	5	5	5	1	1	5	4	5	3	2	5	4	1	1	1	3	3
1	1	5	1	2	1	4	4	3	3	3	3	4	3	3	3	3	3	4	2	5	3	2	5
3	3	4	3	5	3	2	3	3	2	3	2	2	3	2	2	5	5	5	1	5	5	5	5
1	5	3	3	3	3	3	3	3	3	3	5	5	5	1	1	3							

STUDENT NO. 9

5	5	1	5	1	1	5	1	1	5	5	1	5	2	1	1	1	1	5	1	2	2	2	1
1	1	2	1	1	1	5	4	1	1	2	1	1	1	1	1	2	1	4	3	2	2	4	1
1	1	1	1	3	2	1	1	1	1	1	1	1	1	1	2	1	2	4	1	2	1	1	1
1	1	1	1	2	4	1	2	4	2	1	1	1	1	1	1	1							

STUDENT NO. 10

2	5	1	2	1	1	5	1	1	5	3	3	2	1	1	1	1	1	5	1	1	1	1	1
1	1	1	1	1	1	5	5	1	1	3	3	3	1	1	1	1	1	1	1	1	1	5	1
1	1	1	1	5	1	1	1	1	1	1	1	1	1	3	2	2	5	3	2	2	1	4	3
1	2	2	2	3	5	1	2	4	3	1	1	1	1	1	1	1							

STUDENT NO. 11

3 5 3 4 1 1 5 2 1 3 4 3 5 5 1 2 3 2 5 5 4 3 3 2
1 1 4 1 2 4 5 5 2 2 5 1 3 1 3 2 2 2 5 4 1 1 5 1
2 3 4 5 5 2 2 3 2 1 2 5 5 5 1 3 2 1 2 1 3 2 3 3
1 2 3 1 5 3 2 5 3 1 1 1 1 1 1 1 2

STUDENT NO. 12

4 5 1 2 1 1 5 1 1 5 3 1 5 1 1 1 3 1 5 1 2 5 3 3
5 1 2 1 1 1 3 4 1 2 4 1 2 1 2 2 3 2 1 3 1 1 5 1
1 1 1 2 3 4 2 2 1 2 1 3 1 3 1 1 1 2 4 1 1 1 2 3
1 2 3 3 3 3 2 3 1 1 2 1 1 1 1 1 3

STUDENT NO. 13

2 4 3 5 2 5 3 3 3 5 2 4 2 1 3 2 5 5 4 5 2 1 2 2
2 4 3 1 2 1 4 2 3 2 4 2 4 3 3 2 3 3 4 3 4 3 1 2
2 4 2 4 3 5 3 3 2 2 2 3 2 2 2 3 2 3 3 3 3 1 3 2
3 3 2 2 1 1 3 2 1 3 3 3 3 3 3 3 3

STUDENT NO. 14

3 5 3 4 1 1 3 3 2 4 3 2 3 1 2 1 2 3 5 3 2 1 2 1
1 3 4 1 1 1 4 3 3 3 4 4 4 2 2 3 3 3 4 3 2 3 2 2
2 2 2 4 4 5 3 4 2 3 2 2 2 3 2 2 2 3 4 3 3 1 3 2
3 3 2 3 1 1 2 1 1 3 3 3 3 3 3 3 3

STUDENT NO. 15

3 5 1 3 1 2 5 2 1 5 4 1 4 1 1 1 3 1 5 3 2 2 3 1
1 1 3 1 1 1 2 2 2 3 1 2 2 1 2 3 1 2 5 2 5 1 5 5
2 1 3 3 5 5 1 3 1 1 1 3 1 2 2 1 1 1 4 1 2 1 1 4
1 2 1 3 1 1 1 5 5 3 2 1 1 1 1 1 1

STUDENT NO. 16

5 5 3 1 1 3 5 2 3 5 3 1 4 1 2 1 1 1 5 1 1 1 1 1
1 1 5 1 1 1 5 5 1 4 3 1 1 1 1 1 1 3 3 5 1 1 5 2
1 1 1 1 5 3 1 3 1 3 5 1 1 1 1 1 3 5 5 1 1 3 5 1
1 5 1 1 1 1 1 3 1 1 1 1 1 1 1 1 1

STUDENT NO. 17

3 5 2 5 1 1 5 3 4 5 4 1 4 1 3 1 1 1 1 1 5 1 3 1
1 1 3 1 3 1 5 5 5 5 1 5 5 1 1 1 5 3 3 3 3 3 3 3
3
3 3 3 3 3 3 5 1 5 1 1 1 1 1 1 1 5

STUDENT NO. 18

3 5 2 3 1 1 5 1 1 3 3 2 5 3 1 1 2 2 5 2 5 5 3 3
2 2 5 1 3 1 5 3 1 3 3 3 4 1 2 1 5 3 2 5 3 3 2 3
1 3 2 4 3 3 1 2 3 1 3 2 2 3 1 1 5 4 3 1 3 4 4 4
1 3 3 2 2 2 3 2 1 1 2 2 1 2 1 1 2

STUDENT NO. 19

2 3 4 3 2 2 5 3 3 5 5 2 4 3 2 1 5 3 5 1 2 1 3 1
1 1 2 2 3 1 3 4 3 3 3 3 2 2 2 1 2 2 4 4 5 3 3 1
1 3 1 2 1 2 3 3 1 1 1 3 4 3 2 3 3 5 3 1 2 3 4 2
1 2 3 3 2 2 4 1 2 1 1 1 3 2 2 2 3

STUDENT NO. 20

4 5 2 3 2 2 4 2 2 4 4 2 4 5 3 3 1 1 5 3 3 2 3 3
2 2 2 2 3 3 4 2 2 3 4 2 2 2 2 3 3 3 3 3 2 3 4 2
2 2 3 3 4 3 2 3 2 3 3 2 2 3 3 3 2 3 4 1 4 2 4 4
2 3 3 2 2 3 2 3 3 1 2 1 2 1 2 2 3

STUDENT NO. 21

3 5 2 1 1 2 5 5 2 5 2 1 5 1 2 2 1 1 5 1 1 1 1 1 1
1 2 1 1 1 1 2 1 2 4 2 2 1 1 1 1 2 1 2 5 1 1 1 1 1
2 2 1 5 1 1 2 5 1 1 1 2 1 3 2 3 1 3 4 1 1 1 5 5
1 5 2 1 2 1 3 2 1 1 1 1 1 1 1 1 5

STUDENT NO. 22

4 4 1 3 1 1 5 4 1 5 4 1 3 3 2 2 2 2 5 2 2 2 3 3
3 2 1 2 4 2 3 2 1 3 2 2 1 1 1 1 2 1 2 5 1 1 1 1
2 2 1 5 1 1 2 5 1 1 1 2 1 3 1 2 2 4 4 1 2 2 3 2
1 1 2 3 2 2 2 2 3 3 2 2 2 1 2 1 1 4

STUDENT NO. 23

2 4 1 2 1 1 5 2 2 3 4 3 5 3 2 4 2 1 4 2 2 2 3 2
2 2 4 2 3 1 3 3 1 3 3 2 3 2 2 3 3 2 2 3 1 2 5 1
2 3 2 2 2 2 2 3 1 2 2 3 2 2 2 2 1 3 4 2 2 1 3 3
1 2 3 1 2 4 1 2 4 1 2 1 1 1 1 1 1

STUDENT NO. 24

1 5 1 3 1 1 5 4 2 5 3 1 4 2 1 1 1 1 5 1 1 1 1 1
1 2 1 1 1 1 3 1 1 4 2 2 1 1 1 1 1 3 1 5 1 1 1 1
1 2 1 5 2 1 2 5 1 1 1 1 3 2 2 1 2 3 2 1 2 2 2 2
1 2 2 3 2 1 1 1 4 1 1 1 1 1 1 1 1

STUDENT NO. 25

4 3 4 4 3 4 2 3 3 4 2 2 2 2 3 4 3 5 2 3 2 2 2 1
1 1 1 1 4 1 2 1 1 2 2 2 2 2 2 3 2 3 3 4 3 4 2
2 2 2 2 5 3 2 2 2 2 2 3 3 3 2 2 1 5 5 1 3 1 5 5
1 3 3 2 2 2 2 2 2 3 2 1 1 1 1 1 4

STUDENT NO. 26

5 2 1 3 1 1 5 2 2 5 2 2 3 1 2 1 1 3 5 2 2 1 3 4
2 3 4 1 1 1 5 5 5 3 2 2 4 3 2 2 2 2 3 2 1 4 3 1
2 2 3 2 5 3 3 4 2 2 2 3 3 3 3 3 4 5 1 2 1 2 3
1 2 2 2 2 3 2 2 3 2 2 1 1 1 1 1 1

STUDENT NO. 27

4 3 1 5 1 1 5 3 2 2 2 2 2 2 1 2 1 3 5 3 2 2 4 4
1 3 4 1 3 1 4 3 2 3 3 4 3 2 1 4 4 4 3 5 2 4 5 1
3 4 2 4 2 5 1 4 1 4 1 1 2 3 2 3 4 4 2 4 3 4 3 2
2 3 3 1 2 4 1 3 1 3 4 1 1 1 1 1 1

STUDENT NO. 28

2 4 3 3 1 1 5 4 4 5 2 2 1 1 2 2 3 1 5 4 3 3 3 1
5 3 2 1 3 3 4 1 3 4 3 3 1 4 3 5 3 2 3 2 1 4 3 1
2 2 3 2 5 3 3 4 2 2 4 3 4 1 3 3 3 4 5 1 2 5 5 3
1 3 5 3 3 3 2 2 3 2 3 4 5 3 1 3 3

STUDENT NO. 29

1 3 5 3 1 5 4 4 3 3 1 3 3 1 3 1 5 1 3 5 5 5 1 3
1 1 5 3 1 1 5 5 1 1 1 5 5 1 5 5 3 5 5 5 3 3 5 2
3 3 5 2 1 3 5 3 3 2 1 1 5 1 4 1 5 5 5 1 2 3 3 5
1 2 5 5 5 5 1 5 5 3 3 3 3 3 3 3 3

STUDENT NO. 30

3 5 1 3 2 1 5 2 2 4 3 2 5 3 2 2 2 2 5 2 2 2 4 1
1 2 2 1 1 1 2 2 2 2 2 2 2 2 2 2 3 2 2 3 4 4 3 2 1
2 2 2 2 3 2 1 2 2 2 2 3 2 2 2 2 2 5 2 1 2 2 4 2
1 3 2 3 3 3 2 3 3 1 2 1 2 1 2 2 3

STUDENT NO. 31

4	5	3	5	3	4	4	3	3	3	5	5	3	2	3	3	3	3	5	3	2	5	1	3
3	3	3	3	3	3	3	3	3	3	3	3	3	3	3	3	3	3	3	3	3	3	3	3
3	3	3	3	3	3	3	3	3	3	3	3	3	3	3	3	3	3	3	3	3	3	3	3
3	3	3	3	3	3	3	3	3	3	3	3	3	3	3	3	3	3	3	3	3	3	3	3

STUDENT NO. 32

2	5	3	5	1	2	5	2	3	5	5	2	3	2	1	1	5	2	5	5	3	1	1	2
2	2	5	2	2	1	4	4	4	3	3	2	4	1	1	2	3	2	2	2	4	4	3	2
2	2	4	4	3	2	5	4	2	2	2	2	2	3	2	3	2	4	4	2	2	2	5	2
1	2	3	3	2	3	4	2	4	3	2	2	2	2	1	2	4							

STUDENT NO. 33

4	3	4	5	5	5	2	4	5	5	5	1	1	1	4	3	3	1	1	1	2	4	3	3
3	3	3	1	1	2	3	4	2	3	4	3	3	2	1	2	1	3	3	3	1	2	2	1
2	2	2	2	1	3	3	3	3	3	2	3	3	3	3	3	1	2	1	1	3	1	2	1
1	2	4	3	1	1	2	1	1	1	1	1	1	1	1	1	3							

STUDENT NO. 34

4	5	4	1	2	2	4	2	3	1	3	2	1	3	2	1	1	2	5	1	5	3	2	4
1	2	4	1	2	1	3	4	2	3	5	1	4	1	1	2	1	3	2	1	5	2	1	2
2	2	4	3	1	1	1	2	2	1	1	2	1	2	1	4	1	1	2	1	2	1	2	1
2	3	4	2	5	4	1	3	4	5	1	1	1	2	3	3	3							

STUDENT NO. 35

4	4	2	3	2	3	4	2	3	4	3	3	3	2	3	3	2	2	4	3	2	2	3	1
1	3	2	2	2	2	2	2	3	3	3	3	2	2	3	2	3	3	3	3	2	2	4	3
3	3	3	3	3	2	2	3	2	2	2	3	2	3	2	2	1	2	2	2	2	2	4	2
3	2	3	2	3	4	2	3	2	3	2	2	2	2	2	2	4							

STUDENT NO. 36

3	5	1	5	1	1	5	3	1	5	5	2	5	5	1	1	1	2	5	3	3	3	3	3
2	3	4	2	3	1	3	5	2	4	2	3	3	1	2	2	2	2	3	2	3	2	3	3
2	2	2	1	4	2	2	3	2	2	2	2	2	2	2	2	1	2	1	1	1	1	3	1
1	2	2	3	2	2	3	2	1	2	2	1	1	1	1	1	2							

STUDENT NO. 37

3	3	3	3	3	3	5	4	3	3	1	1	1	1	2	5	3	4	1	3	1	3	4	1
1	2	1	1	2	1	1	1	3	1	2	1	1	3	3	1	4	3	4	4	4	5	2	3
1	4	3	5	4	2	3	2	2	2	5	1	3	4	3	5	2	2	1	5	5	3	1	4
2	2	3	4	2	2	3	1	5	1	4	3	3	2	4	5	5							

STUDENT NO. 38

4	4	2	3	2	2	4	3	3	4	2	2	4	2	3	3	2	2	5	2	3	2	2	3
3	1	4	1	1	1	4	3	2	3	3	2	4	2	2	2	2	3	2	3	2	2	4	3
3	2	3	2	3	3	2	3	2	2	2	2	2	3	2	3	3	3	4	2	3	3	3	2
3	3	3	3	3	3	2	2	4	4	1	1	1	1	2	1	1							

STUDENT NO. 39

5	4	4	3	2	2	4	3	4	3	2	2	3	2	3	2	3	2	4	3	2	1	1	2
1	2	4	2	1	2	1	1	2	2	2	2	2	2	3	3	2	3	2	2	2	2	3	2
3	3	2	3	2	2	2	3	2	1	1	3	2	3	2	3	2	3	2	1	3	1	5	1
3	3	3	3	3	4	2	2	3	4	2	1	2	2	2	2	3							

STUDENT NO. 40

5	3	4	3	2	2	5	4	4	5	3	5	4	2	2	2	1	1	5	3	5	3	5	1
1	1	3	1	3	1	2	1	3	5	5	2	1	1	2	3	1	2	3	3	1	1	5	1
2	1	2	1	1	2	3	2	2	1	2	3	3	2	1	1	2	1	1	3	2	2	2	3
3	2	5	1	4	2	1	2	2	3	2	2	1	1	3	1	5							

STUDENT NO. 41

5 4 5 5 3 2 4 2 4 2 1 5 3 1 4 2 1 2 4 5 1 1 1 2
1 1 2 2 2 1 5 2 4 4 2 2 2 2 2 3 2 2 2 2 2 2 2 2
2 2 2 2 2 2 2 3 2 2 2 2 3 3 2 2 2 3 2 3 2 1 1 1
2 3 2 2 2 3 3 2 1 2 1 1 2 1 2 1 3

STUDENT NO. 42

3 4 4 3 3 2 3 3 4 3 2 3 3 5 3 2 2 1 4 2 3 3 2 3
3 3 2 3 3 3 3 4 2 2 4 3 3 3 3 2 3 3 2 2 3 3 3 3
3
3 3 3 3 3 3 3 3 3 3 3 3 3 3 3 3 3

STUDENT NO. 43

3 4 3 2 2 2 3 4 3 3 2 1 4 1 2 2 5 4 4 2 3 2 2 1
2 2 2 1 2 2 4 1 2 3 2 2 2 2 2 3 2 2 2 3 2 2 4 2
2 2 1 2 2 1 2 3 2 2 1 2 2 2 2 2 2 2 2 3 4 3 3 2
2 3 2 2 3 2 2 2 2 3 3 3 3 3 3 3 3

STUDENT NO. 44

3 5 2 2 1 1 4 2 3 5 4 1 4 3 1 2 3 1 5 2 4 1 3 1
2 1 3 1 1 1 5 3 3 3 4 1 1 1 3 5 3 1 5 3 5 4 2 3
2 3 4 4 1 3 5 3 1 1 1 3 1 1 3 1 1 1 2 2 3 5 1
1 2 3 5 1 5 5 3 1 1 1 1 2 3 1 1

STUDENT NO. 45

5 5 5 5 1 3 4 5 5 5 5 5 5 1 3 1 3 1 5 5 5 5 1 1
3 1 5 5 1 1 1 5 5 3 5 1 1 5 5 1 2 5 5 5 1 5 3 5
3 3 5 1 5 1 3 3 5 1 1 1 5 1 5 1 3 5 1 1 1 3 5 5
1 1 1 5 3 3 3 5 1 3 1 1 1 1 1 1 1

STUDENT NO. 46

5 4 5 5 3 4 2 4 4 3 1 2 2 2 3 5 1 3 4 5 4 2 3 2
2 5 4 2 2 2 4 5 3 3 3 3 3 2 2 3 3 4 4 4 4 4 3
4 4 4 4 1 2 3 4 2 2 2 3 2 2 2 3 3 5 5 2 1 3 5 5
1 3 5 3 5 5 2 2 4 1 5 3 3 2 2 1 4

STUDENT NO. 47

5 4 4 2 2 2 4 3 3 4 4 3 5 2 2 3 2 2 1 5 2 3 3 2
4 3 3 2 4 1 4 5 3 3 4 2 2 3 3 2 4 2 2 4 4 3 5 2
2 2 3 3 3 2 2 3 2 2 2 3 2 2 2 2 3 2 2 1 2 4 5 1
1 4 1 1 2 5 2 3 1 1 1 1 1 1 1 1 1 1

STUDENT NO. 48

2 4 4 3 1 1 5 2 2 5 5 2 5 2 2 2 2 1 5 2 3 3 3 3
3 3 2 1 3 1 5 3 3 4 3 2 2 3 4 3 3 3 2 3 5 2 1 1
4 3 2 4 5 3 2 5 3 2 3 2 2 2 2 1 2 2 2 5 1 4 2 3
1 4 3 3 3 2 2 1 1 2 2 2 2 3 1 1 3

STUDENT NO. 49

1 2 1 3 1 1 5 1 1 1 1 2 4 2 2 2 4 2 5 3 2 5 3 2
4 2 3 2 1 1 2 2 2 3 3 2 2 2 3 3 2 3 3 3 4 2 3 1
2 2 2 3 4 3 2 3 2 1 2 3 2 2 1 1 2 3 2 1 2 3 3 2
1 2 2 3 2 2 3 2 1 2 2 1 1 1 1 1 1 1

STUDENT NO. 50

3 4 2 3 1 2 5 2 2 5 3 4 5 3 2 3 3 2 5 3 3 1 2 2
1 2 3 1 1 1 3 4 3 3 4 3 3 2 2 2 1 3 3 3 5 2 4 3
3 2 3 5 4 3 4 3 2 2 2 3 3 3 3 3 2 2 1 3 3 5 5
1 4 3 3 2 3 4 1 1 1 1 1 1 1 2 2 2

STUDENT NO. 51

1 5 1 2 1 1 5 1 1 5 5 1 5 5 1 1 1 2 5 1 5 1 1 5
1 1 4 1 1 1 5 2 1 1 2 1 2 1 2 2 1 1 2 3 2 1 5 3
1 1 1 1 4 1 1 3 1 1 1 5 4 3 1 4 1 2 4 1 2 2 4 3
1 4 4 3 3 2 4 4 1 3 3 2 1 1 1 1 5

STUDENT NO. 52

3 5 5 3 2 2 5 2 4 5 3 2 3 1 3 2 4 2 4 3 5 1 2 3
3 4 5 1 3 2 5 2 3 3 4 4 1 4 4 3 3 3 4 2 3 5 2 4
4 3 4 4 4 3 3 4 3 2 3 4 3 2 2 3 3 3 4 1 3 5 2 4
1 4 3 2 2 3 5 5 2 1 3 1 2 2 1 1 3

STUDENT NO. 53

2 3 4 3 2 2 4 2 3 5 1 2 5 1 2 2 3 1 3 1 1 1 1 1
1 2 1 1 1 1 1 1 1 4 4 2 1 1 1 1 1 2 2 1 5 1 1 3
1 1 1 3 3 1 2 3 3 3 3 3 3 3 1 1 1 1 2 1 1 1 1 1
1 3 5 1 1 5 1 1 5 1 1 1 1 1 1 1 5

STUDENT NO. 54

4 5 1 4 2 2 5 3 2 5 3 2 4 2 1 3 1 1 5 2 3 3 2 1
1 1 2 1 2 1 5 2 2 4 2 4 1 4 3 2 2 3 2 4 5 2 5 2
4 3 3 3 4 3 2 3 2 3 2 1 2 3 2 2 4 1 3 1 4 3 4 2
1 4 4 3 2 5 2 3 1 1 3 1 1 1 1 1 1

STUDENT NO. 55

5 5 1 3 1 1 5 1 1 4 4 2 4 4 1 2 2 1 5 3 2 3 3 1
1 2 3 2 1 1 1 2 3 3 3 2 2 2 2 3 2 2 3 3 2 1 3 2
2 3 2 4 4 3 2 4 2 1 1 4 2 2 2 3 2 2 3 1 3 2 2 2
1 3 3 2 2 4 1 2 4 5 1 1 1 2 2 1 1

STUDENT NO. 56

4 3 5 3 2 2 4 4 4 3 2 4 3 1 3 3 3 1 4 2 3 2 3 2
1 2 4 2 3 1 3 4 3 3 4 3 3 3 3 4 3 3 3 4 3 4 5 3
3 3 2 3 2 4 4 5 4 3 3 3 3 3 3 3 2 4 5 2 2 3 5 5
1 3 4 4 4 3 4 4 4 4 4 1 2 2 2 5 2 3

STUDENT NO. 57

3 4 3 4 3 2 4 3 3 2 2 2 3 3 3 2 2 2 4 2 3 2 3 3
3 3 2 2 2 2 4 3 2 4 3 2 3 3 3 3 4 3 2 2 4 2 3 3
3 3 3 3 4 3 4 3 3 2 3 2 2 3 3 3 3 3 3 3 3 3 3 3
3 3 3 3 3 3 2 1 4 3 2 2 1 1 1 1 4

STUDENT NO. 58

4 4 5 5 2 2 5 2 3 3 1 1 3 1 2 2 1 3 2 2 1 3 3 3
3 2 4 1 4 1 4 4 3 2 3 3 4 3 2 3 2 3 4 3 4 4 1 3
2 3 2 3 4 2 3 2 1 1 2 4 3 3 2 3 2 2 5 1 1 1 2 4
1 1 4 3 3 4 2 3 4 3 3 1 2 1 1 1 3

STUDENT NO. 59

3 4 4 3 2 2 4 3 3 5 2 3 2 3 2 4 2 2 5 2 3 1 3 3
2 3 3 1 2 2 5 3 2 3 3 2 2 1 3 5 3 3 3 4 2 2 5 1
2 3 2 3 2 2 3 3 2 3 2 4 2 3 3 2 3 2 2 2 4 1 2 4
2 5 3 2 1 1 3 2 1 2 2 1 1 1 1 1 2

STUDENT NO. 60

4 5 4 2 2 2 4 2 2 4 5 1 2 1 2 1 1 5 2 4 3 5 1 1
1 4 1 2 2 4 1 4 3 2 1 1 1 1 2 1 2 2 2 2 1 5 1 2
3 2 4 3 2 2 2 2 1 2 1 1 3 3 3 1 2 2 2 1 2 3 3 1
1 2 1 3 5 1 2 3 2 2 1 1 1 1 1 1 1

STUDENT NO. 61

3 4 3 3 2 2 4 3 4 1 1 4 3 2 3 2 4 2 5 1 1 1 1 1
1 2 2 1 1 2 4 4 2 2 2 2 2 1 2 2 2 2 3 2 2 3 2
2 2 2 3 2 4 2 3 2 2 2 2 2 3 2 2 2 2 3 1 3 2 2 3
1 2 2 2 1 3 2 2 2 1 1 1 1 2 2 1 2

STUDENT NO. 62

3 4 2 2 2 2 5 2 2 5 3 2 3 3 2 2 3 2 4 3 4 3 3 3
3 3 3 3 3 3 3 3 2 3 2 2 2 2 3 2 3 3 2 3 3 3 3 3
3 3 2 3 4 3 3 3 2 3 3 3 3 3 2 2 1 3 2 2 3 2 3 3
2 3 3 3 3 3 2 3 3 2 1 2 2 2 1 2 2

STUDENT NO. 63

3 4 2 4 1 2 5 3 2 5 3 2 2 3 2 2 1 5 3 3 2 3 2 1
2 3 1 2 1 4 2 3 2 2 2 3 2 2 3 3 3 4 3 3 5 2 4 2 3
3 3 2 2 4 2 4 2 2 3 4 2 2 2 3 2 2 4 1 2 2 2 4 1
3 2 3 2 1 3 3 1 1 1 1 1 1 1 1 1 2 2

STUDENT NO. 64

5 5 4 3 5 5 5 1 4 5 3 3 5 5 4 3 5 4 5 5 4 1 2 1
2 3 2 4 3 3 1 3 3 3 3 3 4 3 3 3 3 2 3 4 4 2 3 4
1 1 2 2 2 3 3 3 3 2 2 2 2 2 2 2 3 3 2 2 1 2 3 3
3 1 3 3 2 3 2 3 2 3 1 1 1 1 1 1 1 1

STUDENT NO. 65

1 5 5 4 2 2 4 1 3 1 5 3 5 5 3 1 3 1 5 5 5 3 3 1
1 2 2 1 1 1 5 5 3 2 3 1 3 3 3 3 3 2 5 3 5 2 5 3
1 5 2 4 4 3 2 4 1 2 1 1 1 1 2 3 4 4 4 2 3 4 4 4
1 4 4 4 2 1 3 2 1 2 1 1 1 2 1 1 4

STUDENT NO. 66

1 5 1 3 1 1 5 1 1 5 2 1 5 4 1 5 2 1 5 3 5 1 1 3
1 1 3 1 3 1 5 4 3 2 3 2 5 5 3 3 2 3 5 2 2 2 5 2
3 3 5 3 1 3 2 3 2 3 2 1 1 3 3 3 2 2 3 1 3 4 4 3
1 3 3 2 3 4 4 3 2 3 1 1 1 1 2 2 5

STUDENT NO. 67

1 5 2 3 2 1 5 2 2 1 2 2 4 4 2 2 2 3 5 1 3 1 2 3
1 1 4 1 3 2 5 5 1 3 4 2 2 1 2 3 3 3 2 3 5 3 5 1
2 2 3 2 2 2 2 2 2 2 2 3 2 2 2 1 4 4 4 2 2 3 3 3
1 2 2 3 1 1 4 2 2 2 2 1 1 1 1 1 1

STUDENT NO. 68

5 3 3 4 2 2 3 3 2 3 3 4 2 4 2 3 2 2 4 3 5 3 2 1
1 2 3 2 1 1 5 4 2 3 3 2 4 3 2 4 3 1 3 2 3 3 2 2
2 2 3 4 5 1 1 2 3 3 2 5 2 2 3 5 5 5 2 3 4 5 3 1
5 4 3 2 2 3 1 4 3 1 4 4 2 3 3 4 4

STUDENT NO. 69

2 4 2 3 2 3 4 3 3 4 3 2 2 1 3 3 1 1 5 3 5 4 4 2
2 2 4 1 3 1 4 4 1 4 2 2 4 1 2 3 3 3 2 2 4 1 5 3
2 2 1 2 3 3 2 1 2 2 1 1 1 1 1 1 2 2 5 1 1 2 2 1
1 1 2 1 2 3 2 3 4 1 3 2 1 1 1 1 1 1

STUDENT NO. 70

5 5 2 2 2 2 5 3 3 1 1 2 1 2 3 4 1 1 5 2 5 1 3 5
1 2 5 1 3 1 5 5 4 3 3 3 3 1 3 4 3 4 3 2 5 1 4 3
3 1 4 3 5 3 3 3 1 1 3 3 3 3 3 3 1 1 5 1 1 1 5 5
1 3 4 3 3 3 3 3 3 2 2 2 2 2 5 1 5

STUDENT NO. 71

1 5 3 4 2 2 4 3 3 1 1 3 5 2 2 2 2 2 5 3 3 2 2 4
2 2 4 1 2 1 5 5 2 3 2 2 3 2 2 1 3 2 2 2 3 2 4 3
2 2 2 2 1 1 2 2 1 2 2 3 1 3 1 2 2 2 3 1 2 2 2 3
1 1 2 2 2 1 1 2 3 1 1 1 1 1 1 1 1 1

STUDENT NO. 72

4 4 3 3 4 4 3 2 2 5 4 2 2 1 2 3 4 1 5 2 3 3 2 3
3 1 3 2 3 3 4 1 2 3 2 2 4 3 3 3 3 3 3 3 2 4 4 3
3 4 3 3 2 3 3 2 4 3 3 4 3 2 2 3 2 2 5 1 3 1 2 5
1 3 1 3 3 2 2 3 3 2 1 2 1 2 1 1 2

STUDENT NO. 73

4 4 3 4 2 2 4 4 3 5 1 1 5 4 3 2 4 1 5 2 4 2 2 2
2 2 4 1 1 1 5 1 2 3 4 4 1 2 2 2 2 4 4 1 2 2 5 3
3 4 2 4 2 4 2 2 2 1 1 1 1 1 3 1 3 4 4 1 1 4 4 4
1 1 1 2 2 4 2 2 1 2 2 1 1 1 1 1 1

STUDENT NO. 74

5 5 2 5 1 2 5 2 2 5 4 3 4 4 3 2 2 2 5 2 1 1 1 2
2 1 3 1 2 3 4 5 4 2 2 3 3 4 4 1 3 5 2 1 2 3 1 2
3 4 4 2 3 5 1 2 2 2 2 2 2 2 2 2 5 5 5 5 5 1 3 3
1 1 1 1 1 1 1 1 1 1 2 2 1 1 1 1 1

STUDENT NO. 75

2 4 3 2 2 2 4 2 2 3 5 3 3 3 4 2 2 2 4 3 2 3 3 4
3 3 2 2 3 3 3 3 4 4 3 3 1 3 3 2 3 3 3 2 3 1 2 3
2 3 2 2 2 3 3 3 3 3 3 2 3 3 2 3 1 3 3 2 2 3 3 3
1 3 2 2 4 4 2 4 4 3 3 2 2 2 2 2 2

STUDENT NO. 76

3 2 3 2 3 3 3 3 3 3 1 2 1 1 3 4 4 2 4 2 3 3 2 3
1 3 4 1 2 1 1 3 3 2 3 3 3 4 4 3 3 3 4 2 2 3 2 3
3 4 3 2 1 3 3 3 2 2 2 3 2 2 2 2 3 2 4 1 2 3 3 3
1 3 2 2 1 1 2 2 2 3 3 3 2 2 3 3 4

STUDENT NO. 77

2 4 2 5 1 2 5 2 2 1 1 2 4 1 2 3 2 1 4 5 2 2 2 2
2 2 5 1 1 3 5 5 3 3 4 3 3 2 2 2 5 3 3 3 3 2 2 3
3 2 2 2 5 3 3 3 3 3 3 3 3 3 2 3 3 2 5 1 2 3 2 5
1 1 4 2 5 4 1 5 3 1 1 1 2 2 2 2 2

STUDENT NO. 78

2 2 4 1 1 1 4 2 2 3 3 3 3 2 2 2 2 1 5 1 2 1 2 2
3 4 2 2 3 3 1 3 5 2 1 3 3 2 5 5 2 1 3 3 5 2 1 4
1 4 4 5 2 1 3 1 3 3 1 2 2 2 2 1 2 3 2 5 3 3 2 3
4 4 2 4 2 2 2 4 4 2 4 3 2 4 4 3 3

STUDENT NO. 79

1 1 3 1 1 1 5 1 1 5 5 1 5 1 1 5 5 5 1 1 1 5 1 1
1 1 1 1 1 1 1 1 1 1 5 1 1 1 1 1 5 3 2 1 4 1 4 2
4 2 4 2 3 1 1 2 1 5 1 1 5 1 1 3 5 5 1 5 1 4 5 1
1 4 3 5 1 1 1 1 1 1 1 1 1 1 1 5 1 1

STUDENT NO. 80

5 5 1 1 1 1 5 1 2 5 1 2 5 5 1 1 1 3 5 3 3 3 3 4
1 1 5 1 2 1 4 5 1 3 2 1 4 1 1 1 2 2 1 2 2 1 5 1
1 2 1 2 3 1 1 2 1 1 1 1 1 1 2 1 1 3 1 1 1 2 2 2
1 1 1 4 4 1 5 5 1 3 1 1 1 1 1 2 1

STUDENT NO. 81

5 5 1 1 1 1 5 1 2 5 1 1 5 5 2 1 1 1 5 1 3 2 3 4
2 1 4 1 2 1 5 4 1 3 2 2 4 2 2 2 2 2 1 1 2 1 5 1
1 2 1 1 3 1 1 1 1 1 1 1 1 1 2 1 3 2 1 1 1 2 2
1 1 1 1 1 1 1 5 1 3 1 1 1 1 1 1 1

STUDENT NO. 82

5 3 1 3 1 1 5 2 2 3 1 4 5 4 3 4 4 2 5 1 1 3 1 2
2 1 1 1 1 1 3 2 2 1 2 5 1 1 1 1 1 2 1 1 1 3 5 1
1 2 1 3 1 3 1 3 2 3 2 3 2 3 2 2 1 5 1 1 3 2 5 1
1 1 3 3 2 3 3 1 5 3 1 1 2 1 2 2 2

STUDENT NO. 83

2 5 2 4 2 2 5 3 2 4 4 2 4 4 2 2 2 3 5 1 3 3 2 1
1 2 3 2 2 1 4 3 2 3 2 2 4 2 2 3 2 3 3 2 4 2 4 3
2 3 3 2 4 2 2 2 2 3 3 2 3 3 3 3 2 3 2 1 4 2 2 2
1 4 3 3 3 3 3 3 3 2 4 2 2 2 3 2 4

STUDENT NO. 84

2 4 1 1 1 1 5 1 1 5 1 1 1 1 1 1 1 5 1 5 1 1 3
3 1 2 2 2 1 2 1 2 4 3 1 1 2 2 2 2 2 2 2 1 1 5 2
1 2 2 4 5 4 3 2 1 3 2 2 2 2 1 2 1 2 1 2 3 1 1 1
1 5 1 2 2 2 2 2 2 1 1 1 1 1 1 2 1

STUDENT NO. 85

2 5 4 1 1 1 5 4 1 5 3 1 5 2 1 1 1 1 5 3 4 2 3 5
5 1 1 1 3 1 4 5 1 4 3 1 4 1 1 1 1 3 3 3 1 1 5 1
1 2 2 1 1 5 3 3 1 1 2 3 3 3 3 3 1 2 5 1 3 2 3 4
1 5 3 1 2 1 3 3 3 3 2 1 1 1 3 3 3

STUDENT NO. 86

4 3 3 3 3 3 2 5 4 1 1 2 1 1 4 3 2 1 5 5 1 1 2 3
2 2 2 2 2 3 1 2 2 3 2 2 2 2 3 3 3 3 4 4 2 3 4 3
3 4 3 3 1 3 2 4 2 2 2 3 4 2 3 4 3 5 5 3 4 3 5 5
3 3 3 5 4 2 3 3 1 2 3 3 3 2 5 2 5

STUDENT NO. 87

2 5 3 3 2 1 3 1 1 2 1 2 3 4 3 1 2 1 3 1 1 1 3 3
2 2 1 1 3 1 1 1 1 3 2 2 2 1 3 1 1 2 2 1 3 2 2 1
2 1 3 1 1 3 3 3 2 3 2 3 1 1 1 1 3 2 5 1 1 1 1 1
1 5 3 2 5 5 1 5 5 1 1 1 1 1 1 1 1

STUDENT NO. 88

4 4 2 3 1 1 5 2 3 5 2 2 3 1 1 3 4 1 5 2 2 3 3 1
1 2 4 1 3 1 5 2 3 3 4 2 4 2 2 3 2 3 3 3 4 2 3 3
2 3 2 3 4 3 2 3 2 2 3 2 1 3 3 3 2 2 2 1 4 1 2 2
1 3 3 2 3 4 3 2 2 2 3 1 1 1 2 1 2

STUDENT NO. 89

3 2 1 3 1 1 5 3 2 5 3 3 4 2 2 2 1 2 4 3 2 3 3 2
2 2 3 2 3 1 5 3 2 3 3 2 3 2 3 2 3 3 3 3 2 3 3 3
3 2 3 3 5 3 3 3 3 2 2 3 3 3 3 3 1 3 3 1 3 1 2 3
1 3 3 3 2 2 3 2 1 1 2 2 1 1 1 1 2

STUDENT NO. 90

4 5 3 5 1 1 5 1 3 2 1 3 5 1 1 4 1 1 5 1 1 2 3 3
2 1 3 1 1 1 4 1 1 3 1 1 2 1 2 3 3 2 1 2 3 1 1 2
2 2 2 1 3 1 4 3 1 1 2 3 2 3 1 1 2 1 4 2 1 3 2 4
1 1 2 1 5 5 1 1 5 1 1 1 1 1 2 1 2

STUDENT NO. 91

1	5	3	3	5	5	5	3	2	1	1	3	2	2	2	1	1	1	4	3	3	3	3	1
1	5	5	1	2	1	1	4	2	3	4	2	2	1	2	2	1	5	4	3	1	1	1	2
4	2	2	3	5	5	1	5	1	1	3	3	1	3	2	2	1	3	2	1	2	1	3	2
1	3	2	2	1	2	1	1	1	1	1	1	1	1	1	1	1	2						

STUDENT NO. 92

1	4	4	2	1	1	5	3	3	4	2	1	1	2	2	2	3	1	5	1	4	1	2	1
1	2	5	1	3	1	5	2	1	1	4	1	2	1	2	2	2	2	2	1	1	2	5	1
2	2	2	1	1	4	2	1	3	1	2	2	2	2	2	2	2	2	3	1	2	1	1	3
1	3	2	1	1	1	1	1	1	3	3	1	1	1	1	1	1							

STUDENT NO. 93

2	4	3	3	1	1	5	1	2	5	3	3	5	1	1	1	1	1	5	1	3	3	5	1
1	3	4	2	1	1	5	5	1	3	3	1	4	2	2	5	2	2	1	3	5	3	4	1
3	2	2	2	3	2	2	3	1	2	3	2	3	1	2	3	1	1	4	1	2	2	3	3
1	1	1	4	4	1	2	4	5	1	2	1	1	1	1	1	1	2						

STUDENT NO. 94

2	3	5	1	2	2	4	2	3	1	1	4	1	1	2	1	1	3	5	5	1	1	1	1
1	4	5	1	1	1	4	2	1	1	5	2	5	1	2	3	1	4	4	1	5	2	1	1
5	3	3	5	2	5	3	4	1	1	3	3	2	3	1	1	2	2	5	1	2	1	3	5
1	3	1	2	1	1	1	1	1	1	1	1	1	1	1	1	1							

RESPONSES - TECHNICIAN STUDENTS UNDER 18 YEARS OF AGE

STUDENT NO. 1

2	5	1	3	1	1	5	2	1	5	2	1	3	1	1	1	1	1	5	1	1	1	2	3
2	1	2	1	1	1	1	3	2	2	1	1	1	1	1	3	3	3	2	3	1	1	5	3
1	2	1	3	1	2	1	3	1	1	1	1	1	1	1	1	1	1	2	1	5	1	1	1
1	3	2	2	2	2	3	2	3	2	2	1	5	1	3	1	1							

STUDENT NO. 2

5	5	1	4	1	1	5	3	1	5	5	1	2	5	2	1	2	1	5	2	1	1	5	1
1	2	5	1	1	1	1	1	1	4	4	5	1	1	2	1	2	2	4	5	4	2	5	1
2	3	2	1	1	5	2	3	1	1	1	4	1	2	5	1	1	1	2	1	5	1	1	1
1	2	2	1	5	4	1	5	4	1	1	1	2	1	1	1	1							

STUDENT NO. 3

5	4	3	3	1	1	5	4	4	3	3	1	5	5	1	1	3	1	5	2	2	1	3	1
1	3	4	3	2	1	4	5	2	4	2	2	3	2	1	2	3	3	4	3	3	1	4	3
1	2	3	3	4	4	3	3	1	1	3	4	3	3	2	3	1	4	3	1	4	2	3	3
1	4	3	4	1	2	3	1	1	2	1	1	2	1	4	1	3							

STUDENT NO. 4

3	4	4	5	2	1	3	3	3	5	4	2	5	5	2	2	2	1	5	1	2	4	2	1
1	1	4	1	2	3	4	4	2	3	2	2	2	1	2	2	3	2	2	2	1	1	5	1
2	2	2	2	2	3	1	1	2	2	1	3	1	2	2	3	1	2	1	1	2	1	1	1
1	2	3	2	3	5	1	3	5	4	1	1	1	1	1	1	1							

STUDENT NO. 5

4	4	4	4	2	2	4	3	3	3	4	2	4	2	3	3	4	2	4	2	2	3	3	2
3	2	4	2	3	2	4	4	2	3	2	2	2	2	2	2	3	2	2	2	4	4	4	3
2	3	2	2	2	2	2	2	2	3	2	2	4	3	2	2	2	1	3	3	1	4	1	2
1	4	2	2	2	2	2	2	2	4	4	2	3	2	2	2	2							

STUDENT NO. 6

3	4	4	2	1	2	5	3	2	4	2	5	2	2	2	4	3	1	5	1	4	4	3	3
1	2	4	1	1	2	5	4	2	3	4	2	5	2	3	2	3	2	3	1	2	3	4	3
2	2	1	2	3	3	3	3	2	2	1	1	3	2	4	2	2	3	2	1	4	1	3	2
1	5	4	4	2	3	4	2	1	4	2	1	2	3	2	1	2							

STUDENT NO. 7

5	5	3	4	2	1	4	3	2	4	3	3	5	5	2	2	5	2	5	2	4	4	2	2
3	2	4	1	2	2	3	4	2	3	3	2	3	2	2	2	3	2	2	2	2	3	4	3
2	3	2	2	3	2	3	3	3	2	2	2	3	3	3	4	1	3	2	1	4	1	2	1
1	3	2	3	3	2	3	2	2	1	2	1	2	1	2	2	1							

STUDENT NO. 8

2	5	2	2	1	2	5	2	2	5	1	2	5	3	2	4	1	1	5	1	2	3	3	3
1	2	4	2	3	2	3	3	2	2	3	2	4	2	2	2	2	2	3	2	2	2	2	2
2	2	2	2	2	2	2	2	2	2	3	2	2	3	2	2	1	2	2	1	5	1	2	2
1	5	2	3	1	1	4	2	1	2	1	2	2	2	2	2	2							

STUDENT NO. 9

4	4	2	4	2	1	4	4	3	4	3	4	4	3	4	3	2	3	5	3	3	2	3	2
3	3	4	2	2	2	4	4	2	4	3	2	3	1	2	3	3	3	4	3	2	3	4	2
3	3	2	2	4	3	2	3	3	3	3	3	3	3	3	3	1	3	3	1	3	2	3	3
2	4	3	3	3	2	4	4	2	5	3	2	2	2	1	1	2							

STUDENT NO. 10

2	5	1	2	1	1	5	1	1	5	3	1	5	2	1	1	1	1	5	1	2	2	5	2
2	2	2	2	2	1	3	1	2	3	3	2	3	2	2	3	3	3	3	3	2	1	3	3
3	2	4	3	3	3	4	3	2	3	2	3	2	3	3	4	1	4	4	1	5	1	4	2
1	5	3	3	2	2	1	2	5	1	3	1	1	1	2	2	3							

STUDENT NO. 11

5	3	4	3	1	2	5	4	3	4	2	2	2	1	2	2	1	1	5	1	4	3	3	2
3	1	4	1	3	1	4	1	2	3	3	2	1	1	1	3	2	4	4	5	5	2	2	3
2	2	2	3	3	3	4	3	4	4	2	3	2	5	4	4	2	3	2	3	4	4	2	3
4	5	3	4	2	3	5	1	1	5	1	1	1	2	2	2	2							

STUDENT NO. 12

3	4	4	5	2	2	3	4	3	1	1	4	2	1	4	3	5	1	5	2	3	3	5	2
2	1	2	1	2	1	5	5	3	3	3	1	1	2	2	3	2	2	5	4	1	5	1	3
1	3	2	3	1	5	3	1	1	3	1	4	3	3	4	3	2	4	4	1	4	1	1	1
1	3	3	2	4	5	2	2	1	3	1	1	1	1	1	1	2							

STUDENT NO. 13

1	5	3	1	1	1	5	2	2	5	3	2	3	2	2	1	1	1	5	1	3	1	3	1
1	2	4	1	1	1	4	2	3	2	2	2	3	2	2	2	2	2	2	2	4	3	3	3
2	2	2	2	1	4	2	3	2	2	1	2	2	3	2	2	1	2	2	1	4	1	2	2
1	3	2	2	1	1	2	1	1	1	1	1	1	1	1	1	3							

STUDENT NO. 14

4	4	3	3	2	2	3	3	3	5	4	3	2	3	2	2	3	2	3	2	2	3	2	1
1	2	3	1	1	3	4	3	3	3	3	2	2	2	2	3	2	2	3	2	2	1	4	2
2	2	3	3	2	3	3	2	1	2	2	2	2	2	2	3	2	1	2	1	4	1	1	1
1	2	2	5	2	1	4	2	1	1	2	1	1	1	1	1	1							

STUDENT NO. 15

3	4	4	2	2	2	4	4	4	5	4	2	5	2	3	4	2	3	3	2	2	2	4	1
2	2	3	2	1	2	4	4	3	3	2	2	2	2	2	3	2	2	3	3	3	2	2	2
2	3	2	2	3	3	2	2	2	2	2	3	2	2	2	3	2	2	2	2	2	1	2	2
1	3	3	2	2	3	2	2	4	3	1	2	2	1	2	1	4							

STUDENT NO. 16

5	5	3	3	1	1	5	1	1	5	3	1	3	3	3	2	1	3	5	3	3	3	3	3
3	2	3	2	2	2	3	1	2	1	2	4	1	2	2	3	3	3	3	3	4	3	3	2
1	3	3	3	5	2	2	3	2	3	1	3	3	3	2	3	3	3	4	1	3	2	2	3
2	3	3	2	3	3	2	3	3	3	1	1	2	2	1	1	2							

STUDENT NO. 17

3	4	2	2	1	1	5	3	2	5	3	1	4	1	2	2	3	2	4	3	3	1	3	4
4	3	2	1	2	3	5	1	1	3	2	3	3	1	2	1	1	3	1	1	2	1	1	2
2	2	2	2	2	3	3	3	3	3	3	3	2	2	3	3	2	3	4	2	3	2	3	4
2	3	4	3	2	3	3	2	3	3	2	1	2	2	1	1	2							

STUDENT NO. 18

3	5	1	2	1	1	5	2	1	4	2	1	5	5	1	3	1	1	5	2	3	3	3	2
1	2	3	1	1	1	4	3	2	2	3	2	2	2	2	3	3	3	2	2	4	1	3	2
2	1	2	2	4	3	3	3	2	1	1	1	1	2	1	3	1	1	3	1	1	2	3	3
1	2	2	2	2	2	1	3	2	5	1	1	1	1	1	1	1	2						

STUDENT NO. 19

1	5	3	3	1	1	5	3	1	5	5	1	5	1	1	1	3	1	5	1	1	5	3	2
3	3	2	1	1	1	5	1	3	1	1	1	1	1	1	1	1	1	5	3	1	1	5	1
1	1	1	1	1	1	5	1	1	1	1	1	1	1	1	1	1	1	5	1	1	1	1	1
1	1	1	1	1	2	1	1	1	3	1	1	1	1	1	1	1							

STUDENT NO. 20

3	4	4	3	2	2	4	3	3	3	3	2	4	2	2	2	2	2	5	3	2	3	3	2
1	1	4	1	1	1	5	4	1	4	3	1	3	1	2	2	2	2	4	3	2	2	2	2
2	3	3	2	3	2	3	2	2	4	3	3	2	2	3	3	1	2	5	1	2	1	2	3
1	2	4	3	3	4	1	3	4	4	3	2	2	2	2	2	3							

STUDENT NO. 21

4 5 1 5 1 1 5 2 2 5 5 2 5 5 1 1 3 1 5 2 2 5 2 3
1 1 4 1 1 1 3 2 2 3 4 2 2 1 3 3 2 2 5 5 1 1 5 2
1 4 2 1 5 2 2 4 1 4 1 3 3 2 2 3 2 2 3 1 3 1 1 1
1 2 3 3 2 1 2 2 1 2 1 1 1 3 1 1 1

STUDENT NO. 22

3 4 3 2 2 3 3 3 3 2 1 3 1 1 3 1 5 1 2 2 4 1 1 5
2 5 3 2 2 2 1 1 5 3 2 2 1 2 2 2 3 2 3 2 3 3 2 3
3 2 3 2 2 3 3 3 3 1 3 3 2 2 3 2 3 3 1 2 3 3 3 3
1 2 2 3 2 1 4 2 1 1 1 2 2 1 2 3 3

STUDENT NO. 23

5 1 5 1 3 5 3 3 5 5 1 1 3 1 3 1 5 1 1 1 1 1 1 1
1 5 3 1 1 1 1 3 1 3 3 2 2 3 2 1 2 2 4 2 1 2 2 1
2 2 3 1 3 5 2 3 2 2 2 1 1 1 1 2 3 2 2 1 1 1 1 1
1 2 3 2 2 2 1 1 1 1 1 1 1 1 1 3 1

STUDENT NO. 24

5 5 2 3 1 1 5 2 2 4 2 2 5 5 2 2 2 2 5 2 2 2 3 2
2 2 2 2 2 1 2 4 2 3 3 2 1 2 3 3 2 3 2 4 4 4 4 2
2 4 3 3 5 2 3 3 2 2 2 3 2 3 3 3 3 2 2 2 2 2 2 2
1 4 3 2 2 3 1 2 3 2 1 1 1 1 1 1 2

STUDENT NO. 25

5 5 1 3 1 1 5 2 1 4 3 3 3 3 1 2 1 2 5 3 3 3 3 1
1 1 2 1 2 1 3 2 1 1 2 1 3 2 2 3 2 3 3 3 3 2 3 2
2 2 2 2 3 2 2 3 2 5 2 4 3 3 2 2 2 1 2 1 3 1 1 1
1 1 2 2 5 5 1 5 5 2 2 1 1 1 1 1 3

STUDENT NO. 26

5 5 1 3 1 1 5 1 1 5 1 1 5 1 1 1 1 1 5 3 1 1 1 1
5 2 2 1 1 2 3 3 2 3 3 2 1 1 2 3 1 2 3 2 2 2 3 1
2 2 3 5 1 3 1 3 2 3 1 5 1 3 1 5 3 3 1 1 5 2 3 1
1 5 3 3 1 1 1 5 5 1 1 1 1 1 1 1 1

STUDENT NO. 27

3 5 2 5 1 1 5 3 3 5 3 2 5 5 2 2 1 1 5 2 3 5 3 1
1 3 5 1 1 1 4 4 3 4 2 2 4 3 3 1 2 3 2 2 4 2 5 1
1 3 3 1 5 3 3 4 1 1 1 1 1 2 1 1 1 3 2 2 2 1 3 2
3 2 3 4 2 2 2 1 1 1 1 1 1 1 1 1 3

STUDENT NO. 28

3 2 1 3 1 1 5 2 2 5 2 1 5 2 2 1 2 1 5 2 2 3 3 3
2 2 2 1 2 1 1 4 2 3 3 2 2 2 2 2 3 2 2 3 3 3 3 2
3 2 3 2 4 4 3 3 1 2 2 2 2 2 2 2 1 2 2 2 3 2 3 2
2 4 3 2 2 2 2 1 2 1 2 1 1 1 1 1 2

STUDENT NO. 29

4 4 4 4 2 2 4 2 3 3 4 4 3 2 3 2 1 3 5 2 2 2 3 2
1 2 3 1 1 1 4 3 3 3 4 2 3 2 2 2 3 3 4 2 2 2 4 3
2 3 4 3 4 4 3 3 2 2 2 1 2 2 2 3 3 2 1 1 2 1 2 2
1 3 3 3 1 1 3 1 2 2 2 1 3 1 2 1 4

STUDENT NO. 30

4 4 2 3 2 1 5 2 2 5 4 2 2 2 2 3 2 2 4 2 2 4 2 3
2 2 3 1 2 1 4 3 2 2 4 2 3 1 1 3 2 2 2 2 2 2 5 3
2 2 2 2 3 5 1 2 2 2 2 4 3 2 2 2 1 1 2 2 2 1 1 1
1 1 2 1 4 4 1 2 4 1 1 1 1 1 1 1 2

STUDENT NO. 31

5	2	2	2	1	5	2	2	1	1	2	1	3	3	2	2	2	2	3	3	2	2	3	2
2	3	3	3	2	2	5	1	3	3	3	2	5	2	2	3	2	3	1	3	3	3	1	3
3	2	3	3	5	5	3	3	2	3	2	3	3	3	3	2	2	2	2	1	2	2	2	2
2	4	3	2	5	5	1	3	4	5	2	1	1	1	2	2	2							

STUDENT NO. 32

3	5	2	4	2	2	5	3	2	5	2	3	4	3	2	3	3	2	5	3	3	2	2	2
2	4	3	2	2	2	4	3	2	4	2	2	2	2	3	3	2	2	4	2	4	2	2	2
4	3	4	3	5	5	2	3	2	2	2	3	2	2	2	3	2	3	2	3	4	1	3	3
2	5	2	2	3	3	3	3	2	2	2	1	2	2	2	2	2							

STUDENT NO. 33

3	5	1	3	1	1	5	1	1	5	4	1	3	2	1	2	3	1	5	1	1	1	1	5
1	1	1	1	5	1	5	5	1	1	5	1	4	1	1	1	1	1	2	4	5	1	5	2
2	1	1	2	3	4	2	3	3	3	3	3	3	3	3	3	3	3	3	3	3	3	1	1
1	3	3	1	3	5	2	1	4	1	1	1	1	1	3	2	5							

STUDENT NO. 34

5	5	1	3	1	1	5	1	2	5	2	1	5	5	2	1	1	1	5	1	2	3	2	3
2	2	3	1	2	1	3	1	2	2	4	2	2	2	2	4	3	3	4	5	5	3	4	1
2	3	2	3	5	4	2	3	2	1	2	3	2	2	2	3	3	2	2	1	3	2	2	2
1	3	3	3	1	5	1	5	5	2	1	1	1	1	1	1	2							

STUDENT NO. 35

3	4	4	4	2	2	5	3	2	5	1	4	3	2	3	4	2	3	2	4	4	2	3	2
3	3	3	3	2	3	5	3	3	3	3	3	3	3	3	3	3	4	5	5	4	4	1	4
3	3	4	3	5	3	3	3	3	2	3	2	3	3	3	3	2	3	5	3	4	2	3	5
2	4	3	5	3	3	4	4	4	3	3	2	3	2	2	3	5							

STUDENT NO. 36

2	5	3	4	1	1	5	2	2	5	2	1	3	1	1	5	1	1	5	1	1	3	1	5
1	1	5	1	1	1	5	5	1	1	5	1	3	1	1	5	1	5	5	2	5	1	5	1
1	1	1	1	3	5	1	5	1	1	1	5	2	1	3	1	1	4	5	1	5	1	3	1
1	2	5	2	2	1	1	3	5	3	1	1	1	1	2	1	1	2						

STUDENT NO. 37

1	5	1	1	1	1	5	2	2	5	2	1	3	1	1	1	1	1	5	5	1	3	1	5
1	1	4	1	1	1	3	5	1	1	5	1	3	1	1	5	3	2	5	2	5	1	5	1
1	1	1	1	3	1	5	5	1	1	1	5	2	1	3	1	1	4	3	1	5	1	3	1
1	2	5	2	2	1	1	3	5	3	1	1	1	1	2	1	1	2						

STUDENT NO. 38

1	5	3	3	1	1	5	2	2	5	3	1	1	5	2	1	1	1	5	1	3	1	1	1
2	2	5	1	2	1	1	2	1	3	1	1	2	1	1	3	3	3	3	3	3	1	5	5
3	3	5	3	3	4	1	3	2	1	1	2	3	3	2	3	1	2	5	3	5	1	3	5
1	5	3	3	1	1	5	1	3	1	1	1	1	1	1	1	3							

STUDENT NO. 39

3	5	1	1	1	1	5	1	1	5	4	1	3	4	4	1	1	1	5	1	1	1	3	3
1	2	4	1	1	1	3	3	2	3	4	1	3	1	2	2	1	3	2	3	1	2	3	1
1	1	2	3	5	3	1	2	3	3	1	1	2	3	3	2	1	1	1	1	1	1	1	1
1	1	3	2	2	2	1	1	1	1	1	1	1	1	1	1	3							

STUDENT NO. 40

3	5	3	4	1	1	5	3	3	5	2	2	2	5	1	2	1	1	5	1	2	1	5	1
1	2	5	1	1	1	5	1	1	3	2	3	5	2	2	4	3	2	5	5	1	2	1	5
3	5	2	5	3	5	3	5	1	2	2	1	2	3	3	3	1	2	3	1	5	1	5	5
1	5	1	1	4	5	1	5	5	5	1	1	1	1	1	1	1							

STUDENT NO. 41

2	5	4	3	1	1	5	3	2	3	4	5	4	5	2	2	1	2	5	3	4	1	2	3
1	2	3	1	3	1	5	2	2	2	2	2	2	2	3	3	3	1	4	3	4	2	4	5
3	3	2	3	3	4	2	3	2	2	2	2	1	3	2	3	2	3	4	1	5	1	2	2
1	5	5	2	2	4	3	2	5	2	2	1	1	1	1	2	3							

STUDENT NO. 42

2	4	4	3	1	1	5	1	2	5	3	3	2	1	1	1	1	1	5	3	1	1	1	1
1	1	3	1	1	1	5	2	3	2	2	1	1	1	1	3	1	1	3	3	1	1	2	1
1	3	2	5	3	2	1	3	1	1	1	5	1	2	1	1	1	2	2	1	2	1	2	2
1	3	2	2	4	5	1	4	5	3	2	1	1	1	1	1	1							

STUDENT NO. 43

1	5	3	3	1	1	5	2	2	5	3	1	1	5	2	1	1	1	5	3	3	1	1	1
2	2	5	1	1	1	1	3	2	3	4	1	1	1	1	3	5	3	2	2	5	2	5	1
4	3	4	3	5	4	2	3	2	1	1	1	1	1	1	3	1	1	4	4	3	1	4	4
1	5	3	3	1	1	5	1	3	2	1	1	1	1	1	1	3							

STUDENT NO. 44

3	5	2	4	1	2	5	2	3	5	2	2	3	5	1	3	1	1	5	2	2	1	4	1
1	2	5	1	1	2	5	1	2	3	2	3	5	2	2	3	3	2	4	4	1	2	2	5
3	5	2	5	3	5	2	5	1	2	2	1	2	3	4	3	1	3	3	1	4	1	5	5
1	5	2	1	2	5	4	5	5	1	1	1	1	1	3	1	1							

STUDENT NO. 45

2	5	2	1	1	2	5	1	2	4	1	1	3	1	2	1	4	1	4	3	5	4	3	2
1	2	5	3	3	1	5	1	3	3	2	2	2	2	3	2	1	2	3	4	5	3	5	3
3	1	1	2	4	2	1	3	2	2	2	1	2	2	3	2	1	2	1	3	5	1	2	5
1	4	5	1	5	1	4	4	1	3	3	1	1	1	1	1	1							

STUDENT NO. 46

1	5	1	1	1	1	5	1	1	4	4	2	5	4	1	1	1	1	5	2	2	1	1	1
1	1	5	1	1	1	5	5	1	3	1	1	5	1	1	3	2	1	1	1	1	1	5	1
2	1	1	1	3	1	1	1	1	2	1	5	1	1	5	2	1	2	2	1	1	1	4	4
1	3	5	4	1	1	4	1	1	1	1	1	2	1	1	3	1							

STUDENT NO. 47

4	5	1	3	1	2	5	3	2	4	5	2	3	2	1	2	2	2	5	2	3	2	2	3
1	2	3	4	3	3	5	4	2	3	3	2	4	2	2	2	3	2	4	3	3	2	3	3
2	3	2	2	4	3	2	3	3	2	3	2	2	3	3	2	1	2	2	2	2	1	3	3
2	3	3	3	4	5	2	3	5	5	1	1	2	2	2	1	2							

STUDENT NO. 48

5	3	2	4	1	1	5	2	2	2	1	2	4	2	1	2	1	2	5	1	2	2	2	1
1	1	5	1	4	1	4	3	2	2	2	1	2	1	2	3	2	2	4	3	2	1	5	3
2	1	2	1	4	2	1	3	1	1	3	4	2	2	1	2	1	2	4	1	1	1	1	2
1	1	1	4	2	1	2	2	1	2	1	2	2	1	1	1	3							

STUDENT NO. 49

2	5	1	1	1	1	5	1	1	5	5	2	5	3	1	1	1	1	5	1	2	3	1	1
1	1	1	1	1	1	5	1	1	3	2	2	3	5	2	5	3	2	3	4	2	1	5	3
2	1	2	1	4	2	1	3	2	1	1	1	1	1	1	1	1	2	2	1	2	1	4	3
1	4	1	2	2	3	1	2	4	3	1	1	1	1	1	1	1							

STUDENT NO. 50

2	5	1	3	2	2	5	3	2	3	1	2	3	5	3	2	2	1	5	1	1	3	2	1
1	2	1	1	1	2	1	3	3	3	3	1	1	2	1	2	3	3	3	2	2	3	4	3
2	2	1	2	2	2	2	3	2	1	2	1	2	3	2	2	1	2	1	1	2	1	1	1
1	1	2	2	1	1	1	4	5	1	2	1	1	1	1	1	3							

STUDENT NO. 51

3 5 4 3 1 1 4 4 3 1 2 1 4 2 3 4 1 1 3 4 3 1 2 1
1 2 3 1 1 1 1 2 3 1 4 1 1 1 1 1 2 1 3 3 5 1 5 1
2 3 3 2 4 3 1 4 1 1 1 3 3 2 2 3 1 5 5 1 2 1 5 5
1 2 4 3 5 1 1 4 1 4 1 1 1 1 1 1 3

STUDENT NO. 52

3 5 2 3 1 2 5 1 2 5 3 2 5 3 3 1 3 2 5 1 3 3 3 2
2 3 3 1 1 1 5 3 3 3 4 2 2 2 3 2 1 2 3 3 3 1 5 1
2 3 2 1 5 2 3 3 2 2 2 3 1 1 3 3 2 5 5 1 4 2 4 4
1 4 3 3 2 4 1 3 5 1 1 1 1 1 1 1 1

STUDENT NO. 53

2 4 3 5 2 2 4 5 3 5 4 2 1 3 2 2 3 2 5 4 3 2 3 4
2 2 4 1 1 2 4 3 2 4 2 2 4 1 2 5 3 3 5 4 3 4 2 3
3 3 4 2 5 4 2 2 2 2 3 5 2 3 3 1 3 4 3 2 3 3 4 2
1 5 3 3 3 3 1 2 2 3 1 1 1 1 2 2 3

STUDENT NO. 54

5 4 4 5 1 2 5 2 2 4 3 3 4 3 2 2 2 2 4 3 3 2 2 1
1 3 2 1 1 1 4 3 3 3 3 2 2 3 3 3 2 2 3 2 2 2 4 2
2 2 2 3 3 3 2 3 2 3 1 1 1 1 1 2 2 2 2 2 2 1 2 2
1 2 2 4 2 1 1 1 1 2 1 1 1 1 1 1 1

STUDENT NO. 55

3 5 5 5 1 2 4 4 4 4 4 2 4 3 1 3 2 1 5 4 1 3 3 1
1 2 3 1 4 1 5 5 3 3 2 2 4 2 2 5 2 2 3 3 4 2 2 3
2 2 2 2 3 3 2 0 2 1 2 2 2 2 2 2 1 3 5 2 5 1 3 4
1 5 3 4 4 4 2 2 3 3 3 1 1 1 1 1 3

STUDENT NO. 56

4 4 4 3 2 1 5 2 3 4 4 4 5 4 1 1 1 2 5 3 2 3 3 3
1 2 4 3 3 2 5 4 1 2 3 3 1 1 2 5 3 3 2 3 3 3 3 3
1 2 5 2 4 5 5 3 3 3 1 1 3 1 3 3 1 4 5 1 5 1 5 5
1 5 1 1 3 4 1 4 5 3 3 1 3 1 2 1 2

STUDENT NO. 57

4 5 1 4 1 1 5 1 1 5 4 4 3 2 2 1 1 3 5 2 4 1 3 2
1 2 3 1 1 1 4 4 1 2 2 4 3 2 2 3 2 3 3 4 4 3 4 3
2 3 4 2 4 2 2 4 4 1 1 1 1 3 1 1 1 3 3 1 2 1 3 2
1 3 3 2 1 1 2 1 1 5 2 1 1 1 1 1 1

STUDENT NO. 58

4 5 5 3 2 1 5 2 2 5 4 5 4 2 2 2 1 1 5 1 5 1 1 1
1 1 3 1 1 1 5 3 3 4 5 2 5 1 3 5 5 5 2 5 5 5 5 3
2 4 4 1 5 5 5 5 1 1 1 1 1 1 1 1 2 4 5 1 4 1 4 5
2 5 3 4 4 4 2 1 1 1 1 1 1 1 1 1 1

STUDENT NO. 59

1 5 3 1 1 1 5 2 1 5 1 1 5 3 1 1 1 1 5 1 3 1 1 1
1 1 3 1 1 1 3 3 2 3 1 1 5 1 1 2 3 2 3 1 1 1 1 3
1 2 1 2 3 3 1 3 1 3 3 1 3 3 1 3 1 1 3 1 2 1 2 3
1 3 3 1 1 3 3 3 3 3 2 1 3 1 3 1 3

STUDENT NO. 60

1 5 5 1 1 1 5 2 1 5 1 1 5 5 2 1 1 1 5 1 1 1 1 1
1 2 3 1 1 1 4 2 1 3 1 1 5 2 1 3 1 2 4 3 1 2 5 1
3 1 5 2 5 3 1 3 1 3 1 1 1 3 1 1 1 2 2 1 3 1 1 1
1 5 3 1 2 5 1 3 5 5 1 1 1 1 1 1 1

STUDENT NO. 61

2 4 5 5 2 2 4 4 5 2 1 3 2 1 4 2 1 1 5 5 3 4 5 1
1 5 3 1 1 1 5 4 4 3 3 1 3 2 3 5 4 5 2 3 5 5 1 4
5 4 3 2 5 4 1 5 3 1 1 1 1 3 1 3 1 5 5 2 5 1 2 2
1 5 3 1 1 1 3 4 4 1 2 1 1 1 1 1 3

STUDENT NO. 62

2 4 2 2 1 2 5 1 2 2 1 1 4 3 2 1 2 2 5 4 1 1 1 1
1 2 5 1 1 1 5 3 3 3 2 2 3 2 3 3 3 3 5 3 2 3 3 3
3 3 3 3 4 3 3 4 3 3 3 3 3 3 3 3 3 3 3 5 2 2 2
2 5 3 3 3 3 1 2 3 5 1 1 2 2 2 2 4

STUDENT NO. 63

3 3 3 3 3 3 5 2 4 5 5 2 1 3 3 3 3 3 3 1 5 1 1
1 5 5 3 3 3 3 3 3 3 5 5 1 5 1 5 1 3 3 3 3 3 3 3
3 1 1 1 5 1 1 3 3 3 3 3 3 3 3 1 5 3 1 1 3 3 3
3 3 3 3 1 1 5 1 1 1 3 3 3 3 3 3 1

STUDENT NO. 64

5 3 4 3 2 2 4 3 3 4 3 2 4 3 2 1 2 2 5 1 3 3 4 1
1 4 4 1 1 1 5 1 4 4 2 3 4 3 3 3 3 3 4 3 3 2 2 2
4 4 3 4 5 3 2 4 3 3 4 4 2 3 3 2 2 3 2 2 4 1 2 1
1 4 3 1 2 3 2 3 4 2 1 1 2 1 1 1 4

STUDENT NO. 65

5 5 2 3 1 2 5 2 2 5 4 4 5 5 1 1 2 3 5 1 2 3 3 1
1 4 5 1 1 1 5 3 4 3 4 2 4 2 3 3 3 2 4 5 1 2 1 3
2 2 4 5 2 3 4 2 2 1 2 2 4 2 1 2 1 3 2 1 5 1 3 4
2 4 3 3 2 2 3 2 2 1 3 2 2 1 1 1 4

STUDENT NO. 66

3 5 1 2 1 1 5 1 1 5 5 1 5 2 1 1 1 1 5 1 2 1 1 1
1 3 3 1 1 1 3 1 1 3 4 1 1 1 5 3 1 1 1 1 2 1 3 3
1 3 3 3 3 1 2 4 1 1 1 1 1 3 1 2 1 1 2 1 3 1 1 2
1 2 2 3 1 1 2 3 1 1 1 1 1 1 1 1 1

STUDENT NO. 67

3 5 2 2 1 1 5 2 1 5 4 2 4 4 2 2 3 2 5 4 2 3 3 2
3 2 4 1 2 2 5 3 2 5 2 1 3 1 2 3 3 2 3 4 2 3 4 3
1 2 2 4 3 3 1 3 2 2 2 4 2 3 3 3 1 2 2 2 2 1 3 2
2 2 2 2 3 3 2 3 4 1 2 1 2 1 2 3 3

STUDENT NO. 68

3 5 2 3 1 1 5 1 1 5 4 3 5 2 1 1 1 1 5 1 1 1 1 1
1 3 2 1 1 1 1 1 5 5 1 5 1 1 3 5 5 5 3 1 1 1 5 1
1 1 1 1 5 1 1 4 1 1 1 1 1 1 1 1 1 1 1 5 1 1 1
1 1 1 3 1 1 1 3 1 5 1 1 1 1 1 1 1

STUDENT NO. 69

3 4 3 4 2 2 3 2 3 4 1 1 4 1 4 2 2 4 5 1 3 5 3 1
1 5 3 1 1 1 4 4 3 1 4 3 5 3 2 3 3 1 5 3 2 3 2 1
4 2 3 2 5 3 3 3 2 1 1 4 1 1 4 2 2 3 3 1 4 1 2 2
1 3 3 3 2 2 2 2 2 3 1 2 2 1 1 1 2

STUDENT NO. 70

3 5 2 3 1 1 4 2 2 5 5 2 5 5 2 1 1 2 5 1 2 2 2 2
1 2 2 1 1 1 4 3 3 3 2 4 2 4 3 2 2 2 4 2 5 1 4 2
2 4 4 4 4 4 2 4 4 3 2 4 2 3 2 2 2 3 3 2 4 2 3 2
1 3 2 1 2 2 1 2 2 2 2 1 1 1 1 1 1

STUDENT NO. 71

3 3 3 3 5 5 1 5 5 5 1 5 3 1 5 5 5 3 1 2 1 1 1 1
2 2 3 2 2 1 5 5 2 3 3 5 1 2 2 2 5 5 1 2 5 2 1 2
4 2 5 3 5 5 2 2 2 2 2 2 2 2 5 2 5 5 5 5 5 5 5 5
5 5 5 5 4 2 2 4 5 3 2 4 2 2 5 3 3

STUDENT NO. 72

3 5 2 2 1 1 5 3 3 5 2 2 1 2 2 2 2 2 4 2 2 2 3 3
1 1 2 3 3 1 2 2 1 2 2 2 2 2 2 2 3 3 3 2 3 4 1
2 2 2 3 3 2 1 3 2 1 2 1 1 1 5 3 3 2 1 1 2 2 2
1 4 3 2 2 2 3 2 2 1 3 1 2 1 1 1 2

STUDENT NO. 73

2 5 4 4 1 1 4 2 2 4 2 3 4 4 2 2 2 2 4 4 2 3 3 3
3 2 4 2 2 2 4 4 2 3 2 2 2 2 2 3 2 3 4 3 2 2 2 2
2 3 3 2 5 2 2 2 2 2 2 3 2 2 2 2 3 5 5 1 1 3 4 4
2 3 3 2 3 3 2 3 4 3 4 2 2 2 2 2 4

STUDENT NO. 74

3 4 2 2 2 2 4 2 2 4 2 2 3 2 3 1 1 1 5 1 1 1 2 1
1 2 3 1 1 3 5 4 2 4 3 2 2 1 1 4 2 2 2 3 2 1 3 2
2 3 4 2 2 2 1 3 2 1 2 1 3 3 2 3 1 2 5 1 1 1 1 1
1 1 3 3 3 3 2 2 2 2 2 1 2 1 2 1 2

STUDENT NO. 75

3 4 3 4 2 2 4 3 3 5 3 2 2 1 2 3 2 3 5 3 2 1 3 1
1 2 2 1 1 1 3 3 2 3 2 3 1 1 2 3 3 2 2 2 2 2 3 3
2 3 3 2 2 2 2 3 2 1 1 3 2 2 3 3 2 2 2 2 1 2 2 3
2 2 3 2 2 2 1 2 2 2 2 1 1 1 1 2 2

STUDENT NO. 76

2 5 2 2 1 2 4 2 2 5 5 1 1 1 1 1 1 1 5 1 3 4 1 1
1 2 2 1 1 1 5 4 2 4 3 3 3 2 2 2 4 3 4 3 2 3 1 2
4 4 4 4 5 3 1 3 2 2 1 1 1 2 2 2 2 2 5 4 1 1 2 2
2 2 1 2 3 4 1 2 2 3 2 1 1 1 1 1 1

STUDENT NO. 77

5 5 2 3 1 1 5 2 1 5 1 1 4 5 1 3 1 3 5 1 2 5 3 3
2 2 2 1 2 2 5 5 3 3 3 2 2 2 3 3 3 2 3 3 2 2 4 2
2 5 2 3 2 3 2 2 2 2 2 4 2 3 2 3 2 2 2 2 3 3 2 2
1 4 2 3 2 4 2 4 5 3 3 4 2 1 2 1 2

STUDENT NO. 78

5 5 1 1 1 1 5 1 1 5 3 1 4 3 1 1 2 1 5 3 1 3 3 1
1 1 3 1 1 1 5 3 2 1 5 3 3 1 1 3 4 5 3 3 5 1 1 1
4 3 4 1 5 1 1 3 1 1 1 1 1 3 1 1 1 4 4 1 2 1 5 5
1 2 3 5 5 1 1 5 1 5 1 1 1 1 1 1 1

STUDENT NO. 79

5 4 1 1 5 5 3 1 3 5 1 1 5 1 4 1 4 4 5 2 3 3 3 1
1 5 3 1 1 3 5 5 1 4 4 2 5 2 2 3 3 3 5 3 4 3 1 5
4 5 4 5 5 1 2 1 2 5 3 3 5 1 1 5 2 5 5 1 1 1 1 5
1 4 3 3 4 2 1 2 1 1 1 1 5 1 1 1 4

STUDENT NO. 80

3 4 4 4 4 5 3 4 4 2 4 5 5 1 2 1 1 1 5 1 1 3 3 2
1 3 2 1 1 2 1 3 1 2 2 2 2 2 3 2 3 3 2 5 3 3 5 3
3 2 2 3 1 4 2 3 2 2 2 2 2 1 2 2 1 4 3 1 1 1 3 2
1 1 1 3 1 4 3 3 3 1 3 1 3 2 2 3 2

STUDENT NO. 81

5 4 2 3 1 1 1 2 1 5 3 2 4 2 2 3 2 1 5 1 2 3 3 1
1 2 2 2 2 2 4 2 3 3 4 2 3 2 2 4 3 2 3 4 2 3 4 2
2 3 2 3 2 2 2 2 2 2 2 2 3 2 3 2 2 1 1 2 1 2 1 1 3
1 2 2 2 2 1 2 2 1 1 1 1 1 1 2 1 1

STUDENT NO. 82

5 5 1 1 1 1 5 1 1 3 5 3 5 2 1 1 1 1 5 2 3 3 3 1
1 3 5 1 2 1 4 4 3 2 1 1 5 1 1 3 3 1 1 5 2 3 4 2
1 2 2 1 5 3 2 2 2 2 2 3 2 2 2 1 2 3 4 2 1 1 1 1
1 3 2 4 4 1 3 1 2 1 1 1 1 1 1 1 1

STUDENT NO. 83

3 5 1 2 1 1 5 1 1 5 2 3 5 5 5 1 2 3 5 5 1 2 2 3
1 1 2 1 1 1 5 1 1 1 3 1 2 1 1 3 5 5 3 1 5 1 1 1
1 3 1 1 5 1 1 5 1 3 4 3 1 2 1 4 1 5 5 5 1 1 1 5
1 5 2 1 3 1 2 1 5 3 1 1 1 1 1 1 1

STUDENT NO. 84

5 4 5 2 3 2 3 3 3 2 1 2 1 1 1 1 1 3 5 4 4 1 1 2
3 1 3 1 2 1 3 4 1 3 4 4 4 1 1 3 3 3 3 3 3 1 2 5
2 3 4 2 2 2 4 4 2 3 3 3 2 3 2 2 2 2 3 2 1 1 1 1
1 1 3 1 5 5 1 5 5 3 1 1 1 1 1 2 1

STUDENT NO. 85

3 2 4 4 4 3 2 3 4 3 1 4 3 1 4 3 5 1 3 2 3 1 3 2
3 4 5 3 3 3 5 5 2 4 4 4 5 4 3 3 3 4 2 3 2 5 4 1
2 3 3 3 4 2 3 4 2 3 3 2 2 3 4 3 5 4 3 4 1 2 3 3
1 2 3 2 4 3 2 1 3 2 2 1 1 1 1 1 2

STUDENT NO. 86

4 4 5 3 2 3 4 1 2 2 1 4 3 1 3 2 5 1 5 3 5 1 3 1
1 4 5 3 2 1 5 5 4 3 3 3 5 2 3 2 3 3 3 4 4 4 1 5
5 2 3 1 5 3 3 3 2 3 3 1 5 3 2 3 2 5 4 2 4 1 3 3
1 5 3 4 5 2 1 4 5 3 3 2 1 1 1 1 5

STUDENT NO. 87

3 3 3 3 3 3 4 3 2 3 1 2 3 4 2 1 2 2 5 3 4 2 3 2
2 2 3 1 1 1 3 2 2 2 2 2 1 2 1 3 2 2 3 4 5 2 2 3
3 2 2 3 5 3 3 3 3 2 3 1 2 2 3 2 2 1 3 1 2 2 2 2
1 2 2 2 2 2 2 2 1 1 2 1 2 1 1 1 3

STUDENT NO. 88

2 4 2 3 1 1 4 1 2 5 3 1 4 1 2 1 1 3 5 2 2 2 3 3
1 3 4 3 4 1 5 3 3 5 4 1 3 1 1 3 3 3 4 3 4 2 5 3
2 4 2 2 1 3 2 4 1 3 2 1 1 2 2 3 2 1 3 2 2 1 1 1
1 2 3 3 3 3 2 2 2 2 2 1 1 1 1 1 3

STUDENT NO. 89

2 5 2 2 2 2 4 2 3 4 3 3 3 2 2 2 2 1 5 2 2 2 3 2
2 2 3 2 2 1 4 2 3 2 3 3 2 2 3 2 2 3 2 3 2 2 2 2
4 4 3 4 3 2 3 3 2 2 2 2 2 2 2 2 1 3 3 2 2 1 3 2
1 3 2 3 1 3 2 2 3 1 1 1 1 1 2 2 1

STUDENT NO. 90

3 2 4 3 2 3 4 3 3 3 2 1 3 1 3 1 3 2 3 3 2 1 1 1
1 3 5 1 3 1 5 4 5 5 1 4 2 5 3 3 3 4 3 3 4 2 5 5
3 3 4 3 5 3 2 3 3 2 2 2 2 3 3 3 5 2 1 3 2 1 2 2
1 2 3 2 3 3 2 3 4 2 2 1 1 1 1 1 2

STUDENT NO. 91

2	4	2	3	1	1	5	4	3	5	2	2	4	2	2	3	2	1	5	2	2	3	3	1
1	2	3	2	1	1	4	4	2	2	3	2	4	2	3	3	3	3	4	3	2	4	2	2
4	4	3	2	5	3	2	3	2	3	2	3	3	2	3	2	5	5	1	2	1	4	4	4
1	1	3	3	3	2	3	3	3	3	3	3	3	3	3	3	3							

STUDENT NO. 92

5	5	3	3	1	1	5	2	2	5	2	2	3	5	1	3	3	3	5	2	1	3	3	1
2	2	2	1	2	1	5	4	2	3	3	2	3	2	2	4	3	2	4	4	2	4	5	1
1	5	2	2	4	3	3	3	2	3	3	3	2	2	3	3	1	3	3	1	2	2	2	2
1	3	3	3	3	3	2	3	2	2	1	1	1	1	1	1	1	1						

STUDENT NO. 93

4	4	5	3	2	2	4	5	5	1	1	4	3	1	4	2	5	2	5	3	5	1	3	1
2	3	4	2	2	3	4	5	5	3	3	3	5	2	3	3	3	3	3	4	5	2	1	5
4	3	5	1	4	4	3	3	2	3	3	1	4	3	2	3	2	5	4	2	4	1	4	5
2	5	3	4	5	2	1	4	5	3	3	1	1	1	2	1	5							

STUDENT NO. 94

2	4	3	3	1	2	4	2	2	4	3	2	3	1	3	3	3	3	4	5	1	4	3	2
2	3	3	2	2	2	4	4	5	1	3	3	3	2	2	3	3	2	3	3	4	2	1	5
1	3	2	2	2	5	5	3	2	2	2	5	3	3	3	3	5	3	2	1	1	2	4	4
1	3	2	3	3	3	1	1	1	1	1	1	1	1	1	2	1	1						

RESPONSES - CRAFT STUDENTS OVER 18 YEARS OF AGE

STUDENT NO. 1

3 4 2 5 3 3 5 3 2 5 1 3 2 5 1 3 2 3 5 1 2 2 1 3
3 3 3 1 2 1 4 3 4 3 3 3 4 2 1 3 3 3 4 4 4 2 4 2
2 4 1 3 2 4 3 3 1 2 3 4 2 3 4 2 1 3 2 3 4 1 1 2
1 4 1 3 2 3 3 3 3 2 1 1 1 1 1 2 3

STUDENT NO. 2

1 5 1 3 1 1 5 1 1 1 4 1 5 5 2 4 1 2 3 5 3 3 3 1
1 3 4 1 1 1 3 5 3 2 3 1 2 5 1 5 3 2 3 5 5 5 5 3
5 1 5 1 5 3 5 5 3 3 1 1 1 1 1 1 5 5 5 1 1 1 5 5
1 1 5 5 5 5 3 3 5 4 1 1 3 1 3 1 1

STUDENT NO. 3

3 2 1 1 1 2 3 3 2 3 5 3 2 1 2 1 1 1 5 1 1 1 1 1
2 5 3 1 1 1 5 5 1 3 3 3 1 5 4 1 3 3 1 1 1 1 1 1
5 1 5 1 5 5 5 1 1 1 1 1 1 1 1 1 1 5 1 3 1 1 2
1 5 1 4 1 1 1 5 1 1 1 1 1 1 1 1 1

STUDENT NO. 4

3 3 4 3 2 2 3 3 3 4 2 2 1 2 2 2 2 3 4 3 1 2 2 3
2 3 4 2 2 1 4 1 3 3 2 4 2 3 3 5 4 3 3 4 1 1 5 3
2 2 3 5 1 5 3 4 1 1 2 3 2 3 2 2 1 2 2 1 3 1 3 3
1 4 2 4 2 3 3 3 3 3 2 1 1 2 1 1 5

STUDENT NO. 5

5 5 1 4 1 1 5 1 1 5 4 1 4 4 1 4 1 1 5 1 3 3 3 1
1 1 3 1 1 1 5 5 1 1 3 3 1 1 1 3 2 1 3 3 1 2 4 1
1 1 1 3 2 4 2 3 3 1 1 1 1 3 1 1 1 3 1 3 1 1 1
1 3 1 1 4 4 2 2 2 1 1 1 1 1 1 1 3

STUDENT NO. 6

3 5 1 3 1 1 5 1 2 5 2 2 4 5 2 4 2 1 5 3 1 2 4 1
1 3 2 1 1 2 4 4 3 3 4 4 2 3 2 2 2 2 4 4 4 3 4 4
2 3 2 2 5 4 2 2 2 2 2 1 1 1 1 3 2 2 2 3 2 1 2 3
5 2 3 1 2 2 2 2 1 1 1 1 1 1 4 2 1

STUDENT NO. 7

3 5 2 2 1 1 5 3 1 5 3 1 3 1 3 3 1 1 5 1 3 3 1 1
3 1 1 1 1 1 5 5 1 1 5 3 3 3 1 1 2 2 1 1 1 3 5 3
1 1 5 1 5 3 3 3 1 1 2 1 3 3 3 3 1 2 1 3 2 1 2 1
3 2 2 5 3 1 3 5 1 3 1 3 3 3 3 3 3

STUDENT NO. 8

2 4 3 4 2 2 4 3 2 3 2 2 4 2 2 2 3 3 4 2 4 2 2 2
2 2 3 2 2 2 4 4 3 3 3 2 4 2 2 3 3 3 2 3 2 2 3 3
2 2 2 3 3 2 2 4 2 3 3 2 4 2 3 3 3 4 4 3 3 2 3 4
1 3 3 4 2 2 4 3 3 3 3 2 3 3 3 2 4

STUDENT NO. 9

5 5 1 3 1 1 5 3 2 3 4 1 1 2 2 1 1 1 5 2 2 4 4 1
3 3 2 1 1 3 1 5 3 3 3 1 2 3 3 3 3 1 4 3 1 3 4 1
2 3 5 3 1 3 2 3 2 1 2 1 2 3 3 2 1 2 5 2 5 1 4 1
1 4 4 4 3 2 1 1 1 4 1 1 1 1 3 1 1

STUDENT NO. 10

3 2 3 3 1 2 1 2 1 5 2 1 2 3 1 3 2 2 5 3 3 1 1 2
1 2 3 1 1 1 4 2 1 3 2 2 3 2 2 4 3 2 2 3 1 1 4 1
2 2 2 2 5 3 3 2 1 1 1 1 1 3 3 2 2 3 5 1 3 1 1 3
1 5 3 2 2 2 2 2 2 1 1 2 2 1 1 2 3

STUDENT NO. 11

2 4 3 5 3 3 3 3 3 5 1 3 5 5 3 3 3 5 5 5 3 1 1 3
3 3 3 1 1 3 3 5 3 3 3 3 3 3 3 3 3 5 2 3 3 3 2
2 3 3 2 5 2 4 3 2 1 3 3 4 4 3 3 3 4 1 3 3 4 4
2 5 5 3 3 3 2 2 1 2 3 1 2 1 1 1 1

STUDENT NO. 12

3 1 5 1 2 3 4 2 2 5 1 2 2 1 3 2 2 2 4 2 5 1 1 3
1 3 4 1 2 2 5 4 2 3 3 4 5 2 3 5 3 3 4 4 4 3 1 3
4 4 4 4 2 4 3 4 4 2 2 2 3 4 2 2 2 3 4 2 3 1 4 5
1 3 3 4 4 2 4 4 1 2 2 2 3 2 3 2 2

STUDENT NO. 13

5 1 5 5 3 3 3 3 3 1 1 3 5 2 3 2 1 1 4 1 4 1 2 3
3 3 5 1 1 1 4 4 3 3 4 4 4 1 4 3 2 3 4 3 5 3 3 3
3 5 5 5 3 3 3 3 3 3 3 2 3 3 3 3 3 1 2 3 2 2 2
2 2 3 2 3 4 1 2 3 4 1 1 2 1 2 1 2

STUDENT NO. 14

5 3 3 5 1 3 5 3 2 5 4 2 1 1 1 1 3 1 5 3 5 1 5 1
1 3 5 1 1 5 5 1 1 3 1 4 3 2 2 4 2 5 2 5 5 2 1 1
3 2 2 5 5 5 1 2 1 1 1 1 3 3 2 1 1 1 5 1 2 1 1 3
1 2 5 2 4 1 2 4 1 3 3 3 3 3 3 3

STUDENT NO. 15

1 5 1 1 1 1 5 3 1 2 2 1 5 1 1 1 5 1 5 1 1 5 1 1
1 3 5 1 1 1 5 3 5 5 5 5 5 5 5 1 3 3 5 3 1 5 1 1
5 1 1 3 3 5 1 5 1 1 1 3 1 1 1 1 1 5 1 2 1 1 1
1 1 1 2 1 1 1 2 1 1 1 1 1 1 1 1 1

STUDENT NO. 16

5 5 2 5 2 1 5 3 2 3 2 1 3 1 3 4 1 5 5 3 2 3 3 1
1 2 5 1 1 1 4 5 3 3 4 3 3 2 3 1 2 5 3 4 5 2 3 3
5 3 4 3 5 5 3 3 2 4 3 3 2 4 2 3 5 2 5 3 3 1 2 5
3 3 2 3 3 3 3 3 3 3 2 1 2 2 2 3 3

STUDENT NO. 17

3 4 3 5 2 2 5 3 4 5 3 5 1 2 3 3 2 3 5 1 3 3 2 3
3 5 5 2 3 3 5 5 3 3 3 3 5 3 2 4 4 3 3 3 3 2 1 2
3 2 4 2 5 4 2 3 2 3 4 2 4 2 2 2 2 5 4 1 5 1 3 1
1 5 2 3 3 3 4 1 5 2 1 1 1 1 1 1 3

STUDENT NO. 18

5 5 2 4 2 1 5 1 1 5 4 2 5 4 1 1 1 1 5 5 3 2 3 1
1 3 4 1 3 1 3 1 4 4 4 3 3 2 3 3 2 4 5 5 5 1 5 3
5 2 3 5 5 5 5 5 5 5 2 1 4 3 3 5 1 2 1 1 1 1 1
1 1 3 1 1 1 1 1 1 2 1 1 1 1 1 1 1

STUDENT NO. 19

5 1 5 5 5 5 1 5 5 1 1 1 3 1 5 5 3 3 3 3 3 3 1
1 4 4 2 1 1 3 4 3 3 3 3 3 2 3 3 3 3 4 3 4 3 3 2
2 3 3 3 3 3 3 3 2 1 1 1 1 1 1 1 2 3 3 1 2 3 3 3
1 3 1 1 1 1 2 2 2 3 1 1 1 1 1 1 1

STUDENT NO. 20

2 4 5 5 1 3 3 3 3 4 1 1 1 1 3 2 5 1 3 5 3 1 1 3
1 5 5 1 2 1 5 5 2 1 2 4 3 2 3 3 3 3 5 1 2 2 1
2 2 2 4 5 5 3 4 4 1 3 2 1 3 2 1 1 1 3 1 4 1 3 4
1 5 4 4 2 3 2 4 5 3 3 1 1 1 1 1 1

STUDENT NO. 21

2 5 1 3 1 1 5 1 1 5 3 1 3 2 1 1 1 1 5 1 2 2 5 1
1 1 3 1 1 2 5 4 1 1 3 1 1 1 2 3 3 4 3 2 1 1 1 1
1 2 2 1 4 2 1 3 2 1 1 1 1 3 1 1 2 1 2 2 1 1 2 1
1 1 2 3 3 3 1 2 3 2 1 1 1 1 1 1 2

STUDENT NO. 22

2 5 1 4 2 1 5 1 1 4 1 2 5 1 1 1 5 2 5 1 1 1 1 1
1 3 4 1 1 1 5 3 4 2 4 2 2 2 3 4 3 2 4 3 4 1 4 1
2 2 1 4 5 5 1 4 2 1 1 2 1 3 1 1 1 2 4 1 2 1 2 4
1 3 4 3 5 5 1 5 5 1 1 1 1 1 2 3 1

STUDENT NO. 23

2 4 3 3 2 2 4 3 3 3 1 2 3 2 2 2 2 1 4 2 2 2 1 2
1 3 4 1 1 1 5 4 3 2 4 2 2 2 3 4 3 2 4 4 4 2 4 2
2 2 2 3 2 4 2 4 2 2 2 2 2 2 2 1 1 2 2 1 4 2 3 2
1 3 4 1 4 5 5 1 5 2 2 1 1 2 2 2 1

STUDENT NO. 24

1 5 1 3 1 1 5 1 1 4 3 1 5 2 1 3 2 1 5 1 3 2 3 5
2 1 4 3 3 1 5 5 1 5 3 2 5 3 3 3 3 3 4 3 5 4 1 1
3 3 2 4 5 5 3 1 3 2 3 2 4 2 1 1 2 2 1 1 3 1 1 1
1 2 2 1 3 2 4 2 1 3 3 1 1 1 1 1 1

STUDENT NO. 25

5 5 5 5 1 2 3 4 5 1 1 1 3 1 4 4 5 1 5 1 1 1 4 1
1 5 5 1 1 1 5 5 1 5 3 1 3 1 2 5 5 3 5 5 1 1 5 5
2 5 5 5 5 5 1 3 4 3 3 1 1 3 3 3 2 3 4 2 2 1 3 1
1 5 3 3 1 2 1 1 1 3 3 1 1 1 1 1 1

STUDENT NO. 26

5 5 1 5 1 1 5 1 1 5 3 1 3 1 2 2 1 3 5 5 3 3 3 1
1 3 3 1 3 1 5 5 3 3 3 2 3 2 3 5 3 3 5 3 5 3 5 1
3 3 3 3 5 3 3 5 5 5 5 5 5 5 1 1 3 3 3 1 3 1 3 4
1 4 5 3 3 3 4 4 4 4 2 2 1 1 1 3 3 5

STUDENT NO. 27

3 3 3 3 3 1 4 3 3 3 3 1 3 2 3 1 3 2 4 2 2 2 2 1
1 3 4 1 3 1 4 3 3 3 4 3 3 2 3 3 3 3 3 2 4 3 3 3
3 3 3 2 1 3 1 3 2 2 2 2 1 1 2 3 3 3 5 5 1 3 3 5
1 3 3 2 4 5 3 3 3 4 2 1 1 1 1 1 1

STUDENT NO. 28

2 4 3 3 2 2 3 2 2 4 3 3 5 3 3 1 1 1 5 2 2 2 2 1
1 1 3 1 1 1 2 2 2 4 3 2 3 2 1 2 2 3 1 1 1 2 3 3
3 2 1 3 1 1 1 2 2 3 3 3 2 2 2 2 2 2 2 1 1 2 2 2
2 3 2 2 3 2 3 2 2 2 1 1 1 2 3 2 2

STUDENT NO. 29

5 3 5 4 3 3 3 3 3 3 1 2 2 2 4 4 1 2 2 3 2 3 4 4
2 3 5 1 2 1 5 4 4 3 2 2 3 1 2 2 2 2 4 5 5 4 3
2 3 4 4 2 1 3 3 3 1 1 1 2 2 1 1 3 2 3 1 4 4 5
1 5 1 1 2 3 2 1 1 2 1 1 1 1 1 1 2

STUDENT NO. 30

3 4 3 4 2 2 3 3 3 4 1 3 3 3 4 4 3 3 5 4 4 3 3 2
2 2 3 2 2 1 4 3 3 3 5 5 4 2 3 5 4 5 5 5 5 4 2 3
4 4 4 3 3 4 4 4 2 2 2 2 2 3 2 3 3 4 3 2 5 2 4 2
2 5 2 5 3 4 3 2 2 2 2 2 2 2 2 4 5

STUDENT NO. 31

2	5	1	3	1	1	5	1	1	5	2	1	2	1	2	3	1	1	5	1	2	2	4	1
1	2	2	1	3	1	4	3	3	4	2	2	2	1	3	2	3	1	4	5	5	1	2	1
2	4	2	2	4	4	1	3	2	2	1	3	3	2	2	1	1	1	2	1	4	2	1	2
1	5	4	1	4	5	4	1	5	1	3	1	1	1	1	1	3							

STUDENT NO. 32

1	5	3	2	1	2	5	2	2	5	3	1	1	2	3	4	2	3	2	5	5	1	3	1
1	2	4	1	1	1	5	5	1	4	4	1	1	1	2	3	4	3	2	5	5	5	5	5
5	4	3	1	1	3	1	3	1	1	1	3	3	3	1	3	2	2	3	1	1	1	4	4
1	1	3	1	1	1	1	1	1	1	3	1	1	1	1	1	1							

STUDENT NO. 33

3	1	5	1	1	1	5	1	3	5	1	3	5	1	2	1	1	2	5	1	5	1	1	1
1	3	3	1	1	1	5	1	5	1	1	1	5	2	3	1	1	1	3	3	4	2	1	1
1	1	2	1	1	5	1	1	1	1	1	1	1	1	1	1	2	1	2	1	2	2	2	4
1	3	1	1	3	1	3	1	3	1	1	1	1	1	1	1	1	4						

STUDENT NO. 34

5	5	2	5	1	1	2	1	4	5	5	4	5	5	3	2	3	3	5	2	3	2	3	2
1	2	4	1	3	1	5	2	2	3	2	1	1	1	1	4	2	4	4	3	4	2	4	2
2	1	1	1	2	1	2	3	1	1	1	1	1	1	1	1	1	5	5	1	1	3	4	5
1	1	3	2	1	1	2	1	1	1	1	1	1	1	1	1	1							

STUDENT NO. 35

3	5	3	3	1	2	5	2	2	3	1	2	5	1	2	3	1	4	5	4	5	1	1	5
1	5	2	1	4	1	5	5	4	3	3	2	4	2	2	5	2	2	2	5	4	5	4	1
3	2	2	2	3	2	1	3	1	1	1	1	1	1	1	1	3	3	5	1	5	3	5	5
2	5	4	4	3	2	1	4	5	1	2	3	1	2	1	2	4							

STUDENT NO. 36

2	4	2	4	2	1	4	3	2	4	2	3	3	4	2	3	1	3	3	3	3	2	3	3
2	3	2	1	2	1	2	1	3	3	3	2	2	2	3	1	2	3	3	4	5	3	5	1
2	3	3	2	5	3	3	4	2	3	2	3	2	3	2	3	3	2	5	2	2	2	4	5
1	3	3	3	2	2	4	2	3	1	2	2	1	1	2	1	3							

STUDENT NO. 37

5	5	1	3	1	1	5	5	3	5	3	2	5	5	2	2	1	4	5	1	5	5	2	3
1	1	1	1	1	2	3	2	1	5	5	4	1	1	1	1	1	1	3	1	5	5	5	1
1	1	2	1	5	1	1	3	2	1	1	1	1	1	1	1	2	1	5	1	4	1	1	5
1	4	5	1	1	2	1	5	2	1	2	1	1	1	1	1	1							

STUDENT NO. 38

4	4	2	3	2	2	5	3	2	5	3	2	2	4	2	2	1	1	5	2	3	2	4	2
1	3	5	1	1	1	2	3	2	4	3	2	3	2	2	4	2	2	3	4	2	3	4	2
2	3	2	2	4	2	3	4	2	2	2	3	2	3	3	3	2	4	2	2	4	2	3	4
1	5	3	1	4	4	1	4	4	1	2	1	1	1	1	1	1							

STUDENT NO. 39

4	4	2	4	2	2	4	2	3	4	2	2	4	2	2	2	2	2	4	2	2	2	3	2
2	3	4	2	1	1	2	4	3	2	4	2	4	2	3	2	2	2	3	2	3	2	4	1
1	2	3	2	2	2	2	2	2	1	2	2	1	2	2	2	2	2	2	1	2	2	2	2
1	2	3	4	2	2	4	2	2	2	2	1	2	2	2	2	2	2						

STUDENT NO. 40

2	5	2	3	1	1	5	3	2	5	2	3	5	1	2	1	1	2	5	2	2	1	2	1
1	2	2	1	1	1	4	2	1	2	2	5	2	2	2	1	2	5	5	2	5	2	5	1
2	5	2	5	5	2	2	2	2	1	1	5	2	2	2	2	2	4	5	1	2	1	5	4
1	2	2	4	2	1	1	4	5	3	3	1	1	1	1	1	2							

STUDENT NO. 41

5 5 3 5 1 2 5 3 2 1 4 1 5 2 4 1 1 4 5 5 5 1 5 5
1 5 5 1 1 1 5 5 1 3 5 4 5 1 4 5 2 5 5 5 5 1 1 3
1 4 5 5 5 5 5 4 5 1 1 4 3 4 1 3 4 4 4 1 5 2 5 2
1 5 3 3 3 3 2 2 2 1 1 4 4 2 2 2 5

STUDENT NO. 42

4 5 1 5 1 1 5 2 2 5 1 4 4 2 2 2 2 2 5 1 4 3 3 1
1 3 4 1 1 1 2 4 3 3 4 2 3 3 2 3 3 3 4 4 4 2 1 1
2 2 2 2 2 2 1 3 2 2 2 4 3 1 2 2 2 2 5 1 2 2 2 5
2 2 3 3 2 3 5 5 2 2 1 1 1 1 1 1 5

STUDENT NO. 43

2 5 2 3 1 2 5 2 2 5 1 1 5 4 1 2 1 2 5 1 2 2 3 2
5 3
3
3 3 3 3 3 3 3 3 3 3 3 3 3 3 3 3 3

STUDENT NO. 44

2 5 3 4 2 1 5 2 2 3 2 2 2 2 2 2 4 2 4 2 3 3 2 2
1 3 3 2 1 2 3 3 3 3 2 3 3 3 3 3 2 2 4 4 3 3 4 2
2 3 2 2 3 3 2 4 2 2 2 1 3 3 3 3 3 2 3 3 2 3 2
2 3 3 3 2 2 2 2 2 1 1 1 2 1 2 2 4

STUDENT NO. 45

3 3 5 5 4 5 3 3 3 3 3 3 3 1 3 1 3 4 5 5 5 1 1 1
1 1 5 1 1 1 5 5 3 3 3 3 3 3 3 3 3 3 3 3 3 3 3
3 3 3 3 4 3 2 4 3 2 4 3 3 4 1 1 3 3 5 2 1 1 2 2
1 1 3 5 5 5 5 5 5 3 3 3 3 3 3 3 3

STUDENT NO. 46

5 3 5 5 2 4 4 3 2 5 1 3 2 3 2 5 2 3 4 1 1 3 3 1
1 1 3 1 1 1 5 5 1 5 4 1 5 1 1 3 1 3 2 5 5 1 5 1
1 3 1 3 3 1 1 3 1 3 1 1 3 2 1 3 1 2 3 1 2 1 2 3
1 3 2 1 1 1 1 1 1 1 1 1 1 3 1 1 4

STUDENT NO. 47

2 5 2 3 1 1 5 3 2 4 2 1 3 2 2 1 3 3 5 1 1 1 3 1
1 3 3 1 1 1 5 3 3 4 5 3 3 2 2 3 3 3 3 2 3 3 3 2
3 3 2 3 4 2 2 3 2 1 1 2 2 2 2 2 2 4 4 2 1 1 4 4
1 2 3 2 4 2 2 4 2 2 2 1 2 2 2 2 1 4

STUDENT NO. 48

3 5 1 4 1 1 5 1 1 4 3 2 3 1 3 3 2 1 4 1 3 1 2 1
2 1 3 1 3 3 3 3 1 3 3 2 2 3 3 3 3 3 3 3 3 3 5 3
3 2 2 3 2 3 3 3 2 3 3 3 3 3 3 3 2 1 1 1 2 2 4 2
1 2 2 2 1 1 4 2 1 2 3 2 2 1 1 1 1

STUDENT NO. 49

2 5 1 3 1 1 5 2 1 5 4 2 4 3 3 3 3 3 3 3 3 3 3 3
3 3 3 1 1 1 4 2 2 2 3 2 3 2 2 2 2 2 3 4 3 2 3 3
3 2 3 2 3 4 2 3 2 2 2 3 3 3 3 3 1 1 2 2 2 1 1 2
1 2 4 3 3 2 4 2 1 4 2 1 1 1 1 1 4

STUDENT NO. 50

5 3 5 5 2 5 4 4 4 3 4 2 1 1 4 1 3 5 3 5 4 2 3 4
1 2 3 1 2 2 5 4 2 3 4 2 2 2 2 3 3 1 3 3 4 2 4 3
2 3 2 4 2 1 2 3 1 1 1 1 2 2 3 2 1 2 3 2 1 1 3 3
1 4 3 3 2 2 2 2 2 3 3 1 1 1 1 3 2

STUDENT NO. 51

3 3 5 2 3 2 3 3 3 1 1 2 3 1 3 2 3 3 4 2 5 2 3 3
2 4 5 1 3 2 4 4 3 3 4 3 5 3 3 3 3 3 3 3 5 4 1 3
3 3 4 3 3 3 3 4 3 3 3 3 3 4 2 4 2 5 2 1 1 2 4 4
1 1 4 5 5 5 5 5 5 3 3 2 3 2 3 2 3

STUDENT NO. 52

5 4 3 3 2 1 4 2 2 4 4 1 3 3 2 1 2 1 4 1 1 1 4 2
2 1 2 1 1 1 5 4 3 2 3 1 2 2 1 2 2 1 3 3 4 2 5 1
2 3 2 2 3 2 1 3 1 2 2 3 3 4 3 3 1 3 3 2 1 2 3 2
1 4 3 2 2 1 3 1 2 4 1 1 1 1 1 2 3

STUDENT NO. 53

7 4 3 3 1 1 5 3 2 5 2 2 2 2 1 1 1 3 4 1 4 2 4 3
2 3 3 1 2 1 3 4 2 3 3 2 2 2 3 4 2 2 2 3 5 1 5 2
2 4 4 3 5 5 1 2 2 3 2 1 2 3 2 4 4 5 3 5 1 5 5 5
1 5 3 3 1 1 3 1 1 1 3 2 2 1 1 1 3

STUDENT NO. 54

2 5 2 3 1 2 5 3 2 4 4 2 5 5 2 1 1 2 5 1 2 3 5 1
1 1 4 1 2 2 4 4 1 5 3 2 2 1 2 2 2 2 3 3 5 1 5 2
2 3 2 2 3 3 3 3 1 1 2 1 1 2 4 3 2 3 3 2 1 1 4 3
2 3 4 2 3 2 2 2 2 2 3 1 1 2 2 2 3

STUDENT NO. 55

4 3 5 3 2 3 1 3 5 1 1 4 1 1 2 1 4 3 5 1 3 2 3 2
3 4 5 1 1 1 3 3 2 2 3 2 3 3 3 2 2 3 2 4 1 3 1 2
2 3 2 4 1 3 3 2 4 2 3 2 3 4 3 3 4 2 3 1 2 1 2 2
1 4 3 2 2 1 4 1 1 3 2 1 1 1 1 1 1

STUDENT NO. 56

4 3 1 3 1 1 5 1 1 3 2 2 5 1 1 3 1 1 5 1 2 5 1 3
1 2 5 1 2 1 5 5 2 3 3 2 1 1 1 2 2 2 2 3 2 1 2 2
2 1 3 2 3 3 2 3 3 3 3 3 3 3 1 2 1 3 3 1 2 1 3 3
1 2 2 3 3 3 3 3 4 3 1 1 1 2 1 1 3

STUDENT NO. 57

3 4 4 4 3 2 2 4 3 4 1 4 4 2 4 2 4 3 5 1 4 2 3 2
3 2 4 1 2 2 4 5 2 3 3 3 3 2 2 3 3 3 4 4 4 3 4 2
3 4 4 2 4 2 3 3 2 1 2 2 2 2 1 1 3 3 3 2 5 3 3 2
2 5 3 3 3 3 3 2 2 3 2 2 2 2 2 2 2 4

STUDENT NO. 58

4 4 3 4 2 3 4 3 3 4 1 4 3 1 3 2 1 2 4 4 4 1 2 2
2 4 4 1 2 1 4 4 4 3 2 2 1 4 2 3 3 3 4 4 4 4 2 2
3 2 3 2 2 2 3 3 2 2 2 2 2 2 2 2 2 3 2 2 4 2 2 3
2 4 2 1 1 2 1 1 2 3 2 1 1 1 2 1 1

STUDENT NO. 59

4 4 2 3 1 4 4 3 3 4 4 2 4 1 3 2 1 1 4 2 4 2 3 3
1 2 2 4 2 1 3 4 1 3 3 3 4 2 2 2 3 4 5 4 3 1 5 4
1 1 2 3 2 3 1 3 2 2 1 1 1 2 1 2 1 2 1 1 4 1 4 2
1 5 2 5 4 1 3 1 4 2 1 1 1 1 1 1 1

STUDENT NO. 60

4 5 3 3 1 1 5 2 2 5 1 1 2 1 1 1 1 1 5 1 3 1 2 2
1 1 3 1 1 1 5 1 2 2 1 1 1 1 2 1 1 2 2 3 2 2 5 1
3 3 4 2 5 2 1 2 2 1 1 2 1 2 2 1 4 3 2 2 5 2 3 4
1 5 3 1 1 1 1 5 5 2 1 1 1 1 1 1 2

STUDENT NO. 71

4 2 5 5 2 2 2 2 4 5 3 1 1 5 2 2 4 4 5 5 4 3 1 1
1 1 4 1 1 1 5 1 1 3 2 2 4 1 1 5 2 4 4 1 1 1 1 1
1 3 1 4 5 5 1 4 1 1 1 1 1 1 1 1 1 1 5 1 5 1 5 5
5 2 2 1 5 2 1 5 2 3 2 1 1 1 1 1 1 5

STUDENT NO. 72

3 4 1 1 1 2 4 2 2 1 2 4 1 1 2 2 1 5 3 4 1 1 1 1
1 3 3 1 1 1 5 4 1 3 2 1 2 1 2 5 3 3 4 5 1 1 3 1
1 2 3 3 2 5 1 3 1 1 1 2 2 2 1 1 2 3 5 1 1 2 2 4
1 3 2 2 1 2 2 1 1 2 1 1 1 1 1 1 1

STUDENT NO. 73

5 5 1 1 5 1 5 1 1 5 1 1 5 5 1 2 1 1 5 1 1 5 4 1
1 1 2 1 1 1 2 2 1 1 2 1 1 2 2 1 1 1 1 1 1 1 1 1
1 1 1 1 5 1 3 1 1 1 1 1 1 1 1 1 1 2 4 1 3 1 2 3
1 5 2 1 3 3 5 4 1 2 1 1 1 1 1 5 1 3

STUDENT NO. 74

2 3 4 2 2 2 4 3 4 5 4 3 5 2 3 1 2 4 5 5 4 1 2 2
4 3 5 1 1 2 5 2 2 4 2 3 4 2 2 5 4 3 5 5 5 2 2 3
3 2 3 4 2 2 2 3 3 3 3 3 3 3 2 3 4 2 3 3 4 3 3 3
2 4 3 3 3 3 2 3 3 3 3 3 2 4 3 4 3

STUDENT NO. 75

3 4 3 3 2 2 4 3 3 4 3 2 3 2 2 2 2 2 4 3 2 2 2 2
2 3 3 2 2 2 4 3 3 2 3 3 2 2 2 3 3 3 2 2 2 2 2 2
2 3 2 2 2 2 3 2 2 1 2 3 2 3 2 2 2 2 2 2 2 1 2 2
3 3 3 3 3 3 3 2 2 3 2 1 1 1 1 1 2

STUDENT NO. 76

4 4 5 3 2 2 5 2 4 3 2 2 1 1 2 1 1 2 5 3 2 3 4 1
1 2 4 1 1 1 4 5 2 2 5 5 2 2 3 2 1 1 2 5 1 1 2 2
2 1 2 2 5 5 2 3 1 1 1 1 1 1 2 1 1 5 2 1 1 1 2 2
1 4 2 1 4 5 2 1 4 1 1 1 2 1 1 1 2

STUDENT NO. 77

5 3 5 4 2 3 3 5 5 3 1 4 2 2 4 1 1 3 4 2 5 3 3 2
2 5 2 1 3 1 5 5 3 3 4 5 3 4 3 3 2 2 5 3 3 3 4 3
3 2 5 4 3 2 2 3 2 2 3 2 3 4 1 3 1 3 5 4 2 1 5 5
2 4 1 1 4 5 3 2 1 3 1 1 1 1 1 1 5

STUDENT NO. 78

1 4 5 3 4 3 3 4 5 4 1 1 1 1 3 2 4 5 2 4 2 1 1 1
1 5 4 2 1 3 1 1 4 2 2 4 2 4 3 3 5 3 4 1 4 1 1 3
4 2 4 3 2 5 3 4 2 4 4 3 3 3 1 1 3 3 5 1 5 4 4 5
1 1 3 2 2 3 2 2 3 4 3 1 3 3 2 3 2

STUDENT NO. 79

3 5 4 2 3 5 5 4 3 3 3 1 5 1 1 1 1 1 3 5 1 5 3 1
1 3 3 3 3 2 4 2 3 3 3 3 2 4 3 3 3 1 3 3 2 3 2 4
1 3 5 1 5 5 1 3 2 4 3 2 3 3 2 4 3 3 3 1 5 3 5 5
5 5 5 5 1 1 5 1 1 1 1 1 1 1 1 1 1

STUDENT NO. 80

5 5 5 5 1 1 5 5 3 3 5 1 5 4 5 4 5 5 5 5 5 5 1 5
1 5 1 1 1 1 1 1 5 5 1 5 1 5 5 5 5 5 5 5 5 1 1 5
5 5 5 5 5 5 5 5 5 1 1 1 2 1 3 3 3 1 5 1 5 3 3 5
1 4 5 3 3 2 4 4 1 5 3 1 3 3 3 3 3

STUDENT NO. 81

2	5	4	5	3	5	3	5	5	5	1	5	1	5	1	4	1	1	5	5	3	2	1	1	1
1	3	3	1	1	1	5	5	1	3	3	3	3	3	3	2	2	4	1	4	5	1	3	2	4
4	4	2	1	1	5	1	5	3	3	2	1	1	2	2	2	2	3	4	4	2	1	2	4	
2	2	2	3	2	2	4	4	2	2	4	1	1	4	2	2	4								

STUDENT NO. 82

4	3	5	5	2	2	2	3	3	3	1	3	3	1	2	2	2	3	2	5	5	3	5	2
2	1	1	1	2	2	5	4	3	4	3	2	5	2	2	2	3	3	5	3	3	4	2	1
3	5	5	3	3	4	1	3	2	3	3	1	5	3	2	3	4	3	2	3	3	2	2	3
1	5	3	3	3	3	3	3	3	3	2	2	1	1	1	1	2							

STUDENT NO. 83

3	3	5	1	3	3	1	1	1	1	1	1	1	1	5	5	3	3	1	1	1	5	5	1
5	1	5	3	5	5	5	5	5	5	5	2	5	3	3	4	1	1	1	1	5	1	1	1
3	4	2	1	2	4	5	2	4	2	3	3	1	1	2	3	5	5	5	5	5	5	5	5
5	5	5	5	5	5	5	5	5	5	5	5	5	5	5	3	5							

STUDENT NO. 84

5	4	4	4	2	5	1	2	2	2	1	4	1	1	2	5	3	5	4	2	3	2	5	1
1	1	5	1	1	1	5	5	2	5	1	4	4	2	4	4	4	4	5	5	5	5	1	3
4	5	5	4	4	4	2	5	1	1	3	1	5	5	1	1	1	1	5	1	3	1	1	1
1	5	1	1	1	1	5	1	1	2	3	2	2	4	2	3	5							

STUDENT NO. 85

3	5	3	5	1	3	5	2	2	5	1	1	1	1	1	1	3	3	3	1	1	1	1	1
1	1	1	1	1	1	1	3	1	3	3	3	3	3	1	1	3	3	3	3	1	5	1	1
1	1	3	3	3	3	1	3	3	3	3	1	1	1	1	1	1	1	5	1	1	1	1	3
1	1	1	1	3	3	1	3	5	1	1	1	1	1	1	1	5							

STUDENT NO. 86

2	3	3	4	1	4	4	3	3	2	1	2	1	1	3	1	2	4	3	4	4	2	3	2
2	4	4	2	2	2	4	4	2	2	4	2	2	2	3	3	3	3	3	3	4	3	2	3
3	3	2	3	1	1	2	3	2	2	2	2	3	3	2	2	2	2	5	3	2	2	2	5
2	3	3	2	2	3	4	2	3	3	2	3	1	3	3	2	2							

STUDENT NO. 87

5	1	5	5	5	5	1	5	5	1	1	3	5	1	5	5	5	5	1	5	5	5	1	3
3	5	1	1	1	1	5	5	3	3	3	5	5	5	3	3	4	3	5	3	5	4	5	3
3	3	5	3	3	3	2	5	3	2	2	3	3	3	3	3	5	5	5	5	4	2	5	4
2	5	3	5	5	5	5	5	5	2	3	3	3	2	3	1	5							

STUDENT NO. 88

2	2	3	4	2	2	2	2	3	1	1	1	2	5	3	2	1	2	5	1	2	2	1	4
2	2	2	3	3	1	4	4	4	4	2	4	2	2	3	2	2	3	2	4	4	1	2	3
2	4	2	3	2	4	2	3	1	1	1	1	2	3	3	1	1	1	1	1	2	1	2	2
1	2	3	1	1	1	1	2	3	1	2	1	1	1	2	2	1							

STUDENT NO. 89

3	2	2	3	2	2	2	3	2	2	2	1	3	1	2	1	2	3	3	3	2	1	1	2
1	2	4	1	3	1	3	2	2	2	4	3	2	2	2	3	3	2	3	4	2	2	4	3
3	3	2	3	4	3	2	2	2	2	2	3	2	2	2	1	2	3	3	1	2	1	3	3
1	2	3	3	4	5	2	4	5	2	1	2	2	1	2	2	2							

STUDENT NO. 90

2	3	3	3	2	3	5	3	3	3	4	2	3	2	2	2	2	3	4	2	2	2	2	2
2	2	3	2	2	2	3	3	2	3	3	3	2	2	3	2	3	2	3	3	3	2	2	2
2	2	3	2	2	2	2	2	2	2	2	3	2	3	2	2	2	2	3	2	2	2	3	2
1	3	2	2	3	3	2	2	2	2	2	2	1	1	1	1	2							

STUDENT NO. 91

3	2	4	3	1	1	5	2	2	1	2	2	1	2	2	1	1	2	5	1	3	2	3	2
1	1	2	1	2	2	5	5	2	3	4	3	3	2	2	2	3	2	3	3	2	2	1	3
2	2	1	2	2	2	3	3	3	3	3	1	2	2	3	3	1	2	5	1	4	1	3	5
1	5	2	3	1	1	5	5	5	3	3	1	1	1	1	2	2							

STUDENT NO. 92

2	5	4	5	1	1	5	1	2	5	3	1	4	2	2	2	2	3	5	3	5	5	5	3
1	3	5	1	1	1	5	1	5	4	4	5	3	3	5	5	4	4	4	3	1	1	5	1
5	3	5	5	5	5	3	5	5	2	1	4	4	4	2	3	2	2	3	1	2	1	2	4
1	2	3	1	1	1	3	1	3	1	3	3	2	3	2	3	3							

STUDENT NO. 93

4	4	1	5	1	2	4	3	2	5	4	1	3	2	1	1	5	1	5	5	3	5	1	1
1	1	5	1	1	1	5	1	1	2	2	1	1	1	1	1	1	1	3	1	1	1	1	1
1	5	1	1	3	1	1	5	1	1	1	1	1	1	1	1	1	5	5	1	5	1	5	3
1	3	1	5	2	2	3	1	1	3	1	1	1	1	1	1	5							

STUDENT NO. 94

3	4	3	3	1	1	5	2	2	5	2	2	1	2	2	2	2	1	5	3	3	3	3	1
1	1	3	1	2	1	4	4	2	4	2	2	2	1	1	2	2	2	2	3	2	1	3	2
2	2	2	2	3	2	1	2	1	1	1	1	1	1	1	1	2	3	2	2	1	2	3	3
1	5	2	1	4	5	1	5	5	5	1	1	1	1	1	1	5							

RESPONSES - TECHNICIAN STUDENTS OVER 18 YEARS OF AGE

STUDENT NO. 1

4	2	2	1	1	2	5	2	4	5	2	4	5	2	2	2	3	1	5	1	1	2	2	1
1	2	2	2	2	1	4	1	2	4	2	2	1	2	2	2	3	2	4	5	2	2	1	1
3	4	2	2	3	0	2	4	2	1	1	1	1	2	2	2	1	1	2	2	0	1	1	1
1	3	2	2	1	4	1	2	4	1	1	1	1	1	1	1	1							

STUDENT NO. 2

4	5	2	3	1	1	5	2	2	5	5	2	4	2	1	2	2	1	5	3	2	3	3	1
1	2	3	2	1	1	2	1	2	2	3	1	1	3	2	2	2	2	3	2	2	2	2	1
2	2	1	1	2	2	2	2	2	2	1	2	1	2	2	2	3	3	3	3	3	3	3	3
3	3	3	3	3	3	3	3	3	3	3	3	3	3	3	3	3							

STUDENT NO. 3

2	5	3	2	1	1	5	1	2	5	3	1	5	4	2	2	2	1	5	1	2	1	5	1
2	4	2	2	1	1	4	2	2	3	2	3	1	3	1	1	2	3	5	4	1	1	3	4
1	1	2	1	5	4	2	3	2	1	1	1	2	4	2	2	1	2	3	1	2	1	3	3
1	2	2	3	3	3	1	1	1	1	2	1	2	1	1	1	2							

STUDENT NO. 4

4	4	2	3	2	2	4	3	2	4	2	2	2	4	2	4	2	3	4	2	3	3	3	2
3	3	3	2	2	2	2	2	3	3	3	3	2	2	2	3	3	2	3	3	4	3	2	3
2	2	2	2	4	2	2	3	2	2	2	3	3	3	3	3	2	2	2	3	2	5	2	2
2	5	2	3	3	3	2	3	3	2	2	2	2	2	3	2	3							

STUDENT NO. 5

1	5	1	1	1	1	5	1	1	5	5	1	4	4	1	1	1	1	5	1	1	1	5	1
1	1	2	1	1	1	1	1	1	1	3	1	1	1	1	1	2	2	1	1	1	1	5	1
1	1	1	1	2	1	1	1	1	1	1	1	1	1	1	2	1	1	1	1	1	1	1	1
1	1	5	2	5	5	1	3	5	3	1	1	1	1	1	1	1							

STUDENT NO. 6

1	5	1	1	1	1	5	1	1	5	2	2	2	1	2	2	2	2	4	1	2	2	3	2
2	2	4	1	2	1	4	3	2	3	2	2	2	2	1	1	2	1	2	2	4	2	2	2
2	2	1	1	5	2	2	2	1	1	1	1	1	2	1	2	2	3	5	1	2	1	2	2
1	2	2	2	4	3	1	2	3	1	1	1	1	1	1	1	1	2						

STUDENT NO. 7

2	4	4	3	2	2	4	3	3	4	4	1	2	1	2	1	2	3	5	3	2	1	2	1
1	2	4	1	2	2	3	3	2	2	3	2	1	1	1	4	2	2	2	3	4	3	3	3
3	2	3	2	1	2	1	3	2	1	1	3	2	2	1	2	1	1	1	2	2	2	3	3
2	2	3	2	2	1	1	2	2	2	2	1	1	1	2	2	1							

STUDENT NO. 8

5	5	2	2	1	1	5	2	2	5	2	1	2	1	1	1	3	2	5	3	2	5	3	2
1	2	3	1	1	1	4	3	2	2	3	2	2	1	2	3	1	3	2	5	3	2	2	1
3	1	1	2	2	3	1	3	1	1	1	1	3	1	1	1	1	1	1	1	1	1	1	3
1	4	3	5	1	1	1	1	1	3	1	1	1	1	1	1	1							

STUDENT NO. 9

3	3	4	3	3	3	3	3	3	3	3	2	3	3	3	2	2	4	3	4	3	2	3	2
2	3	4	2	2	3	5	4	3	3	4	2	3	2	2	2	4	3	3	3	2	2	1	3
2	3	3	3	2	3	3	3	3	3	2	2	2	2	2	3	3	3	3	3	5	2	4	4
2	5	3	3	3	3	3	3	3	3	3	3	3	3	3	3	3							

STUDENT NO. 10

3	4	4	3	2	2	1	1	2	5	5	5	4	2	1	1	2	1	5	1	4	3	3	1
2	2	2	1	1	3	4	4	3	4	3	2	2	2	2	2	2	3	3	3	2	2	4	2
2	2	2	3	3	4	1	3	2	3	2	2	2	3	3	3	1	2	2	2	1	1	1	3
2	2	3	3	2	2	1	1	1	3	3	3	1	2	1	1	1							

STUDENT NO. 11

2 4 2 3 1 2 5 2 1 5 3 1 1 3 2 3 1 1 5 1 2 4 3 2
1 3 2 1 1 3 1 3 2 5 3 2 2 2 2 2 3 3 4 2 2 2 5 2
2 2 2 2 1 3 2 3 2 3 3 2 2 2 2 2 2 2 1 2 2 2 1
1 2 2 2 4 5 3 2 4 1 2 1 2 2 2 2 5

STUDENT NO. 12

4 2 5 4 2 2 4 4 3 4 4 4 4 1 2 2 2 2 5 2 3 2 4 1
1 2 5 1 1 2 5 1 3 3 2 2 1 2 2 3 2 2 2 3 4 4 4 2
1 2 2 2 4 3 2 3 3 2 1 2 2 2 2 2 1 2 4 1 1 1 2 1
1 1 2 4 2 2 1 3 5 2 3 3 1 1 1 1 1

STUDENT NO. 13

5 5 2 3 1 2 5 2 2 5 4 2 3 2 2 3 1 2 5 2 3 4 3 3
2 2 4 1 1 1 5 4 3 3 3 2 2 2 2 2 2 2 3 3 5 3 2 3
2 3 2 3 1 2 2 3 2 2 2 2 2 3 2 3 2 2 2 1 2 2 3 3
1 3 3 3 1 1 2 1 1 3 3 3 2 5 2 2 5

STUDENT NO. 14

5 3 2 1 1 1 4 2 2 5 2 2 5 2 2 4 2 2 4 1 2 3 2 1
1 1 2 1 2 2 5 4 2 3 3 1 2 1 2 3 2 1 1 3 1 1 3 2
1 2 3 2 1 2 1 2 1 1 1 2 2 2 1 2 1 1 2 1 2 1 1 3
1 2 2 2 2 1 1 1 1 1 1 1 1 1 1 1 2

STUDENT NO. 15

5 4 3 4 5 5 4 2 3 1 1 1 1 1 2 4 2 2 5 4 1 5 3 2
1 1 1 1 1 1 5 5 1 3 4 2 2 1 1 1 1 1 4 1 1 1 4 1
1 1 1 2 2 5 2 3 1 1 1 1 1 3 2 2 2 1 2 1 2 1 2 2
1 2 1 1 2 2 1 2 3 2 1 1 1 1 2 3 2

STUDENT NO. 16

1 3 4 3 2 2 5 1 2 4 4 2 1 1 2 4 3 4 4 2 4 2 2 2
2 3 4 2 3 1 4 2 2 4 4 2 1 5 1 3 4 4 3 3 4 3 2 2 2
2 3 5 3 2 3 2 3 2 2 2 2 2 3 3 2 3 2 1 3 2 2 1 3 3
1 3 3 4 2 2 2 2 2 2 1 1 2 2 2 2 1 3

STUDENT NO. 17

2 4 3 3 1 2 5 3 3 1 1 1 1 1 3 2 3 1 3 3 3 1 3 3
2 2 5 1 1 1 1 3 2 4 4 3 4 2 3 2 2 2 2 2 2 2 1 2
2 3 2 2 3 3 2 3 3 3 2 4 2 2 2 2 2 2 2 3 2 3 3 3
3 3 3 3 3 3 3 3 3 3 1 1 1 1 1 1 5

STUDENT NO. 18

4 5 2 3 2 1 4 2 2 5 4 2 3 2 2 2 1 2 5 1 4 3 1 1
1 1 4 1 3 3 4 4 2 3 3 3 3 2 2 1 3 1 3 3 2 3 1 1
3 4 4 2 5 2 1 3 1 1 1 3 3 2 2 3 5 2 2 2 2 1 3 2
1 4 2 3 3 1 5 5 1 1 3 1 1 1 1 1 1

STUDENT NO. 19

1 5 2 3 1 1 5 2 2 4 2 2 1 3 2 3 1 1 5 2 2 3 1 1
1 3 4 1 2 3 4 5 2 3 1 2 5 3 3 3 3 3 1 3 1 4 4
3 3 3 3 3 3 3 4 3 3 3 3 3 1 1 3 5 1 2 3 3 2 2 2
2 2 3 3 3 2 2 3 1 2 1 1 3 3 3 1 1

STUDENT NO. 20

3 5 1 3 1 2 5 3 1 5 3 2 4 4 2 1 1 3 5 1 1 1 1 1
2 2 4 1 1 2 3 5 2 3 4 2 4 1 1 3 2 3 3 3 4 3 5 1
2 3 1 1 3 1 1 2 1 1 1 1 3 3 3 3 1 2 3 1 2 1 2 2
1 2 3 3 2 1 3 1 1 4 1 1 2 1 1 1 3

STUDENT NO. 21

5 5 1 3 1 2 5 1 1 5 2 2 3 3 2 3 2 1 5 1 2 1 3 1
1 1 2 1 2 1 3 1 1 3 2 1 1 1 1 1 1 1 2 1 2 1 3 3
1 1 1 1 2 1 1 1 1 1 1 3 1 1 1 2 1 1 1 1 1 1 2 3
1 3 2 3 1 2 1 1 2 1 1 1 1 1 2 1 1

STUDENT NO. 22

1 5 1 2 1 1 5 2 2 5 3 2 3 1 1 1 1 1 5 1 2 1 2 1
1 1 3 1 1 1 3 4 1 2 2 1 2 1 1 1 2 1 1 1 3 1 4 1
1 2 2 4 3 4 4 2 1 1 3 2 2 3 2 2 1 2 1 1 4 1 3 2
1 4 2 2 1 2 3 1 2 3 1 1 1 1 1 1 1

STUDENT NO. 23

2 5 4 3 1 1 5 2 2 5 3 2 1 1 1 2 3 1 5 2 2 3 3 1
1 1 5 1 1 1 4 5 1 2 3 1 3 1 1 1 2 2 3 3 4 5 1 1
2 3 2 2 5 3 1 3 2 3 3 1 1 2 1 2 2 2 1 2 3 1 2 3
1 3 2 2 1 1 3 2 1 2 1 1 1 1 1 1 2

STUDENT NO. 24

3 4 3 3 1 1 5 1 2 5 3 1 1 2 2 1 1 3 3 5 1 2 3 1
1 2 5 1 1 2 5 5 1 3 3 2 1 1 1 1 2 1 3 4 2 2 2 1
2 4 2 2 2 3 1 2 2 4 2 1 2 3 1 2 1 1 3 1 4 1 2 2
1 3 3 1 1 1 1 3 4 4 2 1 1 1 1 2 2

STUDENT NO. 25

3 4 3 3 1 1 5 1 1 5 4 2 5 2 1 1 1 1 5 3 1 1 2 1
2 2 4 1 1 2 5 5 1 3 3 2 4 1 1 1 2 1 3 3 2 2 1 2
2 4 2 2 5 2 1 2 1 3 2 1 1 3 1 2 1 2 2 1 2 1 2 2
1 3 3 2 1 1 2 1 1 3 2 1 1 1 1 1 2

STUDENT NO. 26

2 4 4 2 2 2 4 3 3 3 3 3 5 2 1 1 1 1 5 1 1 2 4 2
1 2 2 1 1 1 3 3 3 2 2 2 3 1 3 3 3 2 2 2 1 1 2 2
3 3 2 2 5 3 3 2 3 2 2 2 4 4 2 2 2 4 4 2 4 1 3 2
1 3 2 3 2 1 3 2 1 3 1 1 1 1 1 1 3

STUDENT NO. 27

3 5 2 2 1 1 5 2 2 3 2 2 5 4 1 2 5 1 5 1 1 1 3 1
1 4 2 1 1 1 5 3 3 1 2 2 3 2 3 2 2 3 3 2 5 2 5 3
3 2 3 2 5 4 3 5 2 3 2 3 3 2 3 3 1 3 2 1 4 1 2 2
1 5 3 1 4 5 1 3 5 1 3 1 3 1 2 1 1

STUDENT NO. 28

1 5 1 3 1 1 5 2 1 5 1 1 4 2 1 1 2 4 5 2 4 1 5 2
2 2 2 1 1 1 5 3 2 4 2 1 5 1 1 3 1 1 3 3 2 1 2 2
1 1 2 1 2 2 2 4 2 1 1 1 1 1 2 1 1 2 1 1 2 1 2 2
1 2 2 2 1 2 2 4 2 2 1 1 1 1 1 1 4

STUDENT NO. 29

2 5 1 3 1 1 5 2 2 5 3 2 5 5 2 1 1 2 5 2 3 2 3 2
2 2 3 1 1 1 5 4 2 3 2 2 4 2 3 3 3 3 4 3 5 3 2 3
2 3 3 2 5 3 2 4 2 2 2 2 2 2 3 3 1 3 4 1 2 1 3 4
1 2 3 3 3 3 2 2 1 2 3 1 1 1 1 1 2

STUDENT NO. 30

5 2 4 5 3 3 4 3 4 4 4 2 4 2 2 1 3 3 3 3 2 2 3 2
1 2 1 1 1 2 3 4 2 3 4 2 1 1 2 3 2 2 3 2 4 1 2 2
2 3 1 2 3 1 1 3 1 1 3 1 2 3 1 4 2 1 3 2 4 1 4 4
1 5 5 1 2 5 3 2 3 4 1 1 3 2 4 2 2

STUDENT NO. 31

5 5 1 3 1 1 5 3 2 5 4 2 5 4 2 2 2 2 5 2 2 2 3 2
1 2 3 1 1 1 2 2 2 2 2 2 2 2 2 2 3 3 3 2 2 2 2 2
2 3 2 2 3 4 3 4 2 2 2 2 2 2 2 2 3 2 2 2 2 2 2
2 2 3 2 3 2 2 2 2 3 1 1 1 1 1 1 2

STUDENT NO. 32

4 4 4 4 3 5 1 2 5 1 4 4 1 2 5 1 1 2 2 5 3 1 3 1
1 3 2 1 1 1 2 4 1 3 2 3 2 4 2 4 2 2 4 2 4 4 4 1
5 2 4 4 1 5 1 5 2 2 2 1 4 2 2 2 2 3 2 4 4 1 2 2
3 1 4 4 2 2 1 3 4 1 1 1 1 1 2 4 1

STUDENT NO. 33

4 4 2 1 2 3 4 2 2 4 4 1 4 1 2 1 3 1 4 5 4 1 3 2
1 2 3 1 3 1 5 2 2 3 2 2 5 1 1 1 2 2 2 2 4 2 3 3
3 3 2 4 4 2 1 3 2 2 2 4 2 3 2 3 1 2 1 1 4 1 2 3
1 5 3 3 1 1 4 4 3 2 2 1 1 1 1 1 3

STUDENT NO. 34

1 5 1 4 1 1 5 1 1 5 3 1 5 5 1 1 1 1 5 3 2 1 2 2
2 3 5 1 1 2 2 2 3 4 4 1 1 3 2 4 1 5 3 3 1 1 5 1
2 1 1 4 2 3 1 3 2 1 1 2 1 2 1 1 1 2 2 3 1 2 2
1 2 2 1 2 2 1 2 5 2 3 1 1 1 2 3 5

STUDENT NO. 35

3 2 5 4 3 5 1 4 5 1 3 4 3 1 5 2 2 3 1 3 3 1 2 2
2 3 3 2 2 2 5 1 3 3 3 3 3 2 2 3 4 5 5 4 5 5 4 3
3 4 4 3 4 4 3 5 4 2 2 3 3 3 2 3 3 5 5 3 2 2 3 4
2 3 3 3 3 2 4 4 5 1 1 1 1 1 1 2 2

STUDENT NO. 36

2 3 3 3 2 3 4 3 3 3 2 1 3 2 3 1 1 1 4 1 1 1 3 1
2 4 2 3 3 3 3 3 3 3 3 3 4 3 2 2 3 5 5 4 3 2 3 2
4 4 3 3 3 4 3 3 2 1 1 2 1 1 1 1 1 1 4 5 1 2 2
4 5 3 1 2 2 1 1 2 2 2 1 1 3 3 1 2

STUDENT NO. 37

1 2 3 4 2 2 4 2 3 4 4 3 5 5 2 1 2 2 5 3 5 5 5 3
2 3 1 1 3 2 1 1 3 3 2 3 4 3 3 4 4 3 2 4 4 2 2 3
3 3 2 2 5 3 3 3 3 2 3 2 2 2 1 1 2 3 4 5 1 1 2
3 5 3 4 2 2 1 2 3 4 1 1 1 1 1 1 2

STUDENT NO. 38

2 4 2 3 1 2 5 2 2 5 5 1 1 2 2 2 1 1 5 1 2 1 2 1
1 1 2 1 3 1 5 1 2 3 4 2 2 1 1 2 2 2 3 2 1 1 1 2
1 1 2 1 3 2 2 1 1 3 1 1 1 2 2 1 1 2 1 1 2 1 3 1
1 3 5 2 1 1 1 2 2 1 3 1 1 1 1 1 1

STUDENT NO. 39

3 4 3 4 2 2 4 2 2 5 4 3 3 3 3 2 1 2 5 1 2 3 3 1
1 2 5 1 2 1 4 5 4 3 3 2 2 2 2 4 3 2 4 2 5 2 1 2
4 3 2 4 4 4 2 4 2 1 1 2 2 2 1 2 2 2 2 2 5 1 2 3
5 1 1 3 3 3 1 2 4 2 1 2 2 1 1 2 2

STUDENT NO. 40

2 5 2 3 2 2 5 1 2 3 1 2 3 2 2 2 1 2 5 2 5 1 5 5
1 5 4 1 2 2 5 3 4 3 3 3 5 5 4 1 3 3 4 2 5 2 1 1
4 3 5 5 5 4 2 5 3 1 1 1 1 1 2 1 1 2 2 5 1 1 1
1 5 2 5 1 1 5 5 5 3 3 1 3 2 1 1 5

STUDENT NO. 41

2 4 3 4 1 1 5 2 2 5 3 3 5 5 1 1 1 2 5 1 3 2 4 5
1 5 4 1 2 2 5 3 4 3 3 2 5 3 3 1 3 3 5 3 3 2 4 1
4 2 5 4 5 4 2 5 3 1 1 1 1 3 1 1 1 1 2 2 5 1 1 2
1 3 1 2 1 1 5 5 5 4 3 1 1 1 1 1 1

STUDENT NO. 42

5 5 2 2 1 1 5 3 3 4 2 3 1 1 1 3 1 1 5 5 5 1 3 3
1 5 5 1 1 1 5 3 5 3 3 3 5 2 4 1 3 3 5 3 4 2 5 1
4 2 2 4 5 5 1 2 3 1 1 1 1 1 1 2 2 5 3 2 5 1 4 4
1 5 1 5 1 5 5 3 5 5 3 1 1 1 1 1 5

STUDENT NO. 43

5 4 2 3 2 2 5 1 1 4 2 1 3 1 2 3 1 3 3 5 2 1 5 3
2 4 5 1 1 1 4 5 2 5 5 4 3 3 2 3 3 4 3 3 5 1 2 5
3 2 4 5 5 4 3 5 4 2 2 3 1 2 2 1 1 5 4 2 5 1 5 5
1 5 3 1 2 3 2 2 2 5 3 2 1 2 2 1 5

STUDENT NO. 44

1 5 5 5 1 1 5 3 3 5 5 1 3 3 3 1 5 5 5 5 4 3 5 5
1 5 3 1 1 1 5 2 3 3 4 5 4 4 5 1 1 1 3 3 5 3 5 2
5 5 4 3 3 5 5 4 4 1 1 1 2 4 3 1 1 3 4 1 3 1 5 5
1 4 1 3 1 1 2 1 1 5 1 1 3 1 3 4 3

STUDENT NO. 45

3 4 4 3 1 1 5 3 2 1 3 2 1 1 2 1 1 3 5 1 3 3 3 4
1 1 3 1 1 1 5 3 3 3 3 4 4 2 2 2 4 1 3 3 5 2 1 3
3 1 2 3 3 5 3 4 5 3 2 2 3 3 3 3 1 5 5 2 2 1 5 4
2 5 3 3 3 3 5 5 5 3 3 1 1 3 3 3 3

STUDENT NO. 46

3 5 4 3 2 2 4 2 4 4 4 4 2 4 4 2 2 4 4 2 2 4 4 4
2 2 2 2 2 2 4 2 2 2 2 2 2 2 2 2 4 4 2 2 4 4 4
2 2 2 2 4 3 2 2 2 2 2 2 1 3 2 2 2 2 2 2 5 2 2 2
2 5 3 3 3 1 3 2 1 2 2 1 1 1 1 1 2

STUDENT NO. 47

3 5 1 5 1 1 5 2 1 4 1 4 4 2 2 2 3 2 5 4 3 4 2 3
2 2 4 2 3 2 5 4 2 2 2 2 4 2 3 2 3 2 2 2 1 2 3
2 1 2 4 1 3 3 3 2 2 3 2 2 2 2 2 1 4 4 1 3 1 4 4
1 3 3 4 4 2 4 3 2 3 2 1 2 1 2 4 2

STUDENT NO. 48

3 4 1 3 1 1 5 3 1 5 2 1 4 3 1 4 1 2 4 5 2 1 1 2
1 4 2 1 1 1 2 4 3 3 4 3 2 4 4 2 3 2 4 2 5 2 3 3
4 3 4 3 5 4 2 4 2 2 2 2 2 1 3 2 1 4 5 1 2 1 5 5
1 3 2 3 1 1 2 2 2 3 3 1 1 1 2 3 4

STUDENT NO. 49

3 1 2 2 3 4 4 3 2 5 5 1 1 5 3 2 1 3 2 5 5 1 3 1
1 5 3 1 1 1 5 3 5 3 3 2 2 3 3 4 3 5 3 3 5 4 4 3
4 4 3 3 2 5 4 5 4 1 2 2 2 3 3 3 2 5 5 4 5 1 5 5
1 5 3 2 4 3 4 5 3 5 4 1 1 1 1 1 2

STUDENT NO. 50

3 4 4 3 1 2 5 3 2 5 1 1 2 1 3 1 3 2 5 4 2 1 2 4
3 2 3 1 3 2 3 2 1 4 3 2 1 1 2 4 3 1 3 4 5 5 5 1
2 4 2 1 2 3 1 2 2 1 1 3 3 3 1 2 2 4 4 1 2 2 5 5
2 5 4 2 3 3 3 3 3 3 3 3 3 3 3 3 3

STUDENT NO. 51

3 5 2 3 1 2 5 1 1 5 3 1 4 4 1 2 1 2 5 1 1 3 2 2
2 4 3 2 2 1 3 3 4 2 3 4 3 3 1 3 2 4 3 3 5 2 3 2
4 4 3 3 4 5 2 3 2 1 2 2 3 2 2 2 1 2 4 2 3 1 2 4
1 4 1 4 2 1 4 2 1 3 2 1 1 1 1 1 2

STUDENT NO. 52

1 3 5 3 1 3 5 2 2 1 2 1 1 2 3 1 3 1 5 1 3 2 3 1
1 2 3 1 2 3 2 5 3 4 2 2 3 3 2 5 3 2 3 4 2 2 3 1
2 2 3 5 3 3 1 3 2 3 3 2 3 3 3 2 3 2 2 2 2 2 4 3
2 5 3 3 2 2 2 2 2 2 3 1 1 1 1 2 1

STUDENT NO. 53

5 4 4 5 1 1 5 2 4 4 1 1 1 2 3 2 5 3 4 5 5 1 1 5
5 5 5 1 1 1 5 1 5 5 5 5 1 5 5 5 5 5 5 5 5 5 1 5
5 5 5 5 5 5 5 5 5 5 1 1 5 5 5 1 5 2 5 5 5 1 1 5
1 5 5 5 5 5 5 5 1 2 1 5 1 5 1 1 5 3

STUDENT NO. 54

3 4 3 3 4 2 5 2 4 5 5 1 3 3 3 1 1 5 5 1 5 1 1 1
2 3 5 3 2 2 5 5 2 3 5 4 5 3 3 5 5 2 1 3 3 3 1 5
2 3 3 2 4 3 3 3 3 3 3 3 2 4 2 2 1 1 3 2 3 1 2 3
3 4 2 3 1 4 3 2 2 1 3 2 2 1 2 3 2

STUDENT NO. 55

4 5 2 4 1 1 5 2 2 5 4 1 4 4 1 2 1 1 5 2 2 3 3 1
2 3 2 1 2 1 3 1 4 3 3 2 2 4 3 3 2 2 3 2 4 2 1 3
2 2 3 2 5 4 2 3 2 1 1 2 3 2 2 1 1 2 4 2 4 1 4 4
2 5 1 3 2 1 3 2 1 4 1 1 2 2 2 2 2

STUDENT NO. 56

3 1 5 3 4 3 5 3 3 1 1 1 1 1 3 5 3 5 1 3 5 1 1 1
1 5 3 1 1 3 3 1 3 5 1 3 3 2 4 3 4 2 3 5 4 3 1 3
4 5 3 2 1 5 2 4 2 1 1 1 3 5 3 2 2 3 4 3 5 2 4 4
3 5 5 1 4 4 1 4 5 1 3 1 3 1 1 2 3

STUDENT NO. 57

2 2 3 4 1 2 5 1 2 5 1 1 1 4 1 1 3 1 5 1 1 3 3 1
1 1 2 1 1 1 5 1 2 3 4 3 2 1 1 2 1 1 3 1 5 1 3 1
2 3 2 3 3 2 1 2 1 1 1 1 2 1 1 1 1 1 1 2 3 1 3 3
1 3 4 1 1 1 3 3 1 4 1 1 1 1 1 1 1 1

STUDENT NO. 58

2 3 4 3 2 2 5 2 3 5 4 3 1 2 3 1 1 2 5 1 2 1 3 2
2 3 4 1 1 1 5 4 2 4 2 3 4 2 2 3 2 2 3 1 3 2 3 2
4 3 3 2 4 4 1 4 3 2 1 2 2 3 3 2 2 2 3 4 2 2 4 4
3 4 2 3 4 2 2 4 4 4 1 1 1 1 1 1 1 1

STUDENT NO. 59

5 4 1 2 1 1 4 3 1 5 4 2 4 2 2 1 1 2 5 2 2 1 1 1
1 2 2 1 1 1 4 5 2 1 4 4 2 1 2 2 2 4 4 1 4 1 1 2
4 2 4 2 5 4 1 4 2 1 1 1 1 2 2 1 1 5 4 1 2 1 5 5
1 5 1 3 1 5 1 2 4 1 3 1 2 1 1 1 1 1

STUDENT NO. 60

4 2 3 2 2 2 4 3 3 4 5 2 4 2 2 1 2 1 5 2 2 2 3 1
1 2 1 1 1 2 1 1 1 2 5 1 2 1 2 3 2 1 2 2 5 1 4 1
1 1 2 2 1 2 2 4 1 1 1 1 1 2 2 2 1 1 1 1 2 2 3 4
1 5 5 3 1 1 4 4 1 2 1 1 1 1 1 1 1 2

STUDENT NO. 61

4 3 4 2 2 2 3 3 3 4 1 2 3 1 2 2 1 4 5 3 2 2 2 1
1 2 3 1 1 1 3 1 3 3 2 2 2 2 3 2 3 3 4 2 2 2 1 3
3 3 5 3 5 3 3 3 2 2 2 2 2 5 2 2 2 2 4 2 5 2 2 3
2 5 3 2 2 1 2 1 1 3 3 2 2 2 3 2 3

STUDENT NO. 62

5 3 4 5 3 3 3 3 3 4 5 4 2 4 3 2 2 3 4 3 3 1 3 2
2 3 4 2 3 2 4 3 3 3 3 4 4 3 3 3 3 4 3 5 2 1 4
4 4 5 4 4 3 4 4 4 2 1 3 3 3 3 2 2 4 3 2 5 1 4 3
1 5 2 3 2 2 3 3 3 3 3 3 3 2 1 3 3

STUDENT NO. 63

1 4 3 4 1 2 5 2 2 4 4 4 3 5 2 1 1 1 5 1 4 3 3 3
1 2 3 1 1 1 3 5 3 3 2 1 3 2 2 4 3 2 5 5 5 3 1 2
3 4 5 5 5 2 1 5 3 3 1 2 2 3 1 2 1 5 4 1 5 2 5 5
2 5 3 3 3 5 4 1 2 3 2 1 1 2 1 1 2

STUDENT NO. 64

2 4 2 2 2 4 4 2 2 1 1 1 1 1 2 4 2 2 3 4 3 2 1 1
1 4 2 2 2 1 5 3 4 4 4 2 4 4 3 3 4 4 2 2 5 4 2 2
5 5 5 5 3 5 2 4 5 1 1 3 1 5 5 5 5 5 5 2 2 5 5 5
2 2 1 1 1 1 5 5 1 5 5 5 5 5 1 1 3

STUDENT NO. 65

5 5 2 1 1 2 5 1 2 5 3 1 1 1 1 1 1 1 4 1 3 2 3 2
2 2 2 1 2 1 3 1 2 4 2 2 3 2 2 3 2 2 2 3 4 3 4 2
2 2 2 2 3 2 2 3 2 2 2 4 3 2 4 3 1 2 2 1 3 1 3 5
1 5 3 2 3 2 5 2 1 1 1 1 1 1 1 1 5

STUDENT NO. 66

3 4 4 5 2 2 4 2 3 5 4 3 3 3 4 2 1 1 5 5 2 3 2 4
3 1 3 1 3 2 3 2 2 2 3 2 3 1 3 3 3 3 2 3 4 3 3 2
1 2 2 3 1 2 4 3 2 2 2 4 2 3 1 1 2 1 4 1 5 3 3 3
3 3 3 3 2 1 3 3 1 2 2 1 1 1 3 3 1

STUDENT NO. 67

5 1 4 3 2 4 3 2 3 1 1 3 1 1 2 1 2 2 5 2 5 1 1 1
1 5 1 1 1 1 5 5 5 5 5 5 2 5 2 5 5 5 1 2 5 1 1 2
2 2 4 4 2 5 2 4 4 1 1 1 1 3 1 1 2 3 4 3 2 1 2 5
1 5 3 3 3 3 1 1 1 3 1 1 1 1 1 1 1

STUDENT NO. 68

3 4 1 3 1 1 5 1 1 5 1 1 2 2 3 3 1 1 5 1 5 3 3 3
1 4 5 1 1 1 1 3 3 3 3 2 5 5 3 5 3 1 2 4 5 5 4 3
5 3 5 3 5 1 2 5 3 1 3 3 1 1 3 4 1 5 5 1 5 1 3 5
1 5 3 3 3 4 1 3 4 3 1 1 1 2 3 3 5

STUDENT NO. 69

4 3 4 5 3 2 2 3 3 4 1 1 1 5 3 1 1 1 5 1 4 2 3 1
1 2 4 1 1 1 5 3 3 2 2 3 2 2 2 3 3 3 4 5 5 3 1 2
2 2 4 4 4 5 2 3 1 2 1 1 2 2 2 2 2 5 4 1 5 2 5 5
1 5 1 1 1 1 5 1 1 3 1 1 1 1 1 1 1

STUDENT NO. 70

5 5 4 5 1 3 5 1 4 5 5 2 3 5 4 3 5 5 5 2 3 5 5 1
1 4 5 1 4 1 4 4 3 3 4 2 3 2 3 3 3 4 3 1 3 2 2 2
4 2 2 3 4 3 2 3 2 1 3 5 5 3 1 1 2 5 5 2 2 1 3 3
1 1 1 2 1 2 4 4 1 4 3 1 1 2 2 2 3

STUDENT NO. 71

4 3 4 5 3 3 4 3 3 3 1 3 2 3 3 2 3 3 4 3 3 2 3 2
2 3 3 2 3 3 3 3 3 3 4 3 4 3 3 3 3 3 4 3 2 4 2 3
3 3 3 3 4 3 2 3 3 3 2 3 3 3 3 2 3 4 2 4 2 4 4
2 4 3 3 2 2 3 3 3 3 3 2 2 2 1 3 3

STUDENT NO. 72

3 1 2 5 1 2 5 2 2 5 2 1 3 4 2 1 2 2 5 2 1 3 3 2
1 2 3 1 1 1 3 5 4 3 4 2 3 2 2 3 3 3 4 5 2 2 3 1
2 2 1 3 3 3 1 3 2 2 2 1 2 1 1 3 1 1 1 3 3 1 3 5
1 4 3 3 2 1 3 3 1 2 1 1 1 1 1 1 2

STUDENT NO. 73

1 3 2 1 1 1 4 3 1 3 1 1 4 1 2 1 1 1 3 2 3 2 2 2
2 5 5 3 3 3 5 3 2 2 2 3 5 2 3 3 3 3 3 3 3 3 3 2
3 3 3 3 3 3 3 3 3 3 3 3 3 3 3 3 5 5 5 5 5 5 5
5 5 5 5 5 5 5 5 5 5 5 5 5 5 5 5

STUDENT NO. 74

5 3 1 3 1 1 5 2 2 5 4 2 4 3 2 2 1 2 4 1 2 1 2 3
3 2 4 1 1 1 4 2 3 2 2 4 4 2 3 3 3 4 2 2 4 4 1 4
4 3 5 2 5 4 1 3 2 1 1 3 2 1 1 1 2 5 5 1 4 1 5 5
1 5 1 5 5 2 5 5 1 4 1 1 1 1 1 1 5

STUDENT NO. 75

5 1 5 5 3 3 2 2 3 1 1 1 1 1 1 1 1 3 3 5 3 1 5 1
1 1 5 1 1 1 5 1 2 2 1 1 1 1 1 5 3 1 5 3 5 4 2 3
2 2 2 2 3 3 2 3 3 3 3 3 1 5 1 1 1 3 3 2 2 1 2 4
1 4 3 5 2 2 1 1 1 3 3 1 1 1 1 1 1

STUDENT NO. 76

4 4 4 2 2 2 4 3 3 2 2 2 2 4 3 2 2 2 4 2 2 2 4 4
2 2 2 2 2 2 4 4 2 2 2 3 2 2 2 2 2 2 2 2 2 4 2 4
2 2 2 2 4 2 2 3 2 2 2 2 2 2 2 2 1 2 2 2 2 1 2 3
2 4 2 3 2 1 4 1 1 2 1 1 1 1 1 1 2

STUDENT NO. 77

4 4 2 1 1 2 5 1 2 1 4 1 2 4 2 1 2 1 4 2 2 2 2 2
2 2 2 1 2 2 4 4 2 4 2 3 2 1 1 2 2 2 2 4 2 4 4 4
2 2 3 2 3 3 2 2 2 2 2 4 4 3 2 3 2 4 3 1 1 1 5 5
1 2 4 3 2 1 5 2 1 1 2 1 1 1 1 1 3

STUDENT NO. 78

2 5 2 3 2 2 5 3 2 5 3 2 5 5 2 1 1 1 5 3 1 1 2 1
1 1 2 2 2 2 4 4 1 2 4 1 5 1 2 1 2 2 4 3 4 1 4 1
2 1 2 2 3 2 1 3 1 3 2 1 2 2 3 2 1 1 1 1 3 3 3 3
3 4 3 3 1 1 4 4 1 2 3 1 1 1 1 1 3

STUDENT NO. 79

4 5 4 5 2 1 4 3 2 5 1 1 1 2 1 1 2 3 4 2 2 2 2 3
1 1 2 1 2 1 3 2 1 3 2 2 3 2 2 4 3 3 4 4 4 3 5 1
3 4 3 2 3 4 1 3 2 1 2 3 2 3 3 2 1 4 4 1 3 1 2 3
1 4 2 2 1 2 2 3 4 3 4 2 2 1 3 2 3

STUDENT NO. 80

5 1 5 5 5 5 1 5 5 1 1 1 5 1 5 1 5 1 1 5 1 1 1 3
1 5 5 1 1 1 3 1 3 5 1 3 5 1 3 3 1 3 3 3 5 5 1 3
4 1 4 2 1 3 1 4 1 1 1 3 5 4 2 1 2 5 5 2 3 3 3 3
2 5 4 2 2 2 4 1 1 3 5 1 1 1 1 3 3

STUDENT NO. 81

3 2 2 5 1 1 4 2 2 5 4 2 5 5 1 1 1 2 5 3 3 2 3 2
2 1 4 1 1 2 3 2 3 3 2 2 3 2 2 3 2 2 2 2 3 2 5 1
3 2 2 4 3 5 2 3 2 2 2 1 2 2 3 2 1 3 2 3 3 1 4 4
2 4 3 3 3 2 2 2 2 3 2 1 1 1 2 2 1

STUDENT NO. 82

3 5 4 5 2 4 4 3 3 3 1 5 1 1 2 1 4 4 2 4 4 2 2 2
1 1 4 1 1 1 5 4 2 1 2 1 1 1 1 3 1 1 3 3 1 1 5 1
1 1 3 4 2 4 1 3 1 1 1 1 1 1 1 1 1 2 2 1 1 1 4 4
1 3 2 2 1 1 1 1 1 1 1 1 1 1 1 2 2

STUDENT NO. 83

4 4 2 3 2 2 4 2 2 5 4 2 2 2 1 1 1 2 5 1 1 3 5 1
1 2 2 1 1 1 4 1 1 4 2 1 4 2 1 3 2 1 5 1 5 1 2 1
1 2 2 3 5 1 1 4 1 4 1 1 5 3 2 4 1 5 5 1 1 1 4 4
1 3 3 1 4 5 1 4 5 4 2 1 1 1 1 1 2

STUDENT NO. 84

4 2 4 5 2 2 4 3 3 4 3 1 1 1 4 2 2 3 5 5 1 3 3 1
1 2 4 1 1 1 4 3 2 3 3 2 2 2 2 2 2 3 3 2 2 2 4 2
2 4 3 2 4 4 1 3 1 1 1 1 1 1 1 1 1 5 4 1 2 1 4 4
1 2 2 2 2 2 3 2 2 4 2 1 1 1 1 1 2 1

STUDENT NO. 85

3 4 4 3 2 4 4 4 4 2 1 2 2 1 2 1 1 3 1 5 1 3 3 1
1 1 3 1 1 2 3 1 2 3 3 2 2 1 2 3 2 3 3 3 5 3 3 1
2 2 1 3 3 4 2 4 2 1 1 1 2 2 2 2 1 2 3 2 2 1 2 3
1 4 4 3 3 3 1 2 2 3 1 1 1 1 1 3 1

STUDENT NO. 86

3 4 2 3 2 4 4 2 2 5 1 3 1 1 2 5 5 1 4 5 2 2 4 2
2 3 5 1 1 1 3 3 2 3 4 2 4 1 2 3 2 2 4 4 4 3 5 2
2 2 2 3 3 4 2 4 2 2 2 1 2 2 2 2 1 4 2 1 1 1 5 5
1 2 3 1 1 2 1 1 2 2 1 1 1 1 1 2 2

STUDENT NO. 87

2 4 2 3 1 2 4 2 2 5 3 1 1 1 2 1 1 2 5 2 1 3 5 1
1 2 2 1 1 1 5 1 2 3 2 2 1 1 1 1 4 2 5 4 5 3 2 2
2 2 2 4 5 4 1 3 4 4 1 4 2 4 4 2 1 5 4 1 4 1 5 5
1 4 4 3 1 3 1 2 4 4 2 2 1 1 1 1 2

STUDENT NO. 88

1 3 5 5 2 3 3 3 3 5 5 1 5 1 3 2 1 3 1 5 2 1 1 1
1 1 3 1 1 1 5 5 3 4 4 2 4 1 3 4 2 1 5 3 5 1 2 1
3 4 4 4 4 5 3 4 2 1 2 1 3 2 3 3 1 5 2 2 2 1 5 5
1 3 1 2 3 3 2 1 3 4 1 1 1 1 3 3 2

STUDENT NO. 89

5 5 1 3 1 1 5 1 2 4 5 2 3 2 1 1 4 3 4 5 4 2 2 1
1 3 5 1 2 1 1 5 2 4 3 2 4 2 2 2 2 2 2 4 4 3 1 2
2 3 3 4 5 4 1 2 2 1 2 1 2 2 1 3 2 4 3 1 1 1 2 2
2 2 3 2 3 4 1 2 2 2 1 1 1 1 1 2 1

STUDENT NO. 90

3 4 3 3 2 2 4 3 3 3 4 1 2 4 2 1 2 3 4 4 2 3 3 1
1 2 3 2 2 1 3 3 2 3 2 2 2 2 2 2 3 2 3 3 3 2 2 4 4
2 3 2 3 3 4 2 3 3 3 3 3 3 3 3 3 3 3 3 3 3 1 2 4
1 4 4 2 4 4 3 2 2 2 3 2 2 2 2 2 4

STUDENT NO. 91

5	3	3	4	3	3	3	3	3	4	5	2	1	1	3	1	1	1	5	1	3	2	2	2
2	3	4	1	1	1	5	5	1	3	3	2	3	1	2	4	3	3	3	3	4	2	3	3
2	3	3	2	3	3	1	4	2	1	1	1	1	2	3	2	2	2	1	2	2	1	3	3
1	3	2	1	2	2	3	2	1	3	1	1	1	1	1	1	1							

STUDENT NO. 92

5	4	2	3	1	1	5	1	2	5	5	1	3	5	1	5	1	1	5	1	3	1	1	1
1	1	3	3	3	1	4	1	1	3	4	2	4	1	1	1	1	2	1	1	4	1	3	2
2	2	2	2	1	1	1	2	1	1	4	3	2	2	2	1	1	1	1	2	2	1	1	1
1	2	2	1	1	1	2	2	3	4	1	1	1	1	1	1	1							

STUDENT NO. 93

2	5	2	3	1	2	4	3	2	4	3	3	3	2	2	2	3	2	3	2	2	1	3	1
1	2	2	1	1	1	4	2	2	3	3	2	2	1	2	2	2	2	3	2	2	2	1	2
2	2	2	2	4	2	2	2	2	2	2	2	2	2	2	3	1	2	3	1	1	1	3	3
1	1	3	2	1	1	2	3	3	1	1	1	1	1	2	1	2							

STUDENT NO. 94

5	5	4	3	2	4	5	2	3	5	4	1	1	5	2	1	1	1	5	1	3	1	5	3
3	2	4	1	1	2	3	2	2	3	4	1	2	1	2	3	1	1	4	2	1	2	5	1
1	2	2	5	2	3	1	4	2	2	1	2	1	2	2	3	1	2	2	1	1	1	3	1
1	1	5	3	3	1	1	1	1	5	5	1	1	1	1	1	1							

